



# INSTRUCTIONS

J03290

2004-03-08



## HANDLEBAR CLAMP BOLT COVER KIT

### GENERAL

#### Kit Number

94413-04

#### Models

For model fitment information, see the P&A retail catalog or the Parts and Accessories section of [www.harley-davidson.com](http://www.harley-davidson.com) (English only).

#### NOTE

A Service Manual for your model motorcycle is available from any Harley-Davidson dealer.

#### ▲ WARNING

Rider and passenger safety depend upon the correct installation of this kit. Use the appropriate service manual procedures. If the procedure is not within your capabilities or you do not have the correct tools, have a Harley-Davidson dealer perform the installation. Improper installation of this kit could result in death or serious injury. (00333b)

### INSTALLATION

1. See Figure 1. Obtain the socket head handlebar clamp cover assemblies (1) from the kit.
2. Position covers over handlebar clamp bolt heads and press into place using hand force only. (Bolts are already centered in hole) If one or more covers do not snap into position:
  - Take a socket head bolt cover assembly (1) and set it in place on a socket head bolt. Do not press it on at this time. Be sure there is clearance around the socket head cover outside diameter and the inside diameter of the clamp hole and that the bolt is centered.
  - Loosen the 5/16 inch socket head clamp bolt (2) only if needed to adjust for proper center clearance. See the Service Manual for the instructions given to tighten the clamp bolts for your model motorcycle.
  - Press all the clamp bolt cover assemblies in place.

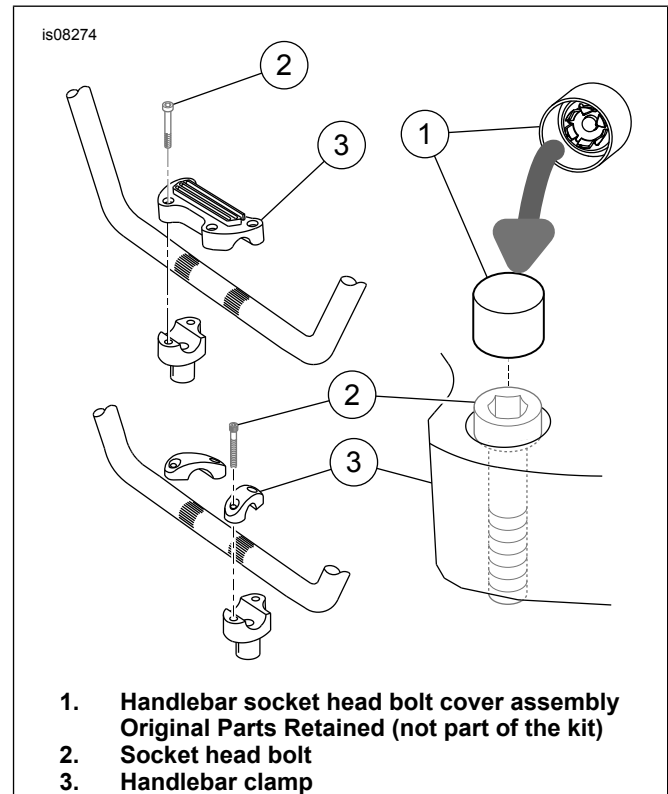


Figure 1. Handlebar Clamp Bolt Cover