



INSTRUCTIONS

J02719

2013-11-01



DYNA CHROME COIL COVER KITS

GENERAL

Kit Numbers

31705-04, 31709-04

Models

For model fitment information, see the P&A retail catalog or the Parts and Accessories section of www.harley-davidson.com (English only).

Kit Contents

See Figure 1 and Table 1.

▲ WARNING

Rider and passenger safety depend upon the correct installation of this kit. Use the appropriate service manual procedures. If the procedure is not within your capabilities or you do not have the correct tools, have a Harley-Davidson dealer perform the installation. Improper installation of this kit could result in death or serious injury. (00333b)

NOTE

This instruction sheet references Service Manual information. A Service Manual for your model motorcycle is required for this installation and is available from a Harley-Davidson Dealer.

INSTALLATION

1. See the Service Manual. Remove the maxi-fuse.
2. Note the position of each spark plug wire in the ignition coil, then disconnect the two wires.
3. **If there is an existing coil cover:** Remove and discard the coil-cover mounting screws and spacers. Remove and discard the coil cover. **If there is not an existing coil cover:** Remove and discard the two coil mounting screws.
4. See Figure 1. Obtain the coil cover bracket (3), two long screws (4) and two spacers (2) from the kit.
5. Insert the screw into one of the holes in the bracket as shown, through a spacer, and into a coil mounting hole. Repeat with the second screw and spacer.
6. Assemble the coil to the electrical caddy with the two screws. Tighten the screws to 50 in-lbs (5.6 Nm).
7. Obtain the new chrome coil cover (1) from the kit. Position the cover over the coil, and fasten to the coil cover bracket with the three chrome screws (6) and washers (7) from the kit. Do not fully tighten the screws at this time.
8. Connect the spark plug wires through the holes in the side of the coil cover onto the correct coil terminals.

9. Adjust the cover to center the spark-plug wire boots in the coil cover holes for best appearance. Tighten the three chrome screws securely.
10. See the Service Manual. Install the maxi-fuse.

Service Parts

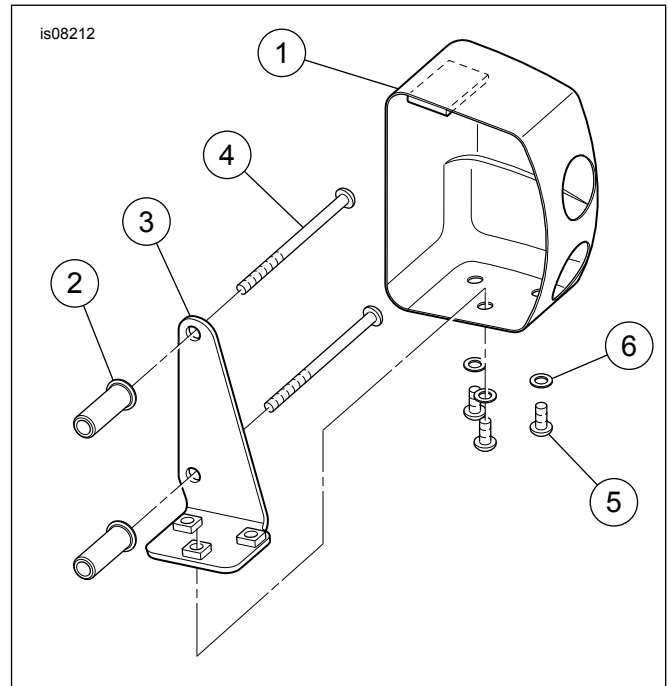


Figure 1. Service Parts

Table 1. Service Parts

Item	Description (Quantity)	Part Number
Kit number 31705-04 (Carbureted)		
1	Cover, coil (Chrome)	Not sold separately
2	Spacer, coil cover (2) 1.30 in. (33 mm) long	Not sold separately
Kit number 31709-04 (EFI)		
1	Cover, coil (Chrome)	Not sold separately
2	Spacer, coil cover (2) 0.93 in. (23.6 mm long)	Not sold separately
Parts common to both kits		
3	Bracket assembly, coil cover	Not sold separately
4	Screw, 3-1/2 in long (2)	Not sold separately
5	Screw, Chrome, 3/8 in long (3)	62915-01
6	Washer, Chrome (3)	94062-03