



INSTRUCTIONS

J02722

2007-02-15



AXLE PINCH NUT AND WASHER KIT (CHROME)

GENERAL

Kit Number

45802-03

Models

For model fitment information, please see the P&A Retail Catalog or the Parts and Accessories section of www.harley-davidson.com (English only).

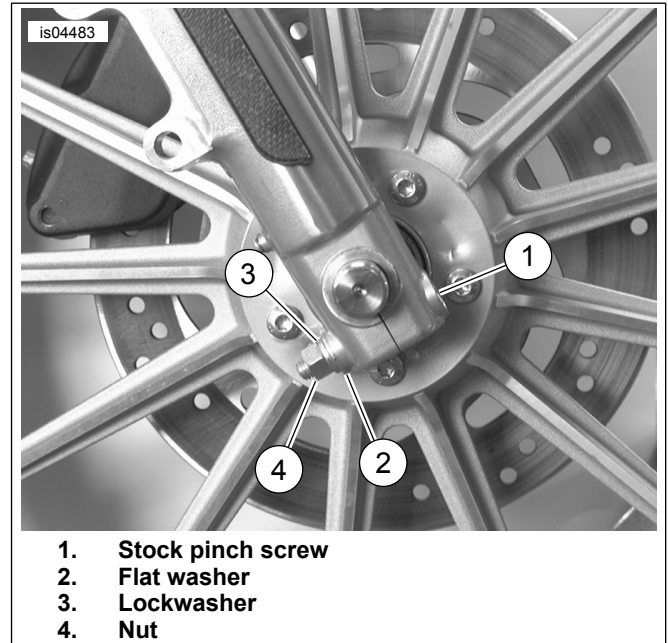
NOTE

A Service Manual for your model motorcycle is available from a Harley-Davidson Dealer.

Kit Contents

Table 1. Kit Contents

Description (Quantity)	Part Number
Flat washer (chrome)	94067-90T
Lockwasher (chrome)	94082-90T
Nut (chrome)	Not Sold Separately



1. Stock pinch screw
2. Flat washer
3. Lockwasher
4. Nut

Figure 1. Front Axle Pinch Screw

INSTALLATION

1. Secure the front wheel of the motorcycle.
2. See Figure 1. Remove the hex nut (4), lockwasher (3) and flat washer (2) clamping the front axle to the right-side fork slider tube.
3. Assemble the chrome flat washer, lockwasher and nut from the kit to the stock socket-head screw (1), and tighten to 28–37 N·m (21–27 ft-lbs).