



INSTRUCTIONS

J02451

2007-08-10



SOFTAIL REAR AXLE NUT COVER KIT

GENERAL

Kit Number

44254-01, 44255-01, 44256-01

Models

For model fitment information, please see the P&A Retail Catalog or the Parts and Accessories section of www.harley-davidson.com (English only).

Additional Parts Required

This instruction sheet references Service Manual information. A Service Manual for your model motorcycle is required for this installation and is available from a Harley-Davidson Dealer.

Kit Contents

See Figure 1 and Table 1.

INSTALLATION

NOTE

Inside each axle nut cover is a LH or RH inscription for the left-hand and right-hand side of the vehicle to which the covers fasten.

The **shorter** axle nut cover mounts on the right-hand side of the vehicle, and the **longer** cover on the left.

On a bike that has been previously serviced, check to ensure that the axle has not been removed and re-installed from the left side (with the castle nut on the right side of the wheel).

If it has, the axle **MUST** be re-installed from the right side of the motorcycle. See **REAR WHEEL: REMOVAL and INSTALLATION** in the Service Manual for procedure.

1. See Figure 1. Partially install a set screw (3) into the threaded hole in each axle nut cover (1, 2).
2. Position each axle nut cover over the appropriate axle nut. The notch in each cover fits over the axle-adjusting screw.
3. Adjust the position of the exhaust system as necessary to provide axle nut clearance.
4. Tighten the axle nut-cover set screws (3) to 7–9 N·m (70 in-lbs).

NOTE

The set screws in this kit are treated with a thread-locking compound. When replacing or re-installing the set screws, apply Loctite® 243 (Blue) Threadlocker (Harley-Davidson Part Number 99642-97) to the set screw threads.

SERVICE PARTS

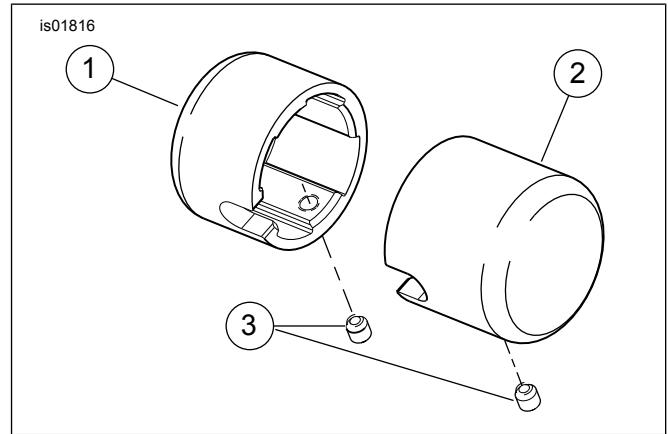


Figure 1. Service Parts: Softail Rear Axle Nut Cover Kit

Table 1. Service Parts: Softail Rear Axle-Nut Cover Kit

Item	Description (Quantity)	Part Number
1	Axle-nut cover, right side	Not Sold Separately
2	Axle-nut cover, left side	Not Sold Separately
3	Set screw, 1/4-20 x 1/4 inch (2)	3234W

