



INSTRUCTIONS

J01738

2007-09-25



SOFTAIL FRAME INSERTS / PIVOT BOLT COVERS

GENERAL

Kit Number

48452-00

Models

For model fitment information, please see the P&A Retail Catalog or the Parts and Accessories section of www.harley-davidson.com (English only).

Kit Contents

See Figure 1 and Table 1.

INSTALLATION

1. Use rubbing alcohol to clean the frame surface, pivot bolt, and pivot nut.

2. Place the larger left-side pivot cover (6) over the pivot nut. Position the set screw (5) at the bottom of the cover. Torque the screw to 1.8 N·m (16 in-lbs).
3. Remove adhesive backing from the inside of the right side pivot-bolt cover (4). Press the pivot bolt cover into position.
4. Remove adhesive backing and apply the left side adhesive (7) to the inside of the left-side trim plate (2).
5. Remove adhesive backing and apply the left side adhesive to the depression in the frame. Apply pressure to the trim plate and adhesive on the frame for one minute.
6. Repeat Steps 4 and 5 for the right side of the frame.

SERVICE PARTS

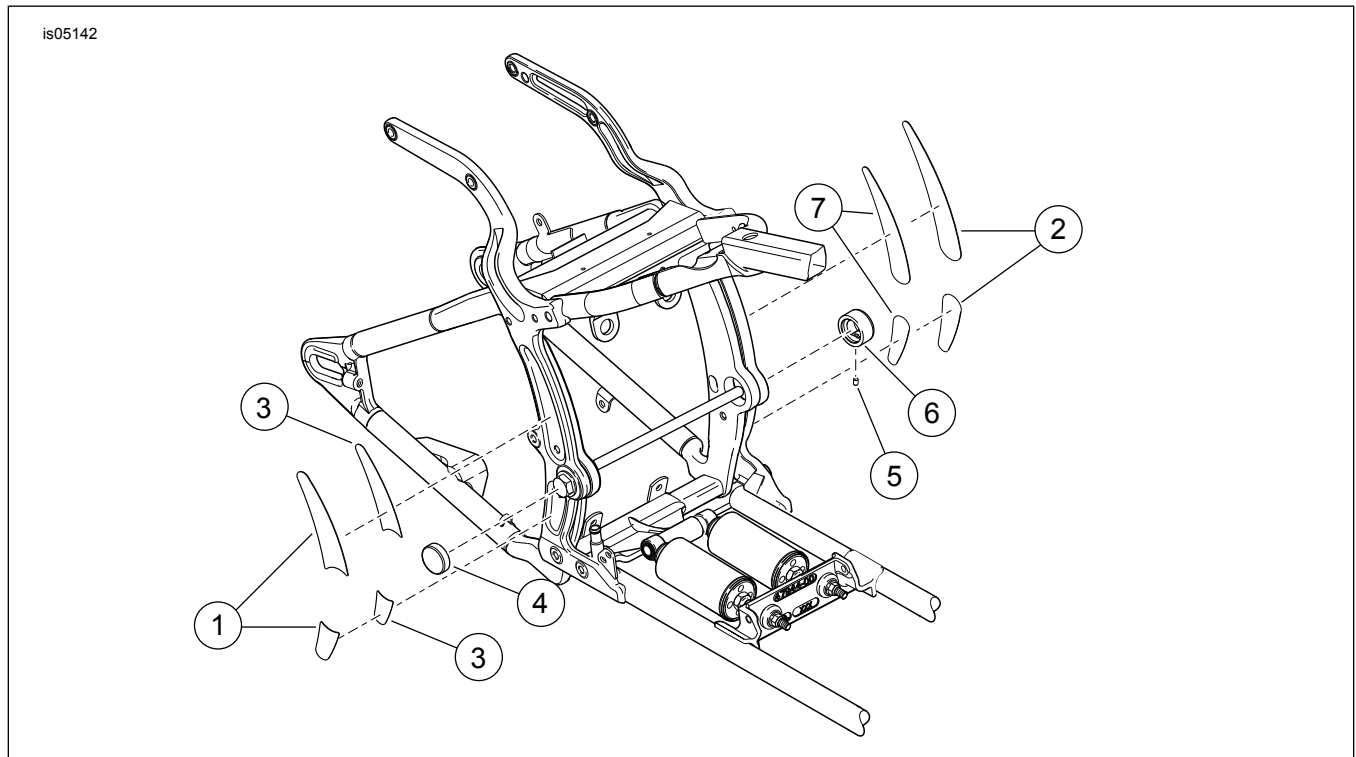


Figure 1. Service Parts: Softail Frame Inserts and Pivot Bolt Covers

Table 1. Service Parts: Softail Frame Inserts/Pivot Bolt Covers

Item	Description (Quantity)	Part Number	Item	Description (Quantity)	Part Number
1	Right side trim plates	Not Sold Separately	5	Set screw	3229
2	Left side trim plates	Not Sold Separately	6	Left pivot cover	Not Sold Separately
3	Right side adhesive	Not Sold Separately	7	Left side adhesive	Not Sold Separately
4	Right pivot cover	Not Sold Separately			