



# INSTRUCTIONS

J03709

2011-01-05



## DYNA DOCKING HARDWARE KIT

### GENERAL

#### Kit Number

53961-06

#### Models

For model fitment information, see the P&A Retail Catalog or the Parts and Accessories section of [www.harley-davidson.com](http://www.harley-davidson.com) (English only).

#### Additional Parts Required

If this kit is used on a motorcycle without saddlebags, Directional Relocation Kit, Part Number 53968-06C must also be used.

Proper installation of this kit requires the use of Loctite® 243 Threadlocker and Sealant - Blue (Part No. 99642-97).

#### Kit Contents

See Figure 1 and Table 1.

### INSTALLATION

#### Installing the Front Docking Point

##### ▲ WARNING

**To prevent accidental vehicle start-up, which could cause death or serious injury, disconnect negative (-) battery cable before proceeding. (00048a)**

1. Remove the seat and disconnect the negative (-) battery cable.

##### NOTE

*To keep the fender aligned, complete ALL the following procedures on one side of the motorcycle before starting the other side.*

2. See Figure 1. Remove the stock fender support bracket. Position **new** rear fender mounting bracket from kit (5) into position.
3. Apply Loctite 243 (Blue) to button head bolt (2) prior to installation. Place the tapered side of front docking point (1) against the strut cover. Insert button head bolt (2) through the docking point, fender support and fender. Tighten to 16.3–24.4 N·m (12–18 ft-lbs).
4. If used without saddlebags, install rear docking point (3) and recess cover (4) according to instructions in Part Number 53968-06C, Directional Relocation Kit. If used with saddlebags, mount rear docking point according to instructions with saddlebag kit.

### Maintenance

##### NOTE

*In time, the docking points may wear causing the mating luggage rack or sideplates to become loose. The fit may be tightened using the following procedure.*

*If any fasteners with Loctite are loosened, then the fasteners must be removed, cleaned of existing Loctite and re-installed with new Loctite.*

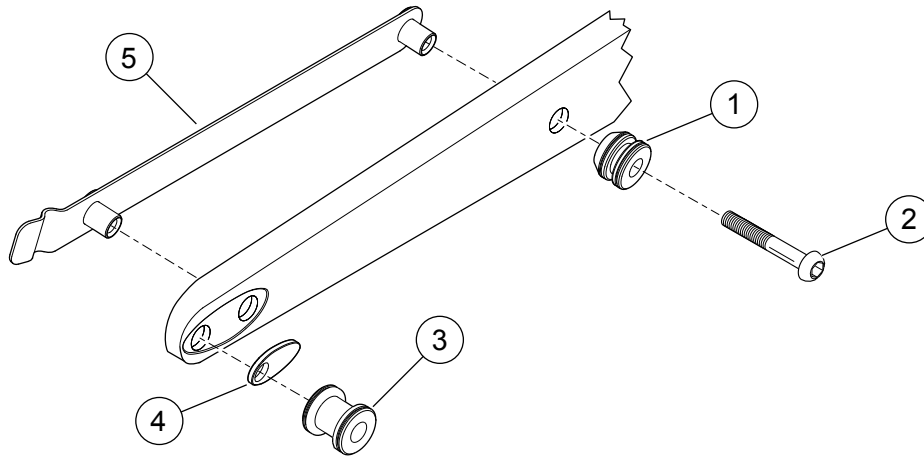
1. Loosen the docking hardware.
2. Rotate the docking points clockwise approximately 45°.
3. Tighten the docking hardware to the appropriate torque values as indicated in the installation procedures.

This procedure can be repeated up to 3 times before replacement of the docking points is recommended.



## SERVICE PARTS

is01150



**Figure 1. Service Parts: FXD and FXDL Docking Hardware Kit**

**Table 1. Service Parts Table: FXD and FXDL Docking Hardware Kit**

Item	Description (Quantity)	Part Number
1	Docking point, front (2)	53697-06
2	Bolt, button head, 3/8-16 x 1-3/4 in, chrome (2)	4203
3	Docking point, rear (2)	53684-96A
4	Recess cover (2)	47531-06
5	Bracket, rear fender mounting (2)	59421-06