



INSTRUCTIONS

J01796

2010-04-16



INSTRUMENT GAUGE BEZEL COVER KIT

GENERAL

Kit Numbers

74541-00, 74548-10

Models

Fits 11.7 cm (4 5/8 in) diameter gauges. For model fitment information, see the P&A retail catalog or the Parts and Accessories section of www.harley-davidson.com (English only)

Kit Contents

Table 1. Kit Contents

Quantity	Description
1	Bezel cover, for 11.7 cm (4 5/8 in) diameter gauge
1	Adhesive tape, double-sided

INSTALLATION

1. Clean the instrument bezel and bezel cover with a mixture of 50-70% isopropyl alcohol and 30-50% distilled water. Allow to dry thoroughly.
2. See Figure 1. Cut the tape (1) into five equal pieces.
3. Remove the paper liner from one side of the tape, and apply the tape to the front face of the gauge, pressing firmly into place. Space all five pieces equally as shown.
4. Remove the outer liner from the tape.
5. Place the bezel over the gauge, and press firmly into place.

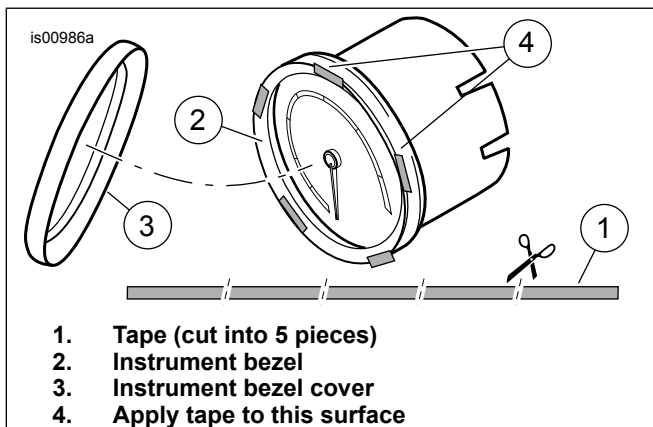


Figure 1. Chrome Instrument Bezel Installation