



INSTRUCTIONS

J03013

2015-06-25



XL UPPER BELT GUARD

GENERAL

Kit Number

60402-04A, 60379-09A, 60300045

Models

For model fitment information, see the P&A Retail Catalog or the Parts and Accessories section of www.harley-davidson.com (English only).

▲ WARNING

Rider and passenger safety depend upon the correct installation of this kit. Use the appropriate service manual procedures. If the procedure is not within your capabilities or you do not have the correct tools, have a Harley-Davidson dealer perform the installation. Improper installation of this kit could result in death or serious injury. (00333b)

NOTE

This instruction sheet references service manual information. A service manual for this year/ model motorcycle is required for this installation. One is available from a Harley-Davidson dealer.

There are no Service Parts available with this kit.

Removal

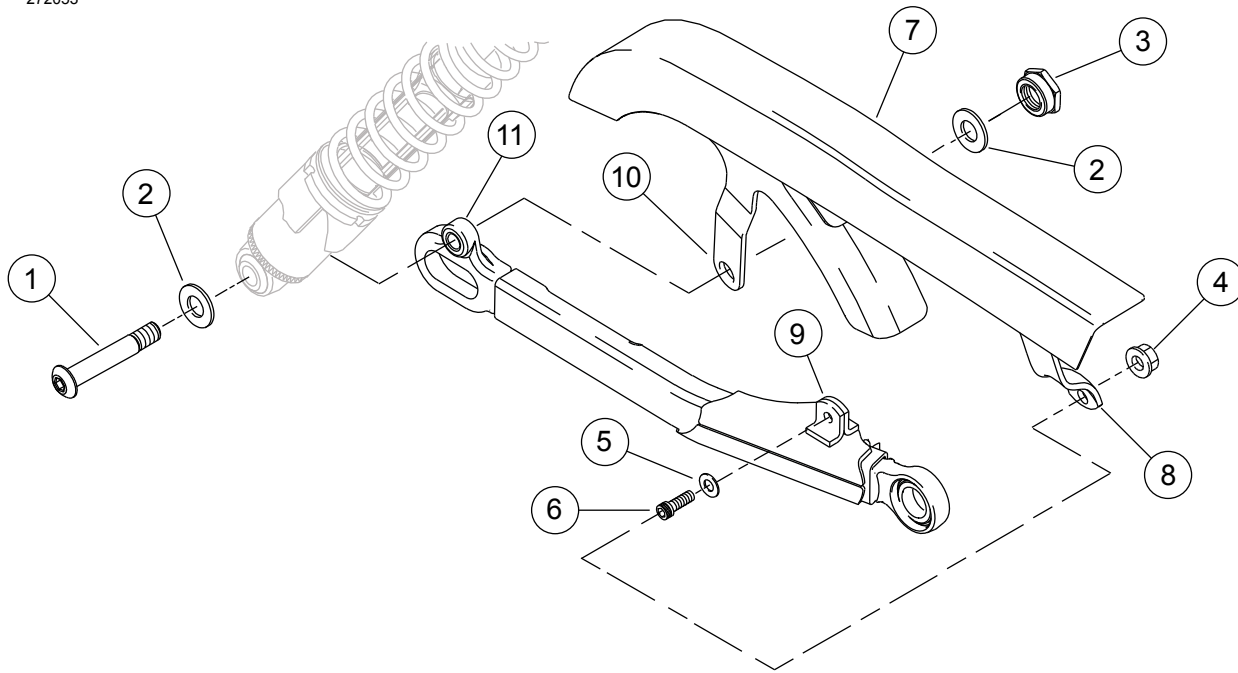
1. See Figure 1. Unthread right side lower shock absorber mount nut (3). Pull shock absorber mounting bolt (1) out slightly until it clears mounting tab hole in belt guard (7) but do not remove completely. Save nut for reinstallation.
2. At the front of the belt guard, remove bolt (6), washer (5) and nut (4). Save hardware for reinstallation.
3. Remove belt guard from vehicle.

Installation

NOTE

See Figure 1. When installing the new chrome belt guard, the front mounting tab (8) attaches to the outside of the swing arm mounting tab (9). The rear belt guard mounting tab (10) attaches to the inside of the shock absorber mount tab (11).

1. See Figure 1. Slide new belt guard (7) into place on vehicle.
2. Secure front of belt guard to rear swing arm with bolt (6), washer (5) and nut (4). Tighten to 13.6–20.3 N·m (120–180 in-lbs) .
3. Push lower shock absorber mounting bolt (1) through belt guard mounting hole. Thread nut (3) on bolt. Tighten to 61–68 N·m (45–50 ft-lbs).



- | | |
|--|----------------------------------|
| 1. Lower shock absorber mounting bolt (right side) | 7. Belt guard |
| 2. Washer | 8. Front mounting tab |
| 3. Mount nut | 9. Rear mounting tab |
| 4. Nut | 10. Rear belt guard mounting tab |
| 5. Washer | 11. Shock absorber mount tab |
| 6. Bolt | |

Figure 1. Upper Belt Guard Removal and Installation