



INSTRUCTIONS

J01810

2012-10-26



DETACHABLE LOCK KITS

GENERAL

Kit Numbers

90300047, 90300048

Models

For model fitment information, see the P&A Retail Catalog or the Parts and Accessories section of www.harley-davidson.com (English only).

Additional Parts Required

Separate purchase and installation of additional parts or accessories may be required for proper installation of this kit on your model motorcycle. See the P&A Retail Catalog or the Parts and Accessories section of www.harley-davidson.com (English only) for a list of required parts or accessories for your model.

NOTE

Use one latch per accessory installation. A second latch is included for an additional accessory.

Kit Contents

See Figure 3 and Table 2.

PREPARATION

1. Refer to Table 1 to determine which installation configuration to use based on model, year and type of detachable installed.

REMOVAL

1. Remove the detachable accessory by pressing the release button on each side and pull the latch levers back. Lift the rear of the accessory up and pull the rack off of the front docking points.
2. See Figure 1. Remove the screw (1) and washer (2) from the latch(es) to be replaced by the new locking latch. Save the screw and washer for installation. Depending on the accessory, there may be a second small washer below the screw, sticking to the accessory post. If equipped, save and reuse both washers. The following directions will assume there is only one washer.

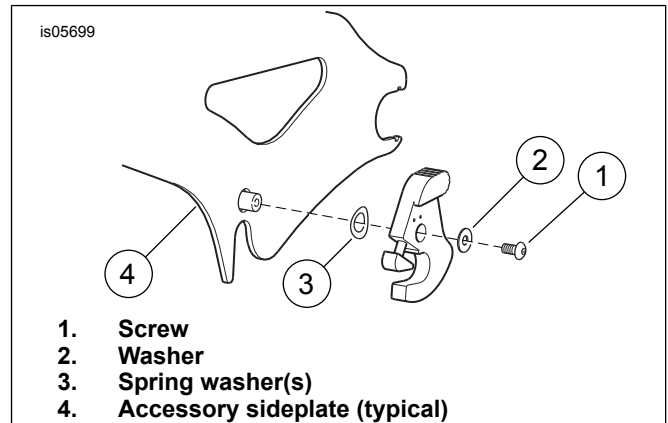


Figure 1. Remove Latch (outer left installation shown)

Table 1. Installation Table

Model	Fitment	Detachable*	Installation
Sportster	1994-2003	Sideplate kit	See Inner Right (relief hidden)
	1994-later	Solo rack kit	
Softail	1984-later	Sideplate kit	
	1984-later (except FXCW/C)	Solo rack kit	
	2006-later (except '11-later FLS & FXS)	One-piece sissy bar	
Dyna	1996-later (including '93-later FXDWG) (except '12-later FLD)	One-piece sissy bar	
	2006-later	One-piece sissy bar	
		Solo rack kit	

* For detachable part numbers, see the P&A Catalog.

INSTALLATION

See Figure 3. Depending on the installed detachable, the position of the relief (A) and undercuts (B) will be used as

spacers or docking point mounts. Verify that the locking latch is positioned so there is key access for unlocking the latch.

NOTE

Verify that the locking latch is in the unlocked position before installation. Do not leave the key inserted in the locking latch during assembly.

Detachable styles may vary from those shown in the illustrations.

Inner Right (relief hidden) Installation

1. See Figure 2. Remove right non-locking latch. Leave the right spring washer on the right mounting hub.
2. Install locking latch with relief facing right sideplate. Do not use the flat washer included with the kit.
3. Install stock screw and washer.
4. Tighten screw to 3.4–4.5 N·m (30–40 in-lbs).

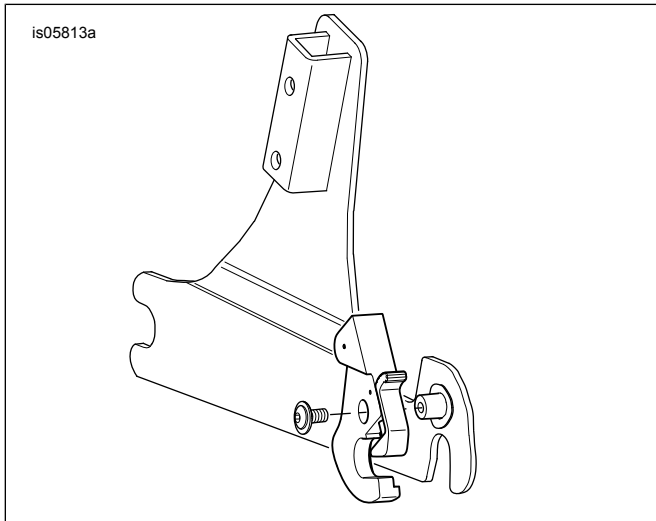


Figure 2. Sideplate Installation

OPERATION

Locking and Unlocking the Latch

NOTE

Make sure the key is not in the latch during installation of the detachable.

Key is not required to lock the latch.

1. **Locking the Latch:** See Figure 3. When the detachable is installed, push the spring-operated lock (C).

NOTE

Keep the key (3) aligned with the post of the release button (D) while unlocking the latch to avoid bending or breaking the key or the shaft.

2. **Unlocking the Latch:** Insert the key in the lock and turn it gently clockwise 1/8 of a turn. Turn the key counterclockwise 1/8 of a turn and remove the key.

SERVICE PARTS

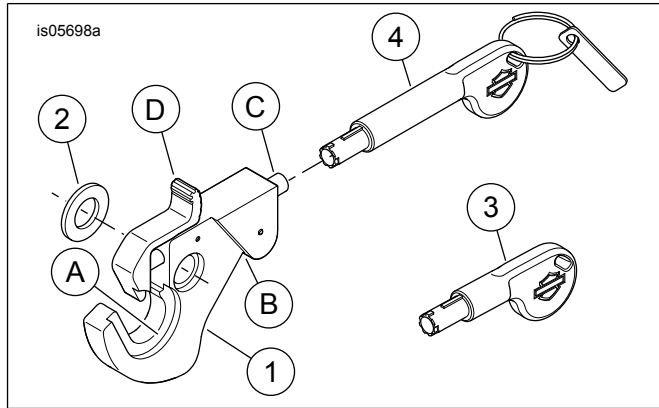


Figure 3. Service Parts: Detachables Lock Kits

Table 2. Service Parts: Detachables Lock Kits

Item	Description (Quantity)	Part Number
Kit Number 90300047		
1	Latch, locking, black (2)	Not Sold Separately
2	Flat washer (2)	Not Sold Separately
3	Key, short (1)	Not Sold Separately
4	Key, long (1)	Not Sold Separately
Kit Number 90300048		
1	Latch, locking, chrome (2)	Not Sold Separately
2	Flat washer (2)	Not Sold Separately
3	Key, short (1)	Not Sold Separately
4	Key, long (1)	Not Sold Separately
Items referenced in text:		
A	Relief	
B	Undercut (2)	
C	Lock, spring-operated	
D	Release button	

HARLEY-DAVIDSON KEY REPLACEMENT PROGRAM

Key Replacement

NOTE

Always separate the keys and the key tags, copy the key number in the space provided and store this document in a safe place.

Replacement keys can only be obtained through this program. Authorized replacement keys can be ordered by mail, fax or e-mail.

Verify that the original lock and key match either figure 4 or figure 5. The lock in figure 4 has an external lever and a molded key. The lock in figure 5 has no lever and a single loop key.

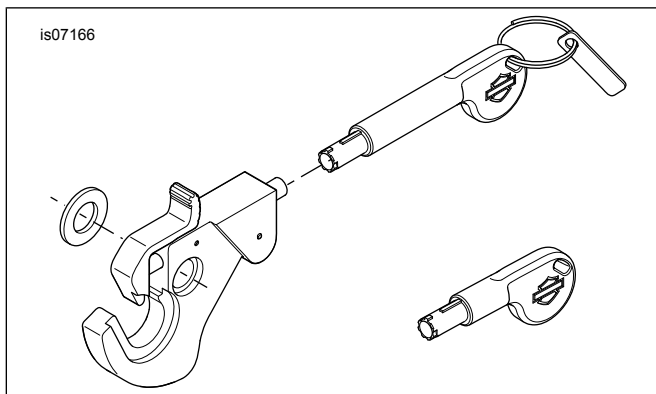


Figure 4. 90300047 & 90300048 Lock Kits

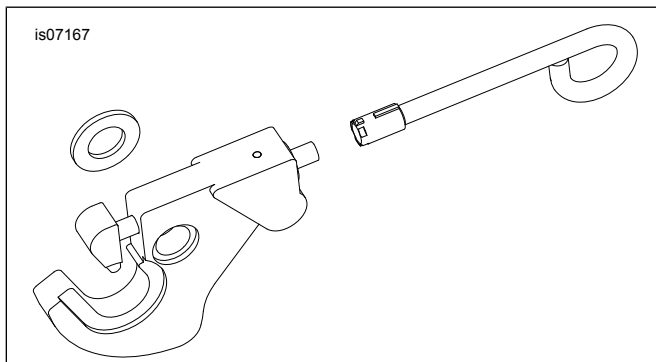


Figure 5. 46063-98 & 46106-00 Lock Kits

Order Keys by Mail: Complete all items on the Replacement Key Order Form and mail with payment to the address below.

Order Keys by Fax: Complete all items on the Replacement Key Order Form and fax to 847-537-1881. Include VISA[®] or MasterCard[®] number, full name on the card and expiration date.

Order Keys by Email: Scan the completed Replacement Key Order Form or include all items in the message body and e-mail to sales@illinoislock.com. Include VISA[®] or MasterCard[®] number, full name on the card and expiration date.

Replacement keys are sold in pairs. (One short key and one long key rung together.) The cost is \$12.00 for the pair which includes shipping and handling.

International customers: Email sales@illinoislock.com before ordering.

Harley-Davidson Key Number: _____

Lock Set: 90300047/90300048 -or- 46063-98/46106-00

Purchase Date: _____

Table 3. Replacement Keys

Harley-Davidson Replacement Key Order Form (Please Print)		
Name:		
Address:		
City:	State:	Zip Code:
International Address:		
Province:	Country:	Postal Code:
Lock Kit (check one): <input type="checkbox"/> 90300047/90300048/90300086/90300087 (figure 4)-or- <input type="checkbox"/> 46063-98/46106-00 (figure 5)		Key Number:
Signature:		Date:
Authorized Harley-Davidson dealership where lock was purchased:		
Dealership Name:		Date of Purchase:
City:	State:	Zip Code:
Mail completed form to:	Harley-Davidson Key Replacement Program c/o Illinois Lock Company 301 West Hintz Road Wheeling, IL 60090 USA	