



# INSTRUCTIONS

J03631

2015-06-04



## TOUR-PAK KIT

### GENERAL

#### Kit Number

53018-04B, 53055-05A, 53057-07A, 53147-98C, 53690-06A, 53092-08A, 53209-09, 54114-10, 53000048

#### Models

For model fitment information, see the P&A Retail Catalog or the Parts and Accessories section of [www.harley-davidson.com](http://www.harley-davidson.com) (English only).

#### Installation Requirements

Kit 53057-07A requires separate purchase of Leather Tour-Pak® Lock Kit 54360-05.

International models may require separate purchase of License Plate Relocation Kit 60095-00A, available from any Harley-Davidson dealer.

#### Kit Contents

See Figure 3 and Table 2 for the kit contents.

#### NOTE

A service manual for your motorcycle is available from your Harley-Davidson dealer.

#### ▲ WARNING

**Do not exceed Tour-Pak weight capacity. Too much weight can cause loss of control, which could result in death or serious injury. (00401c)**

#### NOTE

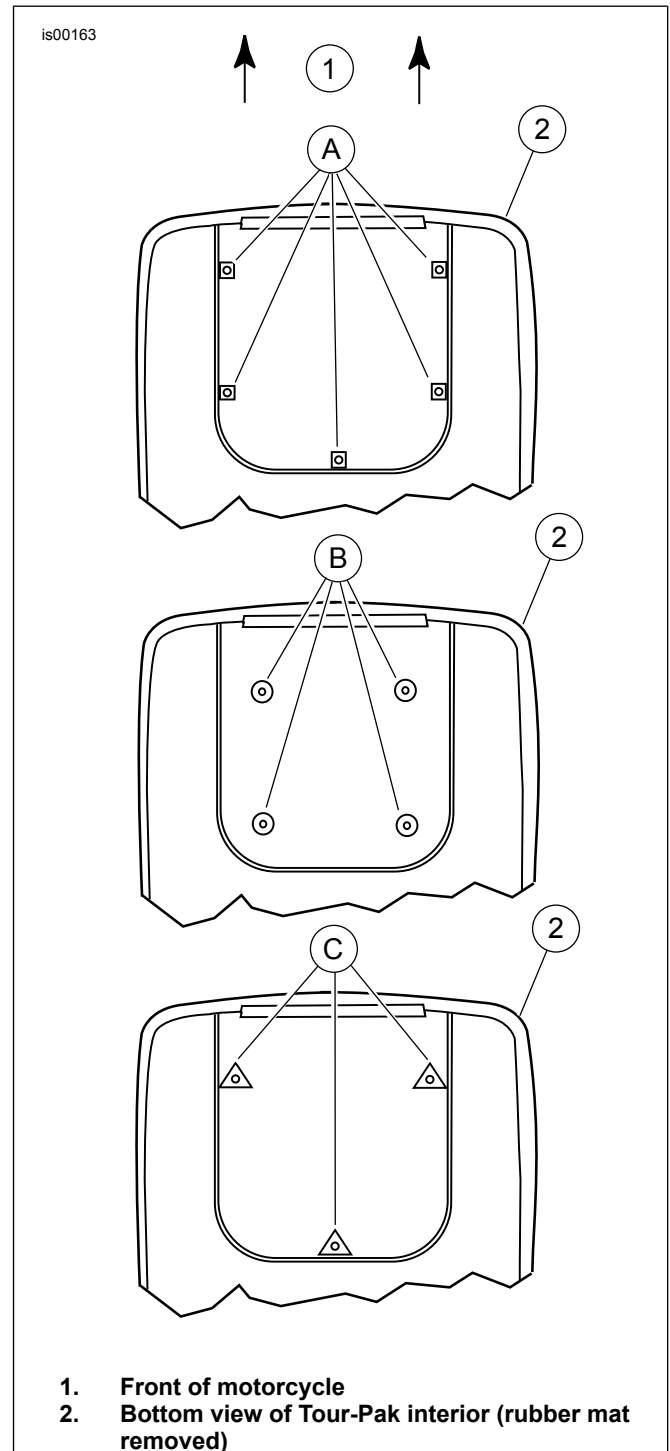
The luggage rack weight capacity is 25 lbs (11.34 kg).

### INSTALLATION

1. Remove the rubber mat from the bottom of the Tour-Pak.
2. See Figure 1 and Table 1 to determine the proper hole configuration to attach the Tour-Pak to the luggage rack. Holes will be drilled as explained in Step 3 in the hole location for the luggage rack.

#### NOTE

Drilling holes in Tour-Pak without wood underneath each hole site may result in the leather becoming damaged during the drilling process.

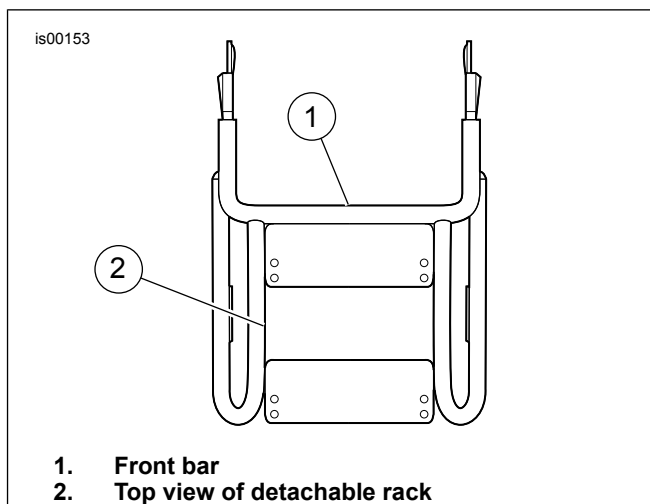


1. Front of motorcycle
2. Bottom view of Tour-Pak interior (rubber mat removed)

Figure 1. Hole configurations for Tour-Pak attachment



3. Place blocks of wood underneath the Tour-Pak where the holes will be drilled to prevent damage to the leather while drilling. Use the pre-drilled holes in the metal base as a guide and carefully drill the holes through the leather in the proper location using a 11/32 inch drill bit.
4. See Figure 2. **For detachable luggage racks 53066-06C and 54081-08:** Install black cover tube to the front bar (1) of the luggage rack, as shown. This tube is used to provide a cleaner look. The black cover tube is not for use with other luggage racks.
5. Attach Tour-Pak to rack using the mounting screws provided in the Luggage Rack kit. Put bolt through from inside of Tour-Pak. Tighten screws to specifications found in the Luggage Rack kit.
6. Place the black rubber mat on the bottom of the Tour-Pak.
7. If luggage rack was removed, attach to motorcycle according to kit instructions or service manual instructions.
8. When installing this accessory the steering head bearing must be adjusted per service manual.



**Figure 2. Detachable luggage rack (typical)**

**Table 1. Luggage Rack and Hole Configurations**

Luggage Rack	Hole Configuration
Stock 1997	<b>C</b> (3 holes)
Detachable luggage rack 53107-96	<b>B</b> (4 holes)
Luggage rack 53118-97A and luggage rack 53118-98	<b>A</b> (5 holes)
Stock 1998 - 2008 racks	<b>A</b> (5 holes)
Detachable Tour-Pak rack 53276-04	<b>A</b> (5 holes)
Solo detachable Tour-Pak rack 53655-04	<b>B</b> (4 holes)
Detachable Tour-Pak rack 53066-06C, 54081-08	<b>B</b> (4 holes)
Solo detachable Tour-Pak rack 53559-04A	<b>B</b> (4 holes)
Solo detachable Tour-Pak rack 53260-02	<b>A</b> (5 holes)
Stock racks, 2009 and later	<b>B</b> (4 holes)
Detachable Tour-Pak rack 53276-09	<b>B</b> (4 holes)
Solo detachable Tour-Pak rack 53260-09	<b>B</b> (4 holes)

## SERVICE PARTS

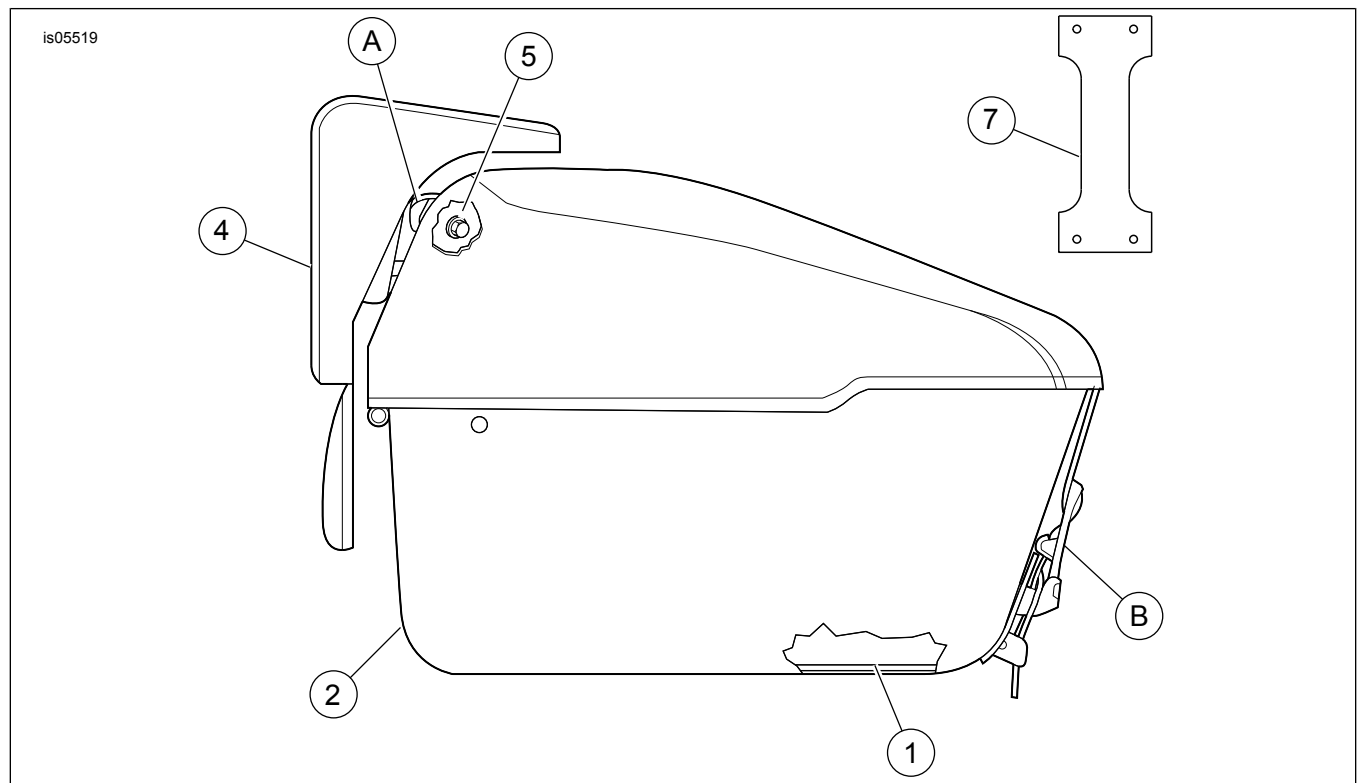


Figure 3. Service Parts: Leather Tour-Pak (Typical)

Table 2. Service Parts: Leather Tour-Pak

Item	Description (Quantity)	Part Number
1	Tour-Pak mat	53783-98
2	Tour-Pak	Not Sold Separately
3	Cover, Tube (not shown - for use with detachable luggage racks 53066-06C and 54081-08)	53784-98
4	Backrest pad (pre-installed) (use with Kit Number 53147-98C, 53690-06A, 53092-08A, 53057-07A, 54114-10 and 53000048)	52926-98
	Backrest pad (pre-installed) (use with Kit Number 53018-04B)	53019-04
	Backrest pad (pre-installed) (use with Kit Number 53055-05A)	51714-05
	Backrest pad (pre-installed) (use with Kit Number 53209-09, 53151-00A)	53153-00A
5	Flange nuts (6) (pre-installed inside Tour-Pak lid)	7716
6	Leather care kit (not shown) (not included with Kit 53055-05A or 53690-06A)	Not Sold Separately
7	Leather Straps (2) (use with Kit number 53057-07A) Install per the instruction sheet included with the Tour-pak lock kit.	Not Sold Separately
The following Service Kits are available:		
A	Isolator kit (3) (pre-installed, located behind backrest pad)	52192-86A
B	Buckle Assembly (use with Kit 53147-98C, 53092-08A and 53018-04B)	90425-98
	Buckle Assembly (use with Kit 53055-05A, 53690-06A, 53209-09, 54114-10 and 53000048)	53137-05
C	Concho Kit (not shown) (Use with Kit 53147-98C)	58633-98
	Concho Kit (not shown) (Use with Kit 53055-05A)	53160-06