



INSTRUCTIONS

J04149

2010-07-06



BACKREST PAD KIT

GENERAL

Kit Number

52631-07, 52300026

Models

For model fitment information, see the P&A Retail Catalog or the Parts and Accessories section of www.harley-davidson.com (English only).

Kit Contents

See Figure 1 and Table 1.

INSTALLATION

1. With your hand, feel through the backrest material to locate the mounting holes.
2. Carefully cut the clear plastic rain seal away from the screw holes in the backrest pad to prevent the plastic from catching in the screw threads.
3. See Figure 1. Secure the backrest to the sissy bar upright using the screws from the kit.
4. Tighten the screws to 4–7 N·m (35–60 in-lbs).

SERVICE PARTS

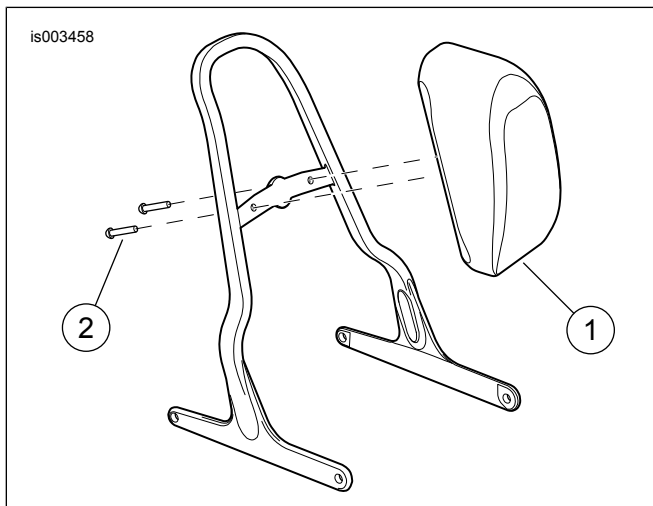


Figure 1. Service Parts: Backrest Pad Kit

Table 1. Service Parts

Item	Description (Quantity)	Part Number
1	Backrest pad	Not Sold Separately
2	Screw, Button head (2)	94385-92T