



INSTRUCTIONS

J04151

2010-03-17



XL SOLO SEAT KITS

GENERAL

Kit Number

51750-07, 51751-07, 54385-11, 54386-11

Models

Kits 51750-07 and 54386-11 fits 2007 and later XL50, XL883, XL883L, XL883R, and XL1200R.

Kits 51751-07 and 54385-11 fits 2007 and later XL883C, XL1200C, and XL1200L.

Additional Parts Required

⚠ WARNING

Rider and passenger safety depend upon the correct installation of this kit. Use the appropriate service manual procedures. If the procedure is not within your capabilities or you do not have the correct tools, have a Harley-Davidson dealer perform the installation. Improper installation of this kit could result in death or serious injury. (00333b)

NOTE

This instruction sheet references service manual information. A service manual for your model motorcycle is required for this installation and is available from a Harley-Davidson dealer.

Kit Contents

See Figure 4 and Table 1.

REMOVAL

NOTE

Avoid scratching the paint surfaces during the removal, and installation of the seat.

1. Remove the original seat according to the owner's manual instructions. Save the seat mounting screw for reinstallation with the new seat.

INSTALLATION

1. If the original seat was a dual type, remove the plastic plug from the front seat mounting hole (see Figure 1).

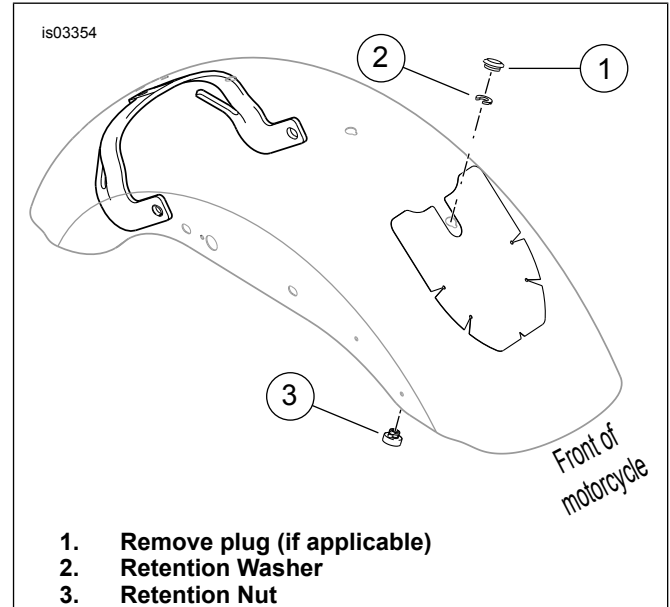


Figure 1. Seat Retention Nut and Washer Placement

2. See Figure 2. Install the retention nut and washer from the kit (as shown) in the front fender hole location. Using the cable strap as an installation tool:
 - a. Place the retention nut over the cable strap so that the wide end of the nut rests on the eye of the cable strap.
 - b. Thread the cable strap up under the fender and through the fender hole.
 - c. Pull up on the cable strap to hold the nut snug against the underside of the fender.
 - d. With the rib on the retention nut seated into the notch in the fender hole, slide the retention washer into place from the rear. This will lock the retention nut in place.

NOTE

The foam cushion of the seat needs to be compressed as the seat is slid forward to engage the post on the frame when the seat is dropped into place. When properly installed, the front tongue on the underside of the seat should fit snugly in the groove at the fuel tank rear mounting location, and the keyhole on the underside of the seat will lock the seat to the post on the frame.



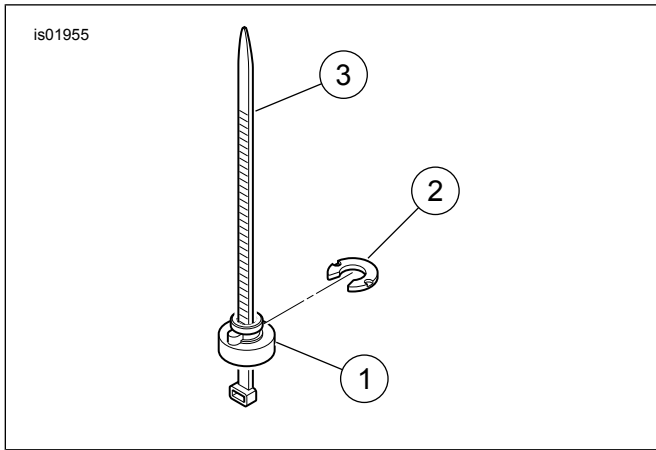


Figure 2. Installation Tool

3. See Figure 3. The seat is attached to the vehicle at three points. Angle the front of the new seat into place so that the tongue engages the slot at the rear of the fuel tank mounting location.
 - a. The tongue on the front of the seat fits under the rear fuel tank bracket.
 - b. The keyhole underneath the seat locks onto the seat post.
 - c. The rear mounting bracket attaches to a seat nut in the rear fender with a screw
4. Push the seat forward and rotate the rear of the seat downward until the seat contacts the frame. Flex the seat slightly.
5. Pull up on the center of the seat to verify that it is locked into place. (There will be a small amount of play, but the seat should only come up about a half an inch, and then will be held firmly in place by the post on the underside of the seat.

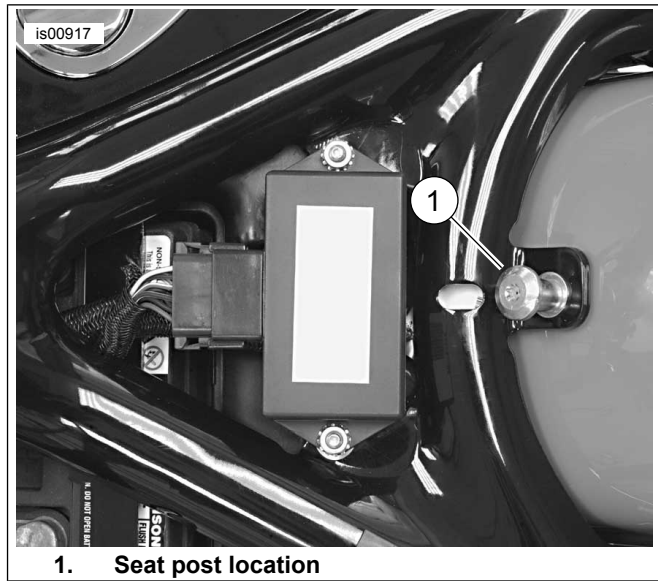


Figure 3. Seat Post

⚠ WARNING

After installing seat, pull upward on seat to be sure it is locked in position. While riding, a loose seat can shift causing loss of control, which could result in death or serious injury. (00070b)

6. Pull up on the front and rear of the seat again to verify that it is properly secured.

NOTE

The chrome cap is to be installed in the rear fender retention nut threads to enhance appearance.

SERVICE PARTS

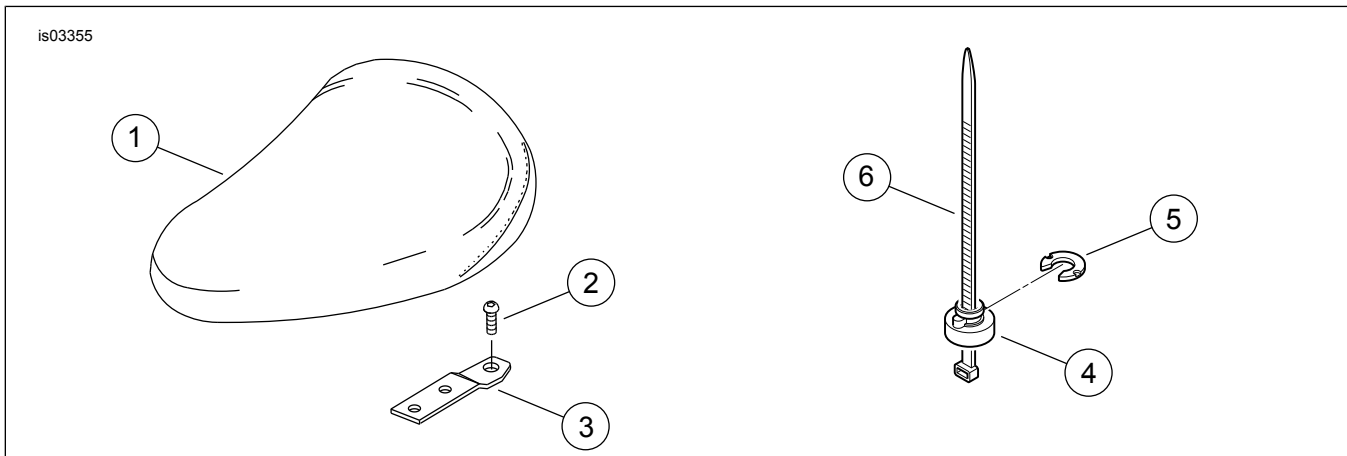


Figure 4. Service Parts: XL Solo Seat Kits

Table 1. Service Parts Table

Item	Description (Quantity)	Part Number
1	Solo seat	Not Sold Separately
2	Screw, mounting, stock seat	2952A

Table 1. Service Parts Table

Item	Description (Quantity)	Part Number
3	Bracket, mounting	51652-97
4	Nut, seat retention	Not Sold Separately
5	Washer, retention	Not Sold Separately
6	Strap, cable	10039
7	Cap, chrome (not shown)	762
The following service kits are available		
	Seat Nut Kit (includes 1 seat retention nut, and 1 retention washer)	59768-97