



INSTRUCTIONS

J01880

2007-02-15



BILLET STYLE PUSH ROD COVERS

GENERAL

Kit Number

18096-00A

Models

For model fitment information, please see the P&A Retail Catalog or the Parts and Accessories section of www.harley-davidson.com (English only).

Additional Parts Required

NOTE

For replacement parts, Service Kit Part Number 18182-01 is available for purchase at your Harley-Davidson Dealer.

⚠ WARNING

Rider and passenger safety depend upon the correct installation of this kit. Use the appropriate service manual procedures. If the procedure is not within your capabilities or you do not have the correct tools, have a Harley-Davidson dealer perform the installation. Improper installation of this kit could result in death or serious injury. (00333b)

NOTE

This instruction sheet references Service Manual information. A Service Manual for your model motorcycle is required for this installation and is available from a Harley-Davidson Dealer.

Kit Contents

See Figure 1 and Table 1.

REMOVAL

1. Following instructions in applicable Service Manual, remove existing pushrod covers. Save upper pushrod covers (A), springs (B) and flatwashers (C) for installation.

INSTALLATION

1. See Figure 1. Billet Style Pushrod Covers are installed exactly as original using instructions in applicable Service Manual however, note the following: Save the original upper pushrod covers (A), springs (B) and flat washers (C) and reinstall. Install new small O-rings (1), intermediate O-rings (2) and large O-rings (3) from kit to pushrod covers and lightly lubricate with clean engine oil prior to installation. Install the "plain" (non-grooved) side of the lower cover (4) toward the cylinder. Install the spring cap retainer (5) with "flared end" (D) securely seated inside of spring cap (6).

For Service or Removal

See Figure 1. Carefully press down on spring cap (6) and slip a small flat-bladed screwdriver into groove on flared end (D) of spring cap retainer (5). Flip retainer outward to remove it from the upper pushrod cover (A).



SERVICE PARTS

is04463

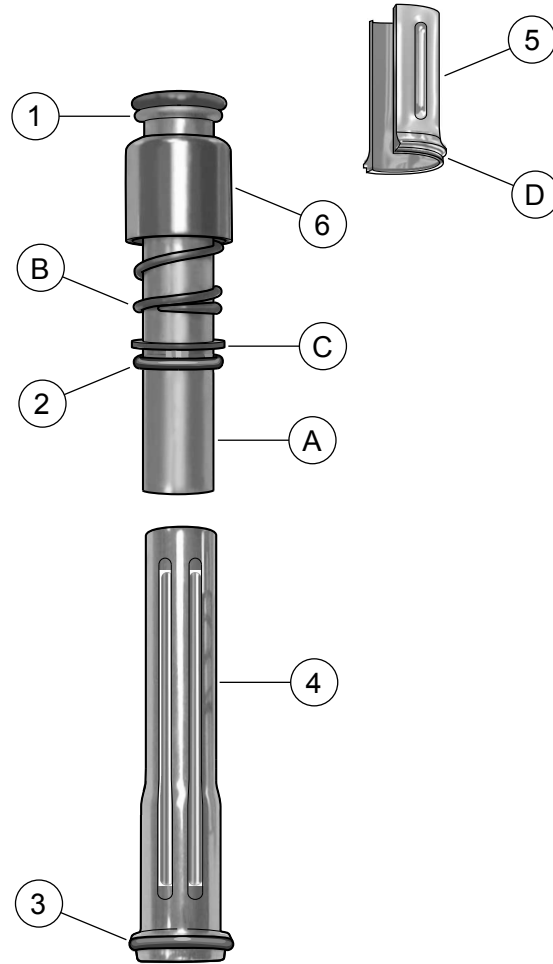


Figure 1. Service Parts: Billet Style Push Rod Covers

Table 1. Service Parts

Item	Description (Quantity)	Part Number
1	O-ring, small (4)	11293
2	O-ring, intermediate (4)	11132
3	O-ring, large (4)	11145
4	Push rod cover, lower (4)	Not Sold Separately
5	Retainer, spring cap (4)	Not Sold Separately
6	Spring cap (4)	Not Sold Separately
Items mentioned in text, but not included in kit.		
A	Upper push rod cover (4)	
B	Spring (4)	
C	Flat washer (4)	
D	Flared end, spring cap retainer (4) (reference only)	