



# INSTRUCTIONS

J03077

2017-01-12



## BACKREST PAD KIT

### GENERAL

#### Kit Numbers

52697-04, 52316-05, and 52408-07A

#### Models

For model fitment information, see the P&A Retail Catalog or the Parts and Accessories section of [www.harley-davidson.com](http://www.harley-davidson.com) (English only).

#### Installation Requirements

Installing this kit on a Harley-Davidson Detachables Passenger Sissy Bar Upright P/N 52610-09A and 54248-09A requires separate purchase of Billet Backrest Pad Mount P/N 53086-04 or Styled Backrest Pad Mount P/N 52825-05.

#### NOTE

*This instruction sheet references service manual information. A service manual for your model motorcycle is required for this installation and is available from a Harley-Davidson dealer.*

#### Kit Contents

See Figure 1 and Table 1.

### INSTALLATION

#### NOTE

*To avoid misalignment and cross-threading of the screws, start all three screws into the backrest before installation.*

1. See Figure 1. Position backrest pad (3) on sissybar upright. Place mounting bracket (1) in position, and install the three button head screws (2). Tighten screws to 7-10 **in-lbs** (0.8-1.1 Nm).

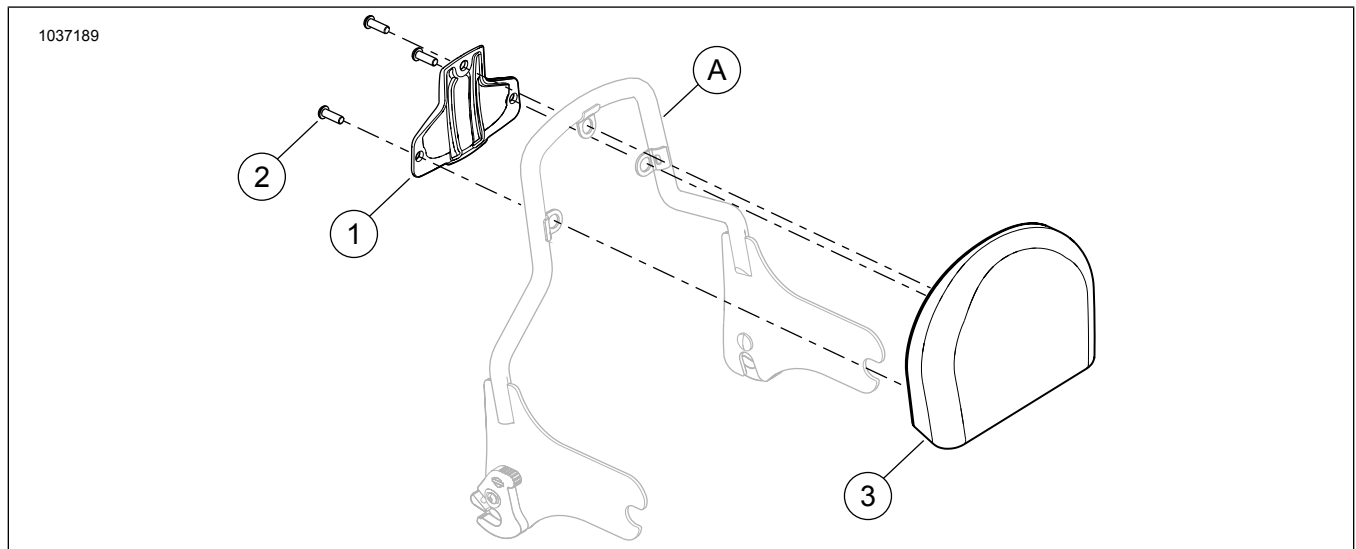


Figure 1. Service Parts: Backrest Pad Kit

Table 1. Service Parts Table: Backrest Pad Kit

Item	Description (Quantity)	Part Number
1	Mounting bracket	53294-04
2	Screw, button head, hex socket 1/4-20 x 1-inch (3)	53202-04
3	Backrest pad	Not Sold Separately
<b>Notes</b>		
A	Generic styled backrest shown	

