



INSTRUCTIONS

J03981

2006-01-04



SHIFTER SHAFT COVER WITH INSERT

GENERAL

Kit Number

35495-06

Models

This kit fits 2000 and later FL Softails equipped with Heel/Toe Shift Lever.

NOTE

Installation of this kits requires permanent removal of the heel shift lever.

Kit Contents

See Figure 2 and Table 1.

INSTALLATION

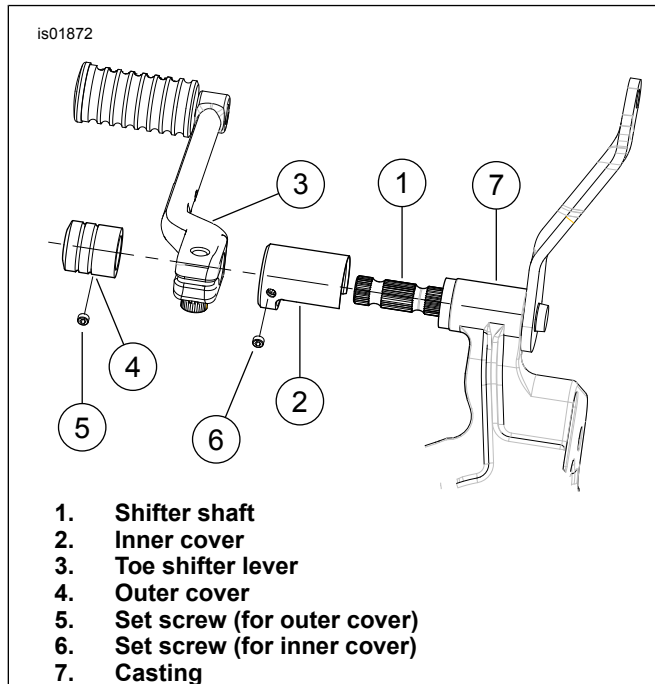


Figure 1. Shifter Shaft Covers

1. See Figure 1. Remove the stock heel shift lever and toe shift lever (3) from the gear shifter shaft (1).
2. Install the set screw (6) into the inner gear shifter shaft cover (2).
3. Install inner gear shifter shaft cover with installed set screw over the casting (7) in-board of the shifter shaft (1).

4. Tighten the set screw until light contact is made with the casting. Do not overtighten.
5. Re-install toe shift lever on the gear shifter shaft. Tighten the shifter retaining screw to 24–30 N·m (18–22 ft-lbs).
6. Install the set screw (5) into the outer gear shifter cover (4).
7. Install outer gear shifter shaft cover with installed set screw over the end of the gear shifter shaft (1).
8. Loosen the set screw slightly to allow the gear shifter shaft cover to rotate. Rotate the cover until the set screw faces down, then tighten the set screw.

SERVICE PARTS

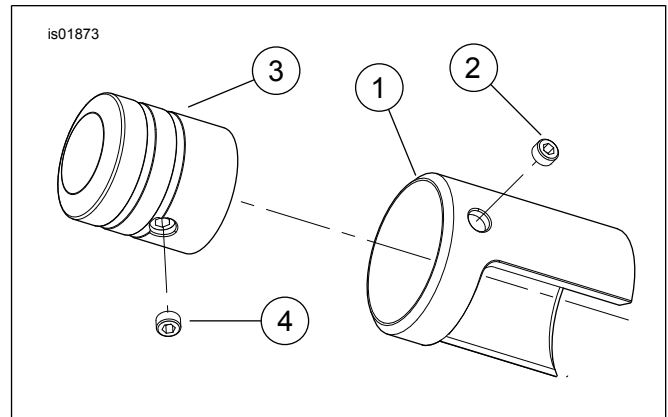


Figure 2. Service Parts: Shifter Shaft Covers

Table 1. Service Parts

Item	Description (Quantity)	Part Number
1	Cover, inner shaft	Not Sold Separately
2	Set screw, cup point, 8-32 x 0.125 inch	Not Sold Separately
3	Cover, outer shaft	Not Sold Separately
4	Set screw, cup point, #10-24 x 0.188 inch	Not Sold Separately

NOTE

Service Items #3 and #4 can be purchased as Kit Number 35471-05.