



INSTRUCTIONS

J03089

2013-11-01



POW/MIA TOUR-PAK FLAG-MOUNTING KIT

GENERAL

Kit Number

9401-03

NOTE

Flags are not intended for highway use. The construction of these flags will not hold up to the wind speeds seen at highway speeds. These flags are designed for parade use only.

Models

For model fitment information, see the P&A retail catalog or the Parts and Accessories section of www.harley-davidson.com (English only).

Kit Contents

Table 1. Kit Contents

Item	Description	Part Number
1	Wear pads (2)	Not sold separately
2	Flag mast	Not sold separately
3	Flag mast retainer	Not sold separately
4	Rubber pad	Not sold separately
5	Flag	94902-03

INSTALLATION

NOTE

Water may enter Tour-Paks/saddlebags with flag mast installed during inclement weather.

NOTE

Attaching a flag mast to a Tour-Pak or saddlebag without wear pads in place may result in damage to the Tour-Pak or saddlebag exterior. Periodically check to verify the flag mast remains in contact with wear pads.

1. See Figure 1. Remove adhesive backing from wear pad and place on area where mast base will hit the painted portion of the Tour-Pak and/or saddlebag. Attach flag mast to Tour-Pak or saddlebag as shown.
2. See Figure 2. Cut the self adhesive rubber pad in half. Remove the backing from the rubber pads and place on the inside of the Tour-Pak or saddlebags on each side of the flag mast as shown.

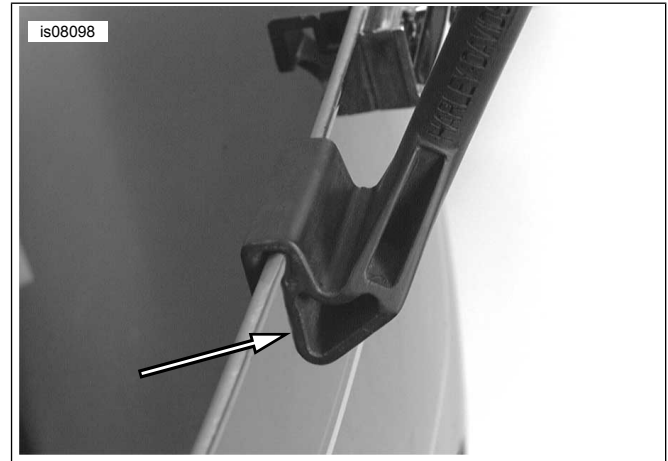


Figure 1. Flag Mast Installed on Tour-Pak

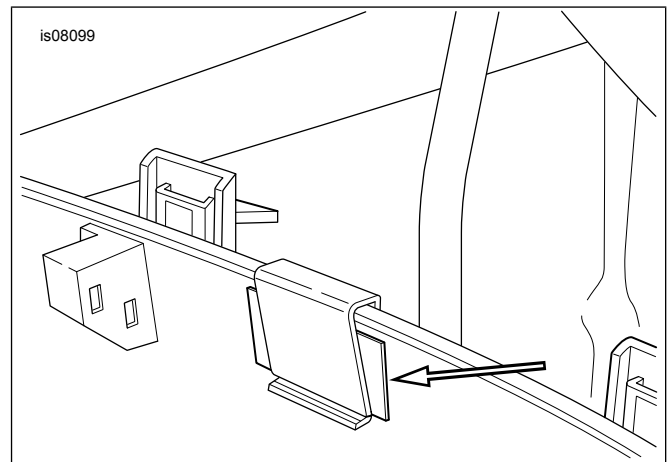


Figure 2. Rubber Pads Installed on Interior of Tour-Pak