



INSTRUCTIONS

J03888

2005-11-14



HEADLAMP VISORS

GENERAL

Kit Number

Table 1. Kits

Kit Number	Description
67752-77T	Chrome, plain
67791-87T	Chrome, with chrome wings
67791-91T	Chrome, with gold finish wings
68098-96	Chrome, with Fat Boy logo
69793-07	Chrome, with Skull logo

Models

These kits fit all motorcycle models equipped with 7-inch headlamps.

These kits do not fit models equipped with Headlamp Trim Ring Kits part numbers 69626-99, 69627-99, 69733-05, and 69734-05.

Additional Parts Required

FLHR (Road King) models require the separate purchase of Headlamp Mounting Kit 67761-96, which is available from any Harley-Davidson dealer.

Kit Contents

There are no Service Parts available with these kits.

INSTALLATION

1. See Figure 1. Remove original equipment bottom screw (1) and trim ring (2). Save parts for later use.
2. See Figure 3 and Table 2. Install headlamp visor (1) from kit and trim ring (A) previously removed.

NOTE

Make sure the screw holes in the trim ring and the headlamp assembly are aligned as it is difficult to rotate the trim ring when it is fully seated.

3. Loosely install bottom screw (C) previously removed on trim ring. Do not tighten at this time.
4. See Figure 2. Visually check to ensure that rubber bumpers on inside face of headlamp housing are not caught.
5. Snug bottom screw on trim ring and headlamp visor.

6. Rotate visor from side to side around headlamp assembly (B) if ring is caught on face of headlamp.
7. Push down on top of trim ring and push in on the bottom of the trim ring to fully seat the headlamp visor.
8. While tightening the bottom screw, continue to maintain inward pressure on bottom of headlamp visor, until screw is tight and trim ring is fully seated.

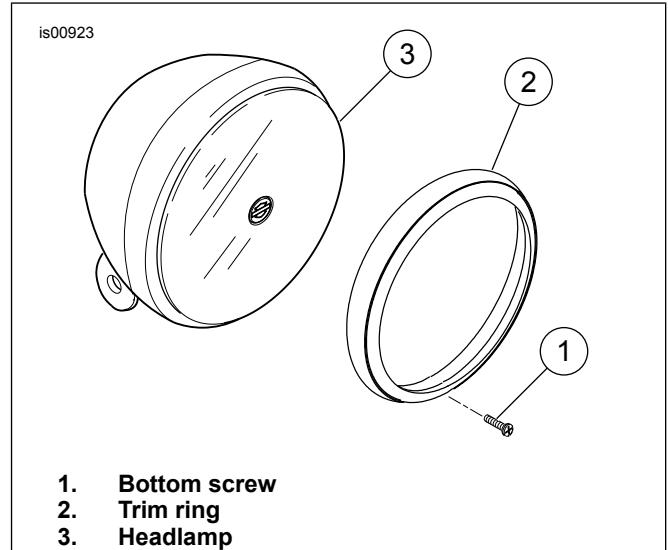


Figure 1. Original Equipment Headlamp Trim Ring

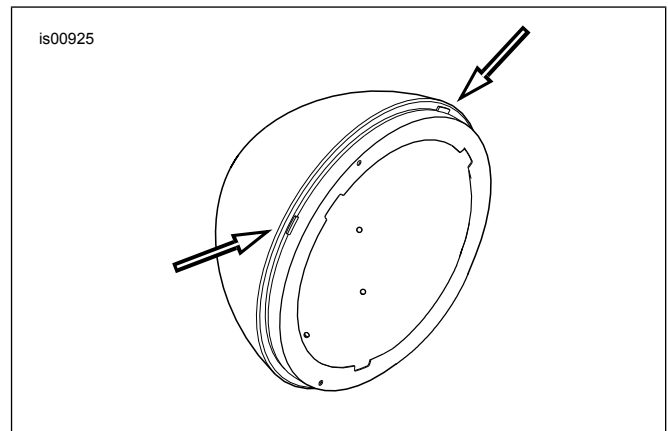


Figure 2. Check rubber bumpers on inside face of headlamp housing

SERVICE PARTS

is00924

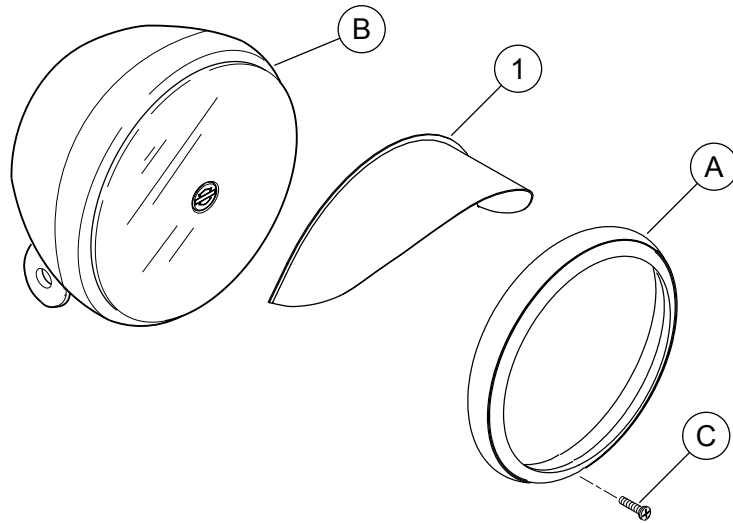


Figure 3. Headlamp Visor

Table 2. Headlamp Visor

Item	Description (Quantity)	Part Number
1	Headlamp visor, 7-inch	Not Sold Separately
Items mentioned in text, but not included in kit:		
A	Trim ring	
B	Headlamp assembly	
C	Bottom screw	