



INSTRUCTIONS

J01906

2021-11-18



SOFTAIL SPORT LUGGAGE RACK

GENERAL

Kit Number

53862-00

Models

For model fitment information, see P&A Retail Catalog or the Parts and Accessories section of www.harley-davidson.com (English only).

Additional Parts Required

Harley-Davidson International (HDI) FLSTC models will require License Plate Relocation Kit (Part No. 60095-00).

Kit Contents

Table 1. Kit Contents

Description (Quantity)	Part Number
Luggage rack	Not Sold Separately
Screw (4)	2986
Rubber bumper (2)	53707-96

INSTALLATION

NOTE

Cover rear fender with a clean shop towel to prevent scratching. Damage to finish could result.

- See Figure 1. Remove four screws attaching sissybar (5) to sideplates (4). Discard screws.
- Remove sissybar and set it aside.
 - For Rigid-Mount Sideplates:** Loosen, but do not remove, hardware securing sideplates to motorcycle.
- Position luggage rack between sideplates. Install sissybar into sideplate channels.
- Apply threadlocker to screws (2) from kit.

Consumable: LOCTITE 271 HIGH STRENGTH THREADLOCKER AND SEALANT (RED) (Loctite 271)

 - Insert through holes in luggage rack (1), sideplate (4), and sissybar (5).
 - Tighten screws (2).
Torque: 10.8–13.6 N·m (8–10 ft-lbs) *screws*
 - For Rigid-Mount Sideplates:** Apply threadlocker to screws securing sideplates to vehicle.

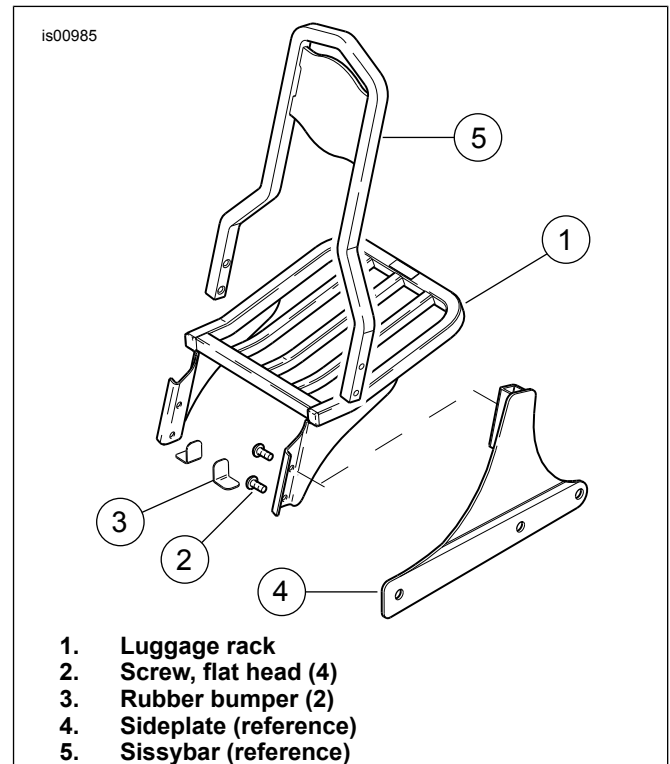
- Tighten screws.
Torque: 28.5–36.6 N·m (21–27 ft-lbs) *sideplate screws*
- Remove backing strip from two rubber bumpers (3). Install onto luggage rack (1).
 - Align notches in bumper (3) with bottom edge of channel on sideplate (4).
 - Wrap bumper (3) up the side of the luggage rack (1) channel and across bottom of sissybar.
 - When properly installed, bumpers (3) will cover lower screws and will bend around lower edge of channel.

⚠ WARNING

Do not exceed luggage rack weight capacity. Too much weight can cause loss of control, which could result in death or serious injury. (00373a)

NOTE

Maximum luggage rack weight capacity is 10 pounds (4.5 Kg).



- Luggage rack
- Screw, flat head (4)
- Rubber bumper (2)
- Sideplate (reference)
- Sissybar (reference)

Figure 1. Luggage Rack Installation

