



INSTRUCTIONS

J04171

2006-05-16



CHROME PANEL EXTENSION

GENERAL

Kit Number

71296-07

Models

This kit fits 2000 and later Softail model motorcycles (except FXSTD models).

▲ WARNING

Rider and passenger safety depend upon the correct installation of this kit. Use the appropriate service manual procedures. If the procedure is not within your capabilities or you do not have the correct tools, have a Harley-Davidson dealer perform the installation. Improper installation of this kit could result in death or serious injury. (00333b)

NOTE

This instruction sheet references Service Manual information. A Service Manual for your model motorcycle is required for this installation and is available from a Harley-Davidson Dealer.

Kit Contents

See Figure 3 and Table 1.

INSTALLATION

1. Remove seat. Refer to the appropriate Service Manual for seat removal procedure.
2. See Figure 1. Loosen the acorn nut (1) on the instrument panel only enough to allow some room under the panel.

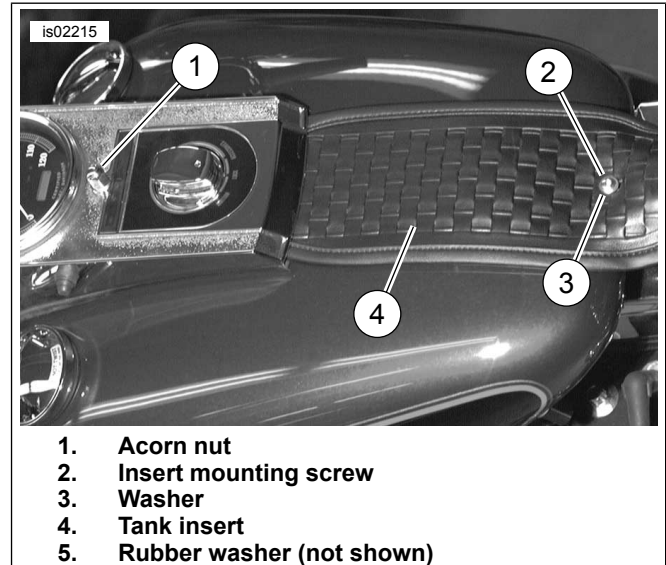


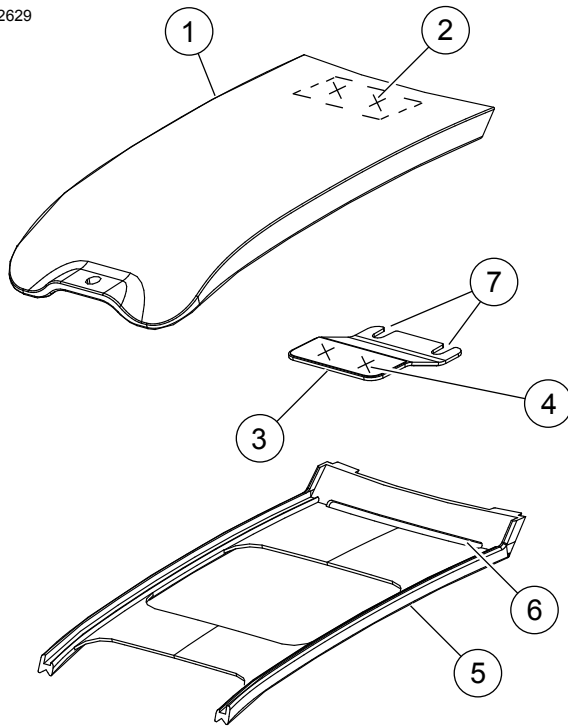
Figure 1. Remove Existing Mounting hardware

3. At rear of fuel tank, remove the insert mounting screw (2) and washer (3) securing the tank insert (4) (leather tank insert shown). Remove black rubber washer (5) (not shown) from tank. Remove tank insert.
4. See Figure 2. Obtain chrome panel extension (1) and console extension bracket from kit.

NOTE

The chrome panel extension (1) has a molded form (2) on the underside of panel. This molded form is positioned to help place the console extension bracket (3) in the correct location.





1. Chrome panel extension
2. Molded form
3. Console extension bracket
4. Adhesive backing
5. Console extension rubber trim (gasket)
6. Horizontal slot
7. Recessed lip area

Figure 2. Chrome Panel Extension Assembly

5. Use shop towels to protect chrome surface. Place the **new** chrome panel extension on a suitable work surface with the outside surface facing down. Using a solution of 50/50 mix of water and isopropyl alcohol, clean the bracket recess area in the console extension. Allow area to completely dry.

6. Remove protective paper from adhesive backing (4) on the console panel bracket (3). Position bracket into the molded form (2) of the chrome panel extension. Apply firm finger pressure in a sliding motion across the adhesive area to insure contact between pieces. Continue pressure for 1 minute and let cure for 24 hours.
7. Obtain console extension rubber trim (5) from kit. The console extension rubber trim (5) has a horizontal slot (6) at the front area of gasket. Place the chrome panel extension (with attached console extension bracket) onto gasket with recessed lip area (7) protruding through gasket.
8. Gently lift up on the rear of the instrument panel and install assembled extension panel with extension panel and instrument panel butting together. Insure that the bracket slots straddle the internal console pins and that the extension rubber gasket nests into the rear of the console.
9. See Figure 8. Loosely install the mounting screw (5) and washer (6) to secure the lower portion of the chrome panel extension assembly.
10. Align chrome panel extension assembly with gas tank. When proper alignment is achieved, tighten the rear mounting screw (5) to 40-45 **in-lbs** (4.5-5.1 Nm).
11. See Figure 1. Tighten the instrument panel acorn nut (1) to 80-100 **in-lbs** (9.0-11.3 Nm).

⚠ WARNING

After installing seat, pull upward on seat to be sure it is locked in position. While riding, a loose seat can shift causing loss of control, which could result in death or serious injury. (00070b)

12. Install seat.

SERVICE PARTS

is02630

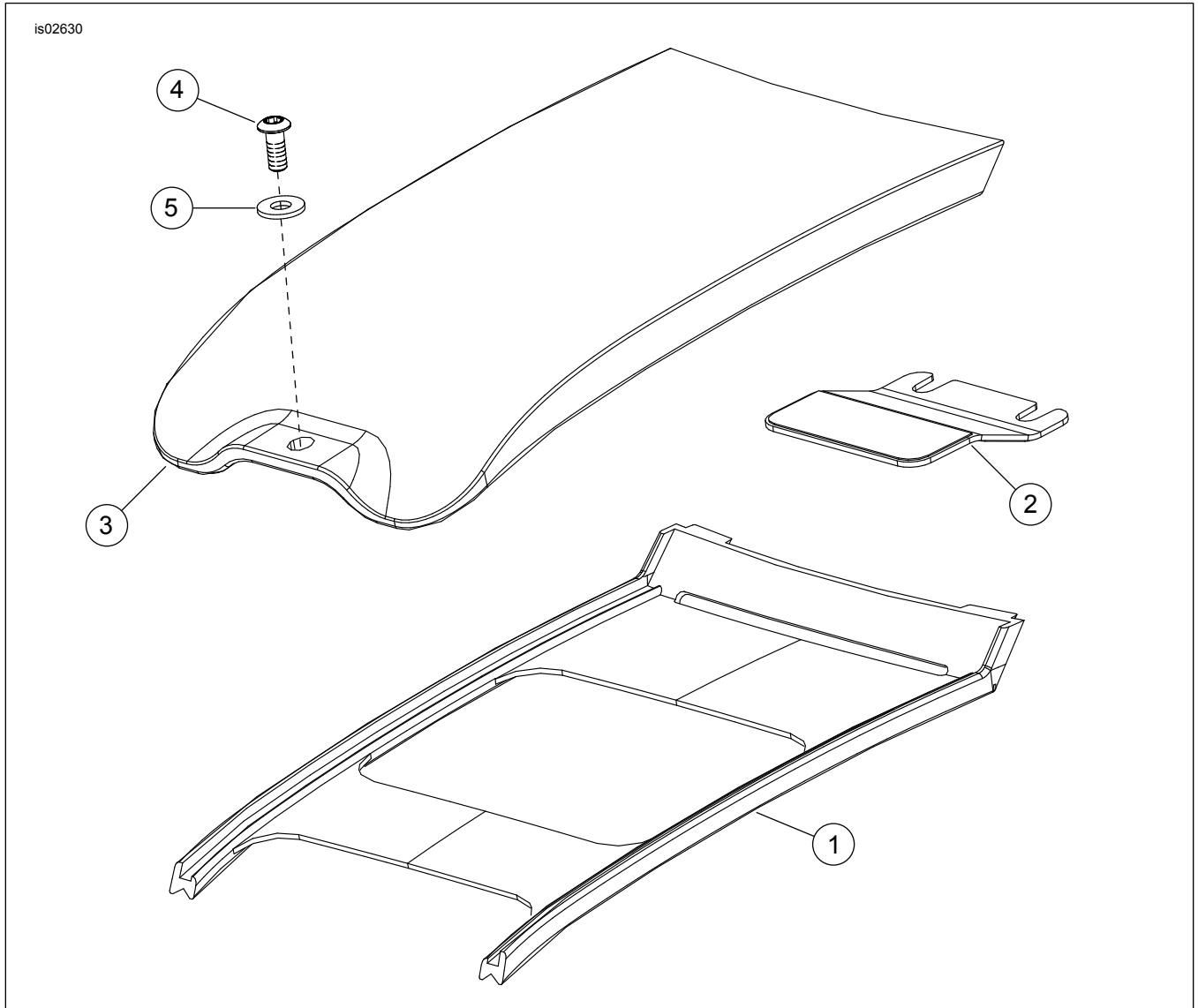


Figure 3. Service Parts: Chrome Panel Extension Kit

Table 1. Service Parts Table

Item	Description (Quantity)	Part Number
1	Console extension rubber trim (gasket)	71323-07
2	Console extension bracket	71326-07
3	Chrome console extension	Not sold
4	Screw, #10-24 x 1/2 inch, hex button head	3658
5	Washer	6716
Items mentioned in text, but not included in kit:		
A	Acorn nut, instrument panel	