



INSTRUCTIONS

J03114

2003-08-20



DETACHABLE PASSENGER-BACKREST DOCKING HARDWARE KIT

GENERAL

Kit Number

53450-97C

Models

This kit fits 1994 and later FLHR, FLTR, FLHT, and FLHTC model motorcycles.

NOTE

For FLHTC models, and 1996 and earlier FLHT models, a FLHR-style replacement license-plate bracket (Part Number 47440-92) must be installed after the luggage rack is removed as described below. This bracket is sold separately through any Harley-Davidson dealer.

NOTE

The installation instructions described below, and the hardware quantities used during installation, differ depending on whether this kit is installed with the FLHR Rear Docking Kit (Part Number 53746-97A), or installed by itself. Follow the appropriate instructions below to install your kit.

Additional Parts Required

▲ WARNING

Rider and passenger safety depend upon the correct installation of this kit. Use the appropriate service manual procedures. If the procedure is not within your capabilities or you do not have the correct tools, have a Harley-Davidson dealer perform the installation. Improper installation of this kit could result in death or serious injury. (00333b)

NOTE

This instruction sheet references Service Manual information. A Service Manual for your model motorcycle is required for this installation and is available from a Harley-Davidson Dealer.

Kit Contents

See Figure 6 and Table 2.

INSTALLATION

Installation Without FLHR Rear Docking Kit Part Number 53746-97A

1. Remove the saddlebags.
2. On models equipped with Tour Paks, remove Tour Pak and luggage rack according to Service Manual instructions.

3. On 1997 and Later models, remove the air fitting(s) from the bracket and discard the bracket.
4. On FLHTC models, and 1996 and earlier FLHT models, install FLHR-style license-plate bracket, part number 47440-92, in place of the license-plate bracket removed with luggage rack.
5. See Figure 1. Remove and discard the three screws from each side of the motorcycle. Note the fastener configurations described in the illustration. Keep the spacer for saddlebag and bracket installation.

NOTE

If the end of a 1-inch screw (3) contacts the fender during installation, use the 3/4-inch long screws (4) from this kit.

6. See the Service Parts illustration. Assemble the docking hardware as shown.
 - a. Install mounting brackets on each side of the motorcycle. The right-side bracket (8) has two extra mounting holes for 1997-2001 air fittings. 2002 and 2003 models are equipped with one air fitting, however on 2003 and later models the air fitting must be relocated to the (forward) front hole on the **LEFT-HAND** side bracket.
 - b. Use the 5/16-18 x 1-inch screws (3) in the upper two holes with two chrome washers (2) placed on each screw and between the mounting bracket and the saddlebag support bracket. These chrome washers replace the rear docking kit bracket that is not installed on this application.
 - c. Install a 5/16-18 flange locknut (6) behind the screw that does not screw into a weld nut. Torque to 15-19 ft-lbs (20.3-25.8 Nm).



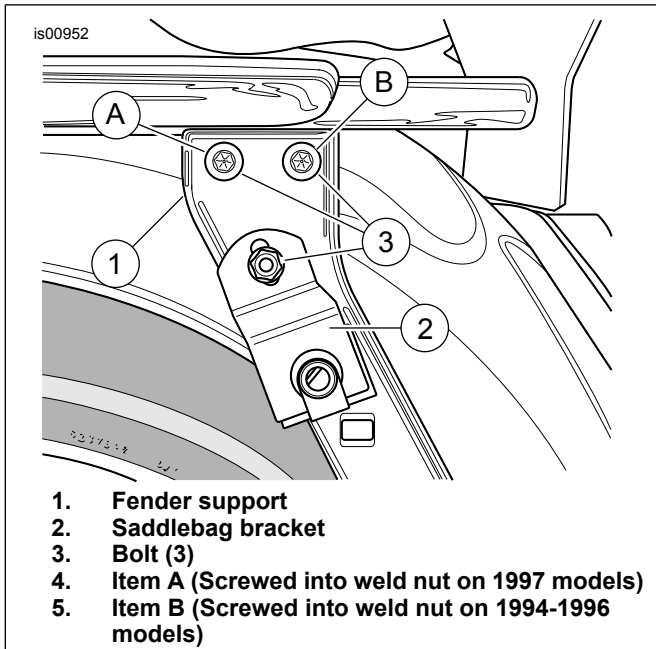


Figure 1. Stock Bolt Removal

7. Install on each side of the motorcycle a 1/4-20 x 7/8 in. screw (1) and stock washer through the bottom hole of the mounting bracket and the saddlebag support bracket. Torque the fastener to 10-14 ft-lbs (13.6-19.0 Nm).

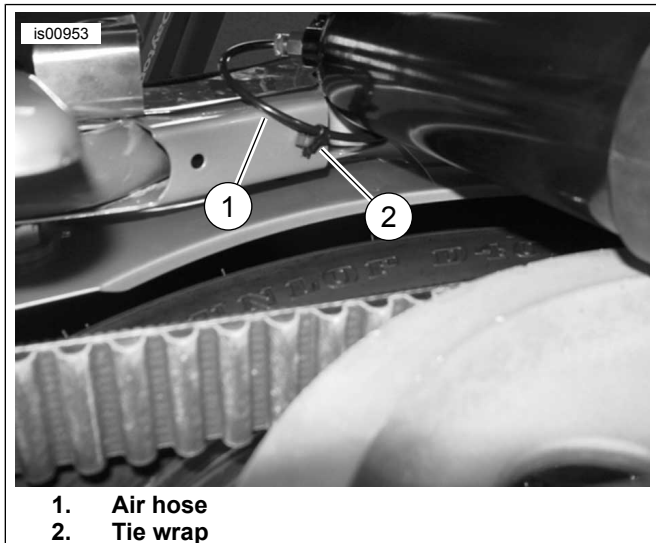


Figure 2. Airhose Routing on 2003 Models

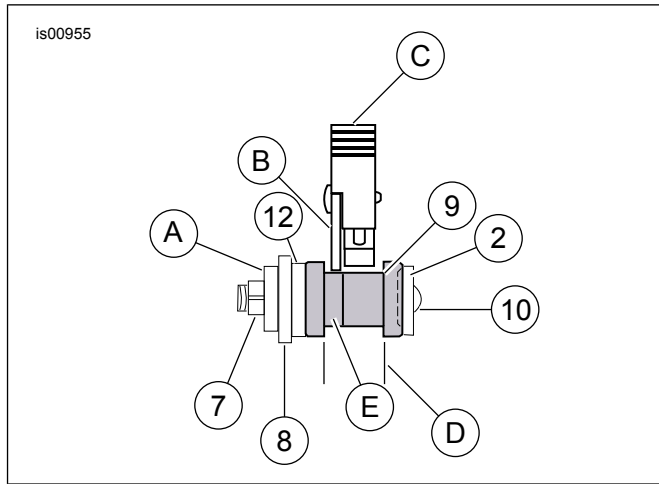


Figure 3. Proper Alignment of Latch in Right-Side Docking Point (Viewed from Rear)

8. On 1997-2002 models, fasten the air fittings through the lowest two holes in the right-side bracket. On 2003 and later models, See Figure 2. Remove the left side shock air hose from the air valve and reroute it underneath the top shock mount. Locate the rear unused hole in the underside of the fender strut, just in front of the left shock. Use a tie wrap (HD Part Number 10073) to anchor the air hose to this hole and prevent it from getting a kink or getting pinched. Reinstall the air hose to the air valve and install the air valve in the bottom front hole of the left-hand bracket. Add air to the shocks according to the applicable Service Manual.
9. See the Service Parts illustration and Figure 3. Fasten docking points (9) and spacers (12) to the mounting brackets as shown, on each side of the motorcycle, using buttonhead screws (10), washers (2), and locknuts (7). Leave the locknuts slightly loose for docking-point adjustment in step 10.

Table 1. Latch Components

Item numbers match numbers in Service Parts Illustration	
2	Washer
7	Locknut
8	Rear mounting bracket
9	Rear docking point
10	Screw
12	Spacer
Items mentioned in text, but not included in kit. (Reference only)	
A	Bracket P/N 53805-99 from detachable backrest kit
B	Backrest side plate
C	Backrest latch
D	Neck
E	Raised surface of docking point

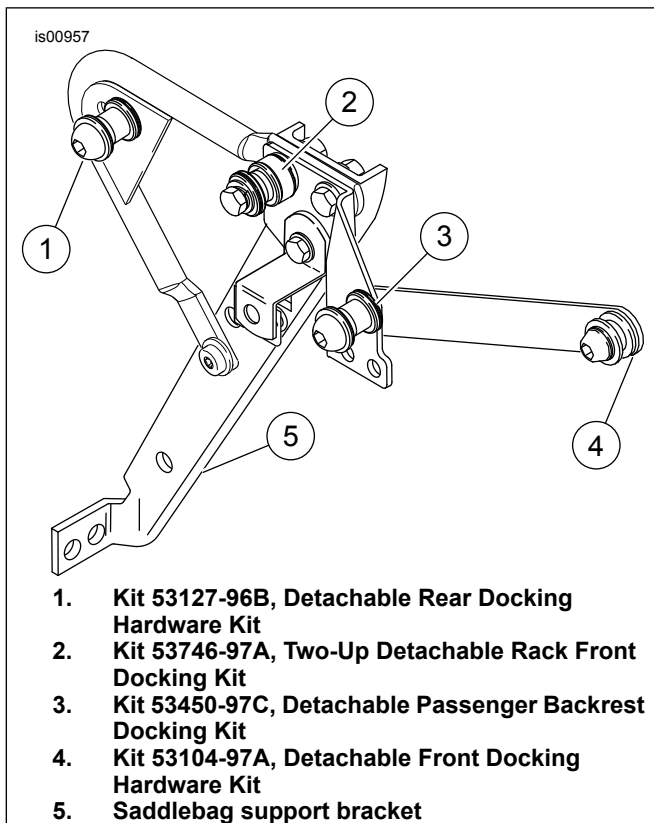
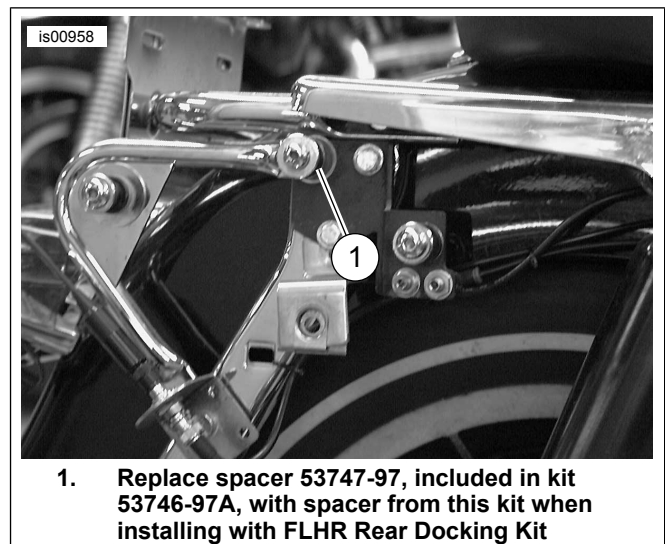


Figure 4. Touring Detachable Docking Hardware Kits (Right Side Shown)



1. Replace spacer 53747-97, included in kit 53746-97A, with spacer from this kit when installing with FLHR Rear Docking Kit

Figure 5. Docking-Point Spacer Location

- On 1997 and later models, the docking point fastens through the mounting-bracket front hole.
 - On 1994-1996 models, the docking point fastens through the mounting-bracket rear hole.
10. See Figure 4. Fasten the detachable passenger backrest to the docking points as described in the backrest instruction sheet. Push the forward notches of the backrest sideplates completely into the front docking points (kit number 53104-97A), then fasten the backrest rear notches into the backrest docking points (kit number 53450-97C). Torque the fasteners from Step 9 to 45-47 ft-lbs (61.0-63.7 Nm).

Installation with FLHR Rear-Docking Kit Number 53746-97A

Follow all the steps in the previous procedure, but:

- Replace the eight chrome washers (2), between the mounting brackets and fender supports, with the rear-docking bracket from the Rear Docking Kit as shown in Figure 3. Replace spacers, part number 53747-97 from kit 53746-97A, with the spacers (5) from this kit. Spacers in this kit are narrower to accommodate the added thickness of the mounting bracket (8). Refer to the instruction sheet for kit 53746-97A to correctly install the docking points.

SERVICE PARTS

See Figure 6 and Table 2.

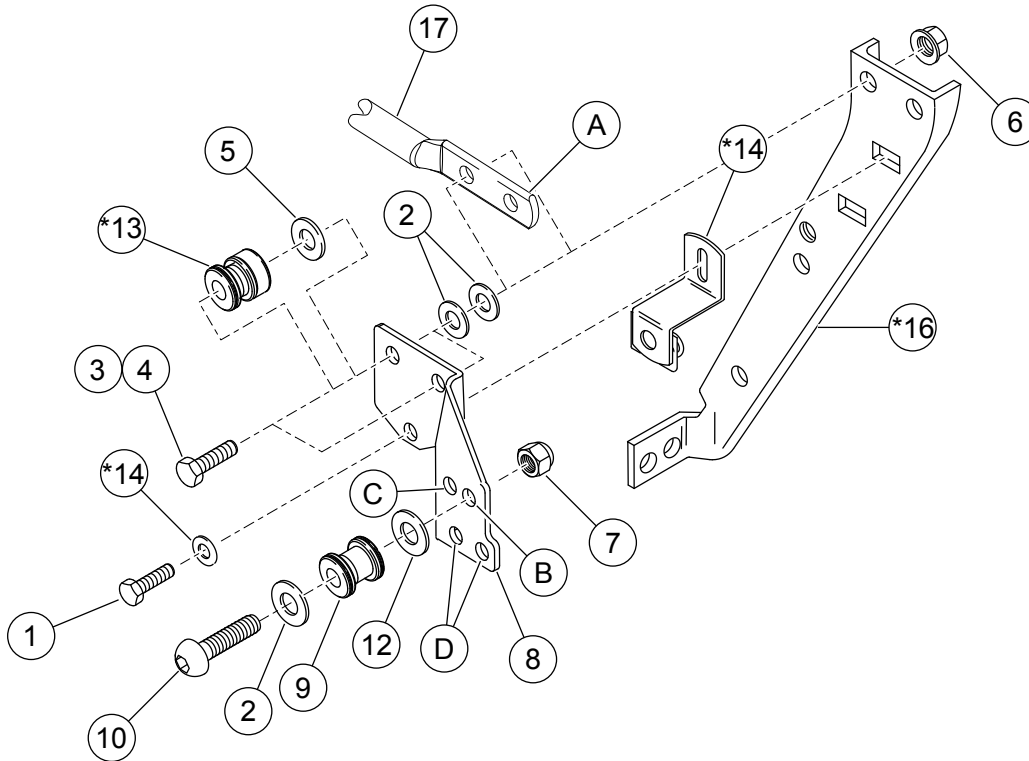


Figure 6. Service Parts: Detachable Passenger-Backrest Docking Hardware

Table 2. Service Parts Table

Item	Description (Quantity)	Part Number
1	Screw 1/4-20 x 7/8 inch (2) Attach mounting brackets and saddlebag mounting brackets to fender supports	3802W
2	Chrome washer, 3/8 inch (10) 10 used without Rear Docking Kit 53746-97A; 2 used with Rear Docking Kit	94067-90T
3	Screw, 5/16-18 x 1.0 inch (4) Attach two top holes, in mounting brackets, to fender supports	4017
4	Screw, 5/16-18 x 3/4 inch (4) To replace item 3 if 1.0 inch screw is too long	3987
5	Spacer (2) Install with Rear Docking Kit 53746-97A;replaces spacer 53747-97	53760-97
6	Locknut, flange (2) Install under fender	7531
7	Locknut (2) Attaches docking points to mounting brackets	7667
8	Mounting bracket, right side Mounting bracket, left side (not shown)	53759-96B 53758-96C
9	Docking point (2)	53684-96A
10	Screw, buttonhead, 3/8-16 x 2.0 inch (2) Fasten docking points to mounting brackets	4118
11	Tie wrap (not shown)	10073
12	Spacer (2)	6532
Additional items, not part of kit 53450-97C:		
13	Docking point from kit 53746-97A	
*14	Stock spacer	
*15	Stock saddlebag mounting bracket	
*16	Stock Saddlebag support bracket	
17	Rear docking-point bracket from kit 53127-96B	
* Items with asterisk are stock (original equipment) items		
Model Specific Information		
A	Use one additional chrome washer (two total, item 2) at each top-bolt location, on both sides of the vehicle, on vehicles not equipped with kit 53746-97A.	
B	Use the front hole in bracket for 1997 and later models.	

Table 2. Service Parts Table

Item	Description (Quantity)	Part Number
C	Use the rear hole in the bracket for 1994-1996 models.	
D	On 1997-2002 models, install air fitting(s) on right side as shown. On 2003 and later models, install air fitting on the left side bracket.	