



# INSTRUCTIONS

J03115

2004-06-09



## DETACHABLE DOCKING KIT

### GENERAL

#### Kit Number

53104-97B

#### Models

This Detachable Docking Kit mounts in Position 1 (see Figure 1), and fits all 1994 and later FL Touring model motorcycles **except** FLHTC/I (Electra Glide® Classic) and FLHTCUI (Ultra Classic® Electra Glide).

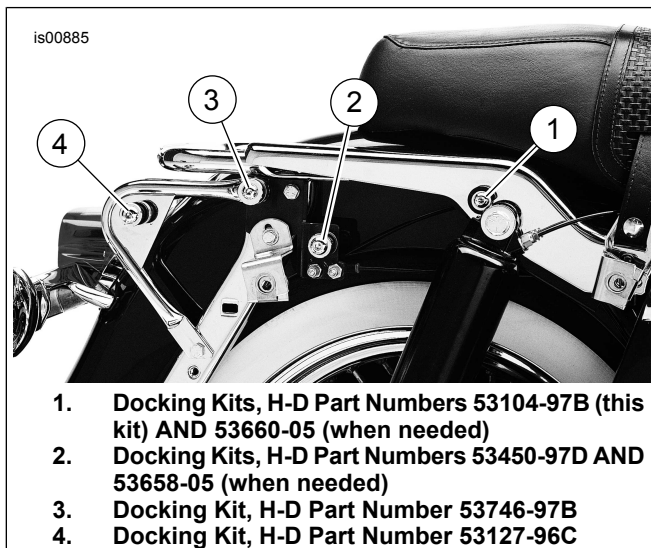


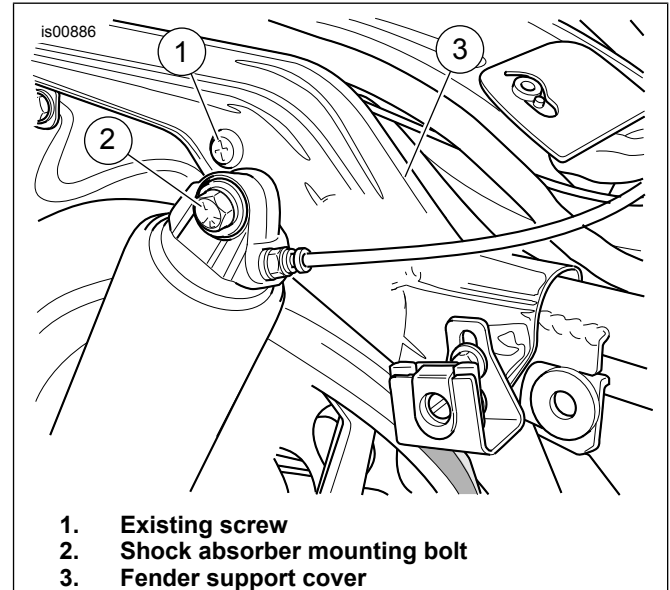
Figure 1. Docking Points

### Additional Parts Required

Installation of this kit **for use with Detachable Passenger Sissybar Upright 52805-97A** requires the additional purchase of Detachable Docking Kit, Part Number 53660-05, available separately from any Harley-Davidson dealer.

### Kit Contents

See Figure 4 and Table 1.



1. Existing screw
2. Shock absorber mounting bolt
3. Fender support cover

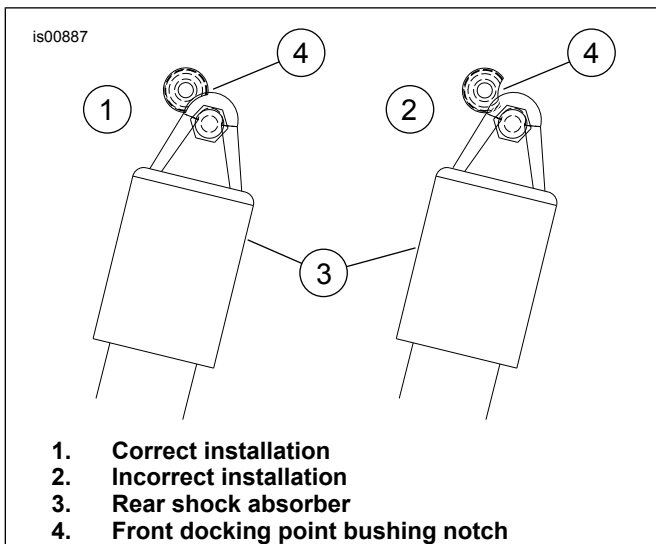
Figure 2. Front Docking Point Location

### INSTALLATION

#### For Models Using the Following Accessories:

- Detachable Solo Tour-Pak® Rack 53260-02
- Detachable Passenger Sissybar Upright 52805-97A (separate purchase of Kit 53660-05 is required)
- Detachable Passenger Sissybar Upright 52933-97A
- Detachable Passenger Sissybar Upright 52935-04

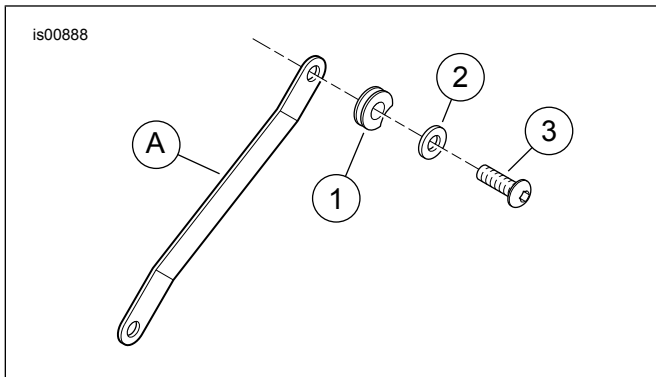
1. See Figure 2. Remove the existing Phillips screw (1) from the hole directly behind the upper shock absorber mounting bolt.
2. See Figure 4. Obtain a docking point bushing (1), bolt (3) and flat washer (2) from the kit.
3. Place the flat washer over the threads of the screw, followed by the bushing.
4. Insert the screw threads through the smaller hole in bracket 53805-99 (item A, part of the Solo Tour-Pak® Rack or Sissybar Upright Kit), and the chrome rear fender support cover. Thread the screw into the weld nut in the fender support.



**Figure 3. Position of Docking Point Notch**

5. See Figure 3. Rotate the bushing notch (4) into the "correct" position (1).
6. Tighten the screw to 19 ft-lbs (26 Nm).
7. Repeat steps 1 through 6 for the opposite side.

## SERVICE PARTS



**Figure 4. Service Parts, Detachable Docking Kit 53104-97B**

**Table 1. Service Parts**

Item	Description (Quantity)	Part Number
1	Bushing, docking point (2)	53123-96
2	Washer, flat (2)	94066-90T
3	Bolt, hex socket, button head, 5/16-18 x 1 inch long (2)	94394-92T
<b>Items mentioned in text, but not included in kit.</b>		
A	Bracket from Rack or Upright Kit	