



INSTRUCTIONS

J03904

2009-05-15



CHROME LOWER BELT GUARD COVER KIT

GENERAL

Kit Numbers

60489-06A, 60514-07A

Models

For model fitment information, see the P&A Retail Catalog or the Parts and Accessories section of www.harley-davidson.com (English only).

Kit Contents

See Figure 1 and Table 1.

INSTALLATION

NOTE

The chrome debris deflector cover mounts over the existing deflector.

1. See Figure 1. Remove and discard rear two screws attaching debris deflector (B) on rear rear fork (A). The front screw (C) does not need to be removed.
2. Slide the chrome cover (1) over the debris deflector, making sure the lower and front edge of the deflector is inserted into the edge clips of the cover.
3. Install chrome cover on debris deflector and rear fork using two washers (3) and screws (2) from kit. Tighten to 40-60 in-lbs (4.5-6.8 Nm).
4. Make sure chrome lower belt guard cover does not contact drive belt, tire, or wheel. If necessary, loosen mounting screws and reposition for clearance.

SERVICE PARTS

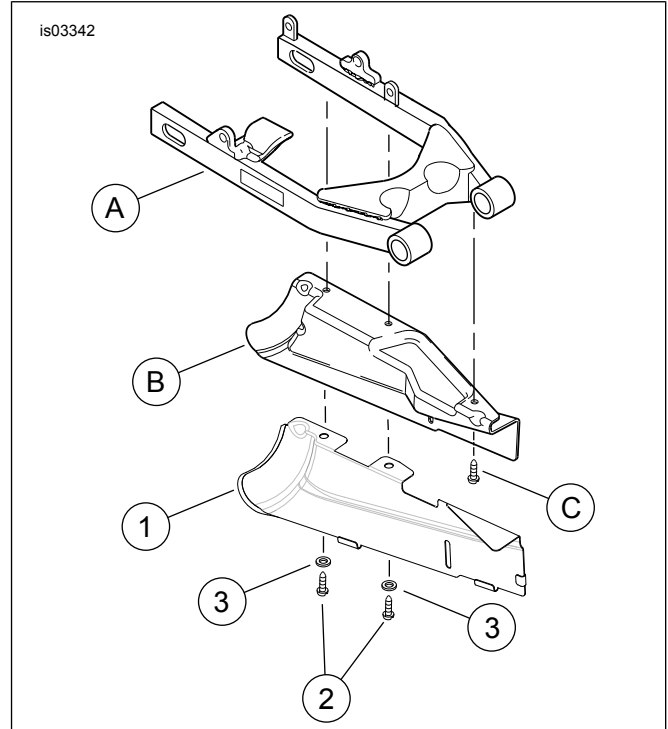


Figure 1. Service Parts: Chrome Debris Deflector Cover

Table 1. Service Parts

Kit	Item	Description (Quantity)	Part Number
60489-06A	1	Lower belt guard cover (chrome)	Not Sold Separately
	2	Screw (2)	3765
	3	Washer (2)	6228W
60514-07A	1	Lower belt guard cover (chrome)	Not Sold Separately
	2	Screw (2)	3765
	3	Washer (2)	6228W
Items mentioned in text, but not included in kit.			
	A	Rear fork	
	B	Debris deflector	
	C	Screw	

