



INSTRUCTIONS

J04188

2015-03-27



FRONT MASTER CYLINDER COVER KIT

GENERAL

Kit Number

42313-07, 41700335

Models

For model fitment information, see the P&A retail catalog or the Parts and Accessories section of www.harley-davidson.com (English only).

Kit Contents

See Figure 1 and Table 1.

There are no Service Parts available with this kit.

INSTALLATION

NOTE

Clean master cylinder reservoir cover before removal.

1. Clean the front master cylinder cover. Remove and discard the two screws that hold the cover in place.

NOTE

Refer to the owner's manual for filling the master cylinder reservoir with DOT 4 hydraulic brake fluid if necessary.

⚠ WARNING

Contact with DOT 4 brake fluid can have serious health effects. Failure to wear proper skin and eye protection could result in death or serious injury.

- **If inhaled:** Keep calm, remove to fresh air, seek medical attention.
- **If on skin:** Remove contaminated clothing. Rinse skin immediately with plenty of water for 15-20 minutes. If irritation develops, seek medical attention.
- **If in eyes:** Wash affected eyes for at least 15 minutes under running water with eye lids held open. If irritation develops, seek medical attention.
- **If swallowed:** Rinse mouth and then drink plenty of water. Do not induce vomiting. Contact Poison Control. Immediate medical attention required.
- **See Safety Data Sheet (SDS) for more details available at sds.harley-davidson.com**

(00240e)

2. Remove and discard the original cover and gasket, and place the new diaphragm and plate onto the master cylinder reservoir. Position the new chrome cover onto the reservoir over the diaphragm.
3. Install the new polished stainless steel cover screws. Tighten to 9-17 **in-lbs** (1.0-2.0 Nm).

SERVICE PARTS

is02718

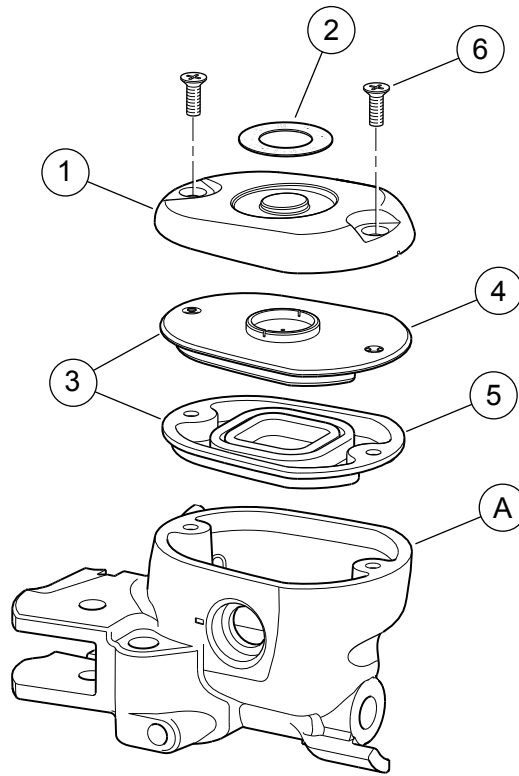


Figure 1. Service Parts: XL Chrome Master Cylinder Cover

Table 1. Service Parts Table

Item	Description (Quantity)	Part Number
1	Cover, master cylinder reservoir, Chrome (Kit 42313-07)	Not Sold Separately
	Cover, master cylinder reservoir, Edge Cut (Kit 41700335)	Not Sold Separately
2	Decal, warning	44791-07
3	Gasket kit (includes items 4 and 5)	42805-04
4	Plate, diaphragm	Not Sold Separately
5	Diaphragm	Not Sold Separately
6	Screw kit (includes 2 screws) (Kit 42313-07)	2498
	Screw (2) (Kit 41700335)	2586
Items mentioned in text, but not included in kit:		
A	Front master cylinder	