



# INSTRUCTIONS

J03134

2005-03-08



## SPORTSTER CUSTOM MINI-TACH BRACKET KIT

### GENERAL

#### Kit Numbers

69252-04 and 69426-04

#### Models

Kit 69252-04 fits 1996 thru 2003 XL Custom model motorcycles.

Kit 69426-04 fits 2004 and later XL Custom model motorcycles.

#### Additional Parts Required

This kit requires a Mini-Tach Kit from Table 1 or Table 2 and a Housing Kit from Table 3 in order to complete this installation.

Table 1. Mini-Tach Kits for 1996-2003 XL Custom

Kits	Part Number
Mini-Tach Kit (Black Face)	68953-04
Mini-Tach Kit (Silver Face)	68986-04
Mini-Tach Kit (Metal Face)	67201-04A
Mini-Tach Kit (Nostalgic Face)	68031-05

Table 2. Mini-Tach Kits for 2004 and Later XL Custom

Kits	Part Number
Mini-Tach Kit (Black Face)	69427-04
Mini-Tach Kit (Silver Face)	69445-04
Mini-Tach Kit (Metal Face)	69446-04

Table 3. Housing Kits

Description	Part Number
Mini-Tach Tapered Gauge Housing	67524-04
Mini-Tach Standard Gauge Housing	67523-04

#### ⚠ WARNING

Rider and passenger safety depend upon the correct installation of this kit. Use the appropriate service manual procedures. If the procedure is not within your capabilities or you do not have the correct tools, have a Harley-Davidson dealer perform the installation. Improper installation of this kit could result in death or serious injury. (00333b)

#### NOTE

This instruction sheet references Service Manual information. A Service Manual for your model motorcycle is required for this installation and is available from a Harley-Davidson Dealer.

#### NOTICE

It is possible to overload the vehicle's charging system by adding too many electrical accessories. If the combined electrical accessories operating at any one time consume more electrical current than the vehicle's charging system can produce, the electrical consumption can discharge the battery and cause damage to the vehicle's electrical system. (00211d)

#### Kit Contents

See Figure 1 and Table 4.

### INSTALLATION

#### Prepare the Motorcycle

1. Follow the Service Manual instructions to remove the seat.

#### ⚠ WARNING

To prevent accidental vehicle start-up, which could cause death or serious injury, disconnect negative (-) battery cable before proceeding. (00048a)

2. Disconnect the negative (-) battery cable.
3. **For 1996-2003 XL Custom:** Remove the handlebar riser cover screws and remove the front and rear riser covers. **For 2004 and Later XL Custom:** Remove the handlebar riser cover screws and remove the rear riser cover.

#### Install Tachometer into Mini-Tach Bracket

1. Install the isolation gasket from the mini-tach kit in bracket matching the notch of the gasket to the notch in the bracket.
2. Feed the ring terminals of the tachometer harness through the grommet portion of the isolation gasket.
3. See Figure 1. Slide the tach into the tach mount (3) from the front aligning the notch in the tach with the notch in the isolation gasket.
4. Follow the mini-tach instruction sheet to attach the ring terminals to the posts on the back of the tachometer.
5. Follow the instruction sheet that comes with the mini-tach housing kit to install the mini-tach housing.

#### Install Sportster Custom Mini-Tach Bracket

1. See Figure 1. Remove front two handlebar clamp screws.
2. Place spacers (1) into the empty clamp screw counterbores.



3. Loosely secure tach mount (3) and tach assembly to handlebar clamp with the capscrews (2).
4. Loosen the rear clamp screws until the clamp and riser separate at the front and rear.
5. Verify centering of handlebars and position for rider posture.
6. Tighten front capscrews to 16–24 N·m (12–18 ft-lbs).
7. Tighten rear capscrews to 16–24 N·m (12–18 ft-lbs).

## Return the Motorcycle to Service

1. Replace the riser covers and screws. Tighten the riser cover screws to 0.9–1.4 N·m (8–12 in-lbs).
2. Connect the negative (-) battery cable.

### ⚠ WARNING

After installing seat, pull upward on seat to be sure it is locked in position. While riding, a loose seat can shift causing loss of control, which could result in death or serious injury. (00070b)

## Wire the Tach to the Connector

1. Follow the instructions in the mini-tach kit to attach the wire terminals on the back of the mini-tach.
2. Follow the mini-tach instructions to route the mini-tach wire harness.
3. Install the seat.
4. Follow the mini-tach instruction sheet to test the operation of the tachometer.

## SERVICE PARTS

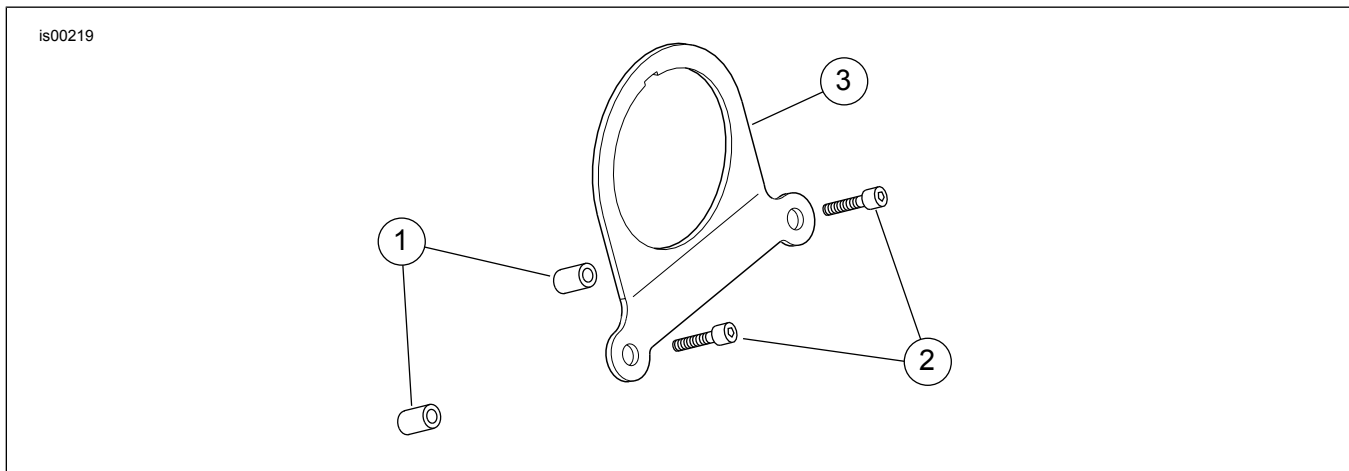


Figure 1. Service Parts for Sportster Mini-Tach Bracket Kit

Table 4. Service Parts Table for Sportster Mini-Tach Bracket Kit

Item	Description (Quantity)	Part Number
1	Spacer (2)	5775
2	Cap screw (2)	3485A
3	Tach mount	68951-99
	Tach mount	68951-04