



INSTRUCTIONS

J03130

2013-11-01



MINI-TACH BRACKET KIT

GENERAL

Kit Numbers

67206-04 , 68150-05

Models

For model fitment information, see the P&A retail catalog or the Parts and Accessories section of www.harley-davidson.com (English only).

Kit Contents

See Figure 1 and Table 3.

This kit requires a 1.) mini-tach kit and a 2.) mini-tach housing kit to complete the installation:

Table 1. Mini-Tach Kits

Description	Part No.
Mini-Tach Kit (black face)	68953-04
Mini-Tach Kit (silver face)	68986-04
Mini-Tach Kit (metal face)	67201-04A
Mini-Tach Kit (nostalgic face)	68031-05

Table 2. Housing Kit

Description	Part No.
Mini-Tach Tapered Gauge Housing	67524-04
Mini-Tach Standard Gauge Housing	67523-04

⚠ WARNING

Rider and passenger safety depend upon the correct installation of this kit. Use the appropriate service manual procedures. If the procedure is not within your capabilities or you do not have the correct tools, have a Harley-Davidson dealer perform the installation. Improper installation of this kit could result in death or serious injury. (00333b)

NOTE

This instruction sheet references Service Manual instructions. A Service Manual for your motorcycle is available from your Harley-Davidson dealer.

INSTALLATION

Prepare the Motorcycle

NOTICE

It is possible to overload the vehicle's charging system by adding too many electrical accessories. If the combined electrical accessories operating at any one time consume more electrical current than the vehicle's charging system can produce, the electrical consumption can discharge the battery and cause damage to the vehicle's electrical system. (00211d)

1. See the Service Manual. Remove the seat.

⚠ WARNING

To prevent accidental vehicle start-up, which could cause death or serious injury, disconnect negative (-) battery cable before proceeding. (00048a)

2. Disconnect the negative (-) battery cable.

⚠ WARNING

When servicing the fuel system, do not smoke or allow open flame or sparks in the vicinity. Gasoline is extremely flammable and highly explosive, which could result in death or serious injury. (00330a)

3. See the Service Manual. Remove the fuel tank.
4. Follow the instruction sheet in the mini-tach kit to route and wire the mini-tach wire harness.

Install Bracket on Motorcycle

1. See Figure 1. Remove two handlebar clamp screws that are farthest from rider.
2. Place spacers (1) into the empty clamp screw counterbores.
3. Loosely secure tach mount (3) to handlebar clamp with the capscrews (2).
4. Loosen the rear clamp screws until clamp halves separate at the front and rear.
5. Verify centering of handlebars and position for rider posture.
6. **For models with cast-in spacers:** Tighten the two rear clamp screws until the cast-in spacers contact at the rear. Do not tighten completely.
 - a. Tighten front capscrews to 12-15 ft-lbs (17-20 Nm).
 - b. Tighten rear capscrews to 12-15 ft-lbs (17-20 Nm).
7. **For models without cast-in spacers:** Tighten all four screws finger-tight, maintaining equal gaps between upper and lower clamps front to back.
 - a. Tighten rear capscrews to 12-15 ft-lbs (17-20 Nm).
 - b. Tighten front capscrews to 12-15 ft-lbs (17-20 Nm).

Install Tachometer into Bracket

1. Follow the mini-tach instructions to install the the isolation gasket into the mini-tach bracket and the tachometer into the gasket.



- Following the mini-tach instructions, match the wire colors and attach the wire terminals to the terminal posts on the back of the mini-tach.
- Follow the instructions in the mini-tach gauge housing kit to attach the housing. Tighten the housing fastener to the torque specified in the instructions.

Return the Motorcycle to Service

- See the Service Manual and in the instruction sheet with the selected gauge to secure the wiring and install the fuel tank.
- If required, obtain the 2 amp fuse from mini-tach kit and install into the fuse block. The location is marked "P&A IGN" on the block cover.
- Replace the fuse block cover.
- Connect the negative battery cable.

⚠ WARNING

After installing seat, pull upward on seat to be sure it is locked in position. While riding, a loose seat can shift causing loss of control, which could result in death or serious injury. (00070b)

- Install the seat.
- Follow the directions in the instruction sheet to test the operation of the gauge.

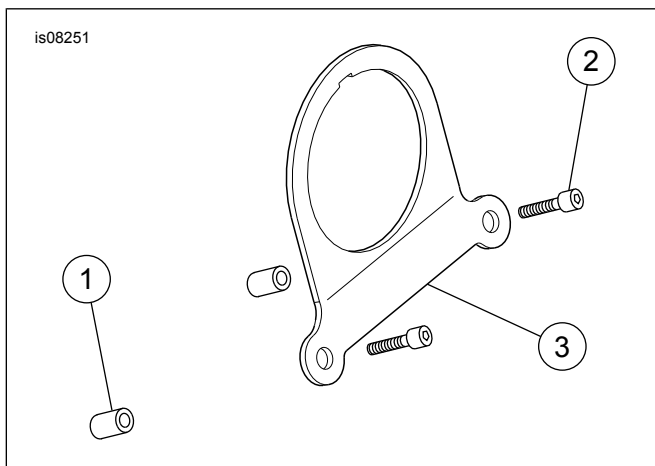


Figure 1. Service Parts

Table 3. Service Parts

Item	Description (Quantity)	Part Number
1	Spacer (2)	5775
2	Capscrew (2)	4816A
3	Tach mount	668110-05