



INSTRUCTIONS

J04371

2015-03-17



EXPRESS RIDER SADDLEBAG KIT

GENERAL

Kit Number

88312-07A, 90201325

Models

For model fitment information, see the P&A Retail Catalog or the Parts and Accessories section of www.harley-davidson.com (English only).

Additional Parts Required

This kit requires the separate purchase of a turn signal relocation kit. See the P&A catalog for your model motorcycle.

⚠ WARNING

Do not exceed saddlebag weight capacity. Put equal weight in each bag. Too much weight in saddlebags can cause loss of control, which could result in death or serious injury. (00383a)

NOTE

Maximum saddlebag weight is seven pounds (3.2 Kg) for each bag.

⚠ WARNING

Rider and passenger safety depend upon the correct installation of this kit. Use the appropriate service manual procedures. If the procedure is not within your capabilities or you do not have the correct tools, have a Harley-Davidson dealer perform the installation. Improper installation of this kit could result in death or serious injury. (00333b)

NOTE

This instruction sheet references service manual information. A service manual for your model motorcycle is required for this installation and is available from a Harley-Davidson dealer.

Kit Contents

See Figure 2 and Table 1.

INSTALLATION

⚠ WARNING

To prevent accidental vehicle start-up, which could cause death or serious injury, disconnect negative (-) battery cable before proceeding. (00048a)

1. Refer to the owner's manual and follow the instructions given to remove the seat and disconnect the negative battery cable. Save seat mounting hardware for later use.

- To provide adequate clearance for installation, follow instructions in the service manual to remove lower bolt, washer and nut from rear shock absorbers.
- Raise and properly support motorcycle under frame with stand or suitable blocking following the instructions in the service manual.
- See Figure 1. Remove and discard front and rear button head screws (1), two locknuts (2) and under fender clip nuts (3) from the left and right rear fender support covers (4).

NOTE

Rear turn signals must be relocated, see Step 5.

- Follow the instructions provided with the Turn Signal Relocation Kit to relocate the rear turn signals for your model motorcycle.

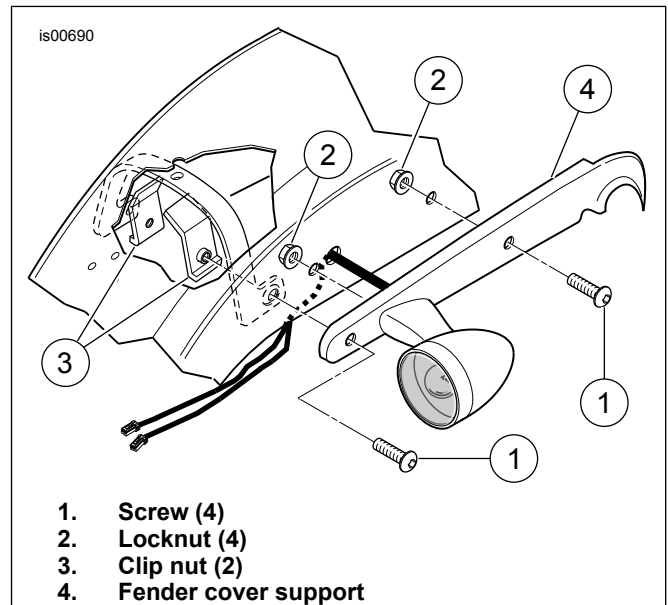


Figure 1. Rear Fender Support Removal

- See Figure 2. From the underside of the fender, install screw (3) and washer (9) from kit through the rear fender hole and screw (4) and washer (9) through the front fender hole and into the fender support and cover, where the two button head screws were previously removed in Step 4.
- Install the short spacer (6) onto the rear bolt and the long spacer (5) onto the front bolt.
- Slide the saddlebag onto the bolts until bushings are seated onto the saddlebag bracket.

9. Thread top-hat washers (7) and flange locknuts (8) to bolts on the inside of the saddlebag. Make sure that the smaller diameter of the top-hat washer is inserted into the plastic tub of the saddlebag. Tighten both flange locknuts to 33–37 N·m (24–27 ft-lbs).
10. Lower the motorcycle. Follow instructions in service manual to install the lower shock absorber bolt, washer and nut on both sides of motorcycle. Tighten bolts to 68 N·m (50 ft-lbs).

Install Reflectors

▲ WARNING

Federal Motor Vehicle Safety Standard (FMVSS) 108 requires motorcycles to be equipped with rear and side reflectors. Be sure rear and side reflectors are properly mounted. Poor visibility of rider to other motorists can result in death or serious injury. (00336b)

1. Measure approximately 1-1/2 in (38 mm) from the bottom edge of the saddlebag. Align the reflector horizontally.
 - a. On saddlebags with straps, carefully center the reflector mount between the straps.
 - b. On saddlebags without straps, locate the reflector mount at the rearward portion of the bag.

2. See Figure 2. Position reflector mount (12) on saddlebag.
3. Mark holes on saddlebag with pen (or other appropriate tool).
4. Using appropriate tool, make two 3/16 in holes in saddlebag.
5. Using soapy water, clean the reflector mounting surface of the reflector mount (12).
6. Allow the surface to dry completely before continuing.
7. Remove backing from adhesive on reflector (11) and install on mount (12).
8. Let the adhesive cure for at least 24 hours at no less than 60°F (16°C). Keep area dry. Do not expose to extreme temperatures.
9. Install reflector mount (12) on saddlebag using two push nuts (13).
10. Repeat procedure for opposite saddlebag.

Return to Service

1. Refer to the owner's manual and install the seat and the negative battery cable.

SERVICE PARTS

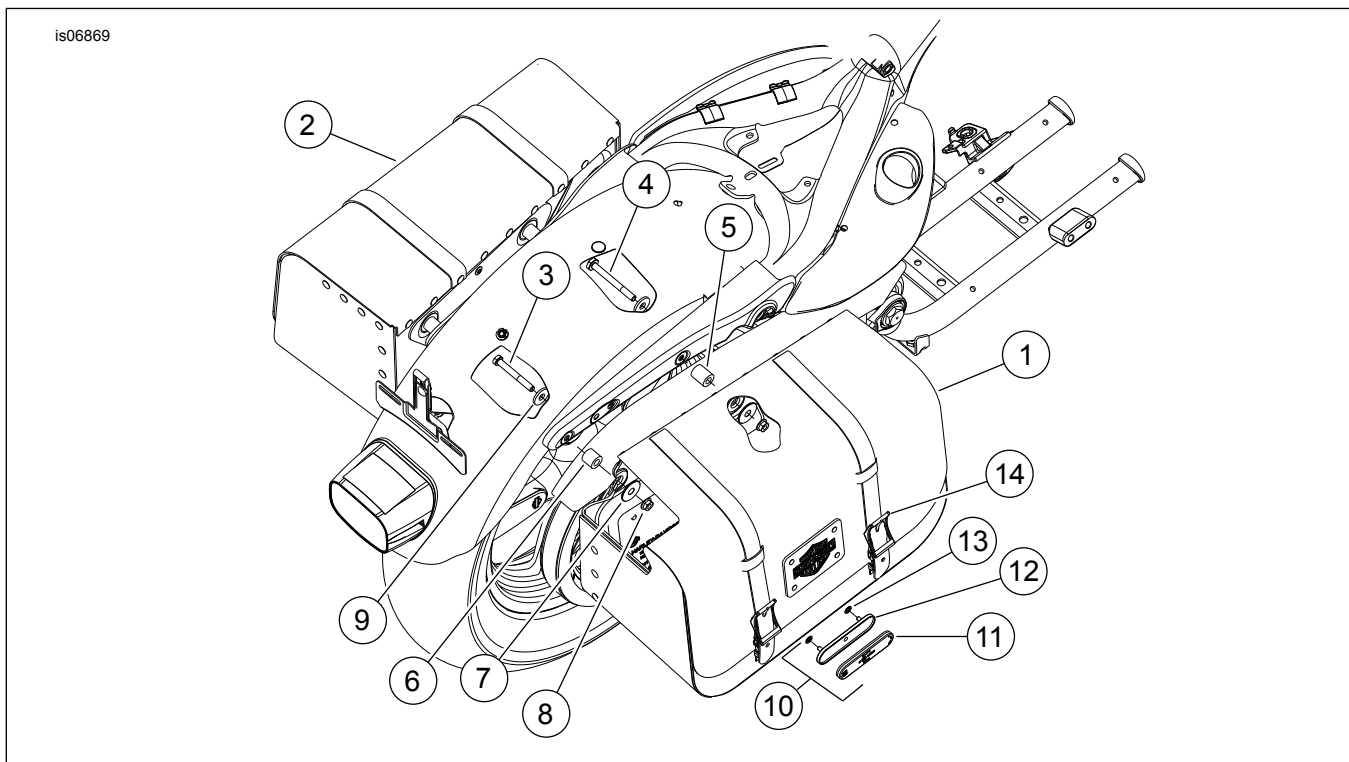


Figure 2. Service Parts: Express Rider Saddlebag Kit

Table 1. Service Parts Table

Item	Description (Quantity)	Part Number
1	Saddlebag assy, right, includes 2x item 14	88318-07A
2	Saddlebag assy, left, includes 2x item 14	88317-07A
3	Screw, hex head, 5/16"-18-2.5 inch, grade 8 (2) (for Kit 88312-07A)	Not Sold Separately
	Screw, hex head, 5/16"-18-3.0 inch, grade 8 (2) (for Kit 90201325)	Not Sold Separately
4	Screw, hex head, 5/16"-18-3.0 inch, grade 8 (2) (for Kit 88312-07A)	Not Sold Separately
	Screw, hex head, 5/16"-18-3.5inch, grade 8 (2) (for Kit 90201325)	10200418

Table 1. Service Parts Table

Item	Description (Quantity)	Part Number
5	Spacer, long, 0.90 inch (2) (for Kit 88312-07A)	11834
	Spacer, long, 1.40 inch (2) (for Kit 90201325)	12400115
6	Spacer, short, 0.70 inch (2) (for Kit 88312-07A)	11833
	Spacer, short, 1.20 inch (2) (for Kit 90201325)	12400114
7	Washer, top-hat (4)	Not Sold Separately
8	Locknut, flange, 5/16"-18 (4)	7531
9	Washer, flat, hardened, 5/16" nominal (4)	6408HB
10	Reflector kit (2), includes items 11-13	59480-04A
11	• Reflector, red	Not Sold Separately
12	• Mount, reflector	Not Sold Separately
13	• Pushnut	8126A
14	Buckle with male quick-disconnect clip (4)	88315-07
15	Leather dressing (not shown)	98836-92