



INSTRUCTIONS

J04464

2010-03-08



ADJUSTABLE AIR DEFLECTOR KIT

GENERAL

Kit Numbers

58156-08A (Dark Smoke), 58166-08A (Light Smoke)

Models

For model fitment information, see the P&A Retail Catalog or the Parts and Accessories section of www.harley-davidson.com (English only).

Kit Contents

See Figure 2 and Table 1.

INSTALLATION

1. See Figure 1. **Models with NO air deflectors installed:** Remove and discard the eight hole plugs (1) from the right and left edges of the inner fairing assembly. **Models WITH air deflectors currently installed:** Remove and discard the eight screws that retain the right and left air deflectors. Remove and discard the deflectors.
2. See Figure 2. Select a right-side (1) or left-side (2) air deflector, and four screws (3) from the kit. Determine the correct side by holding the mounting-hole side of the deflector against the fairing.
3. Place the deflector against the inner fairing, lining up the holes. Insert the screws through the deflector holes and into the fairing air deflector holes. Tighten the screws to 2.8–3.4 N·m (25–30 in-lbs).

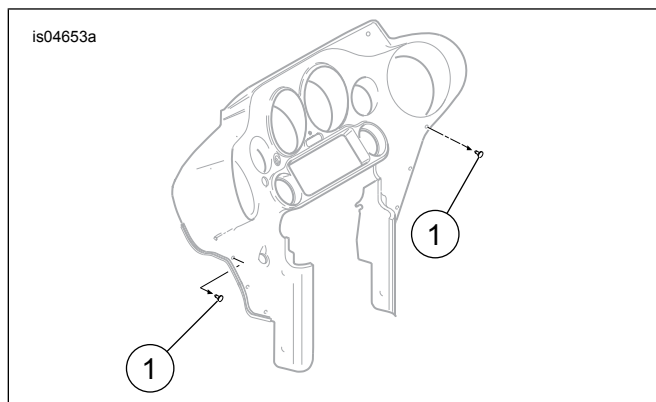


Figure 1. Remove Hole Plugs

SERVICE PARTS

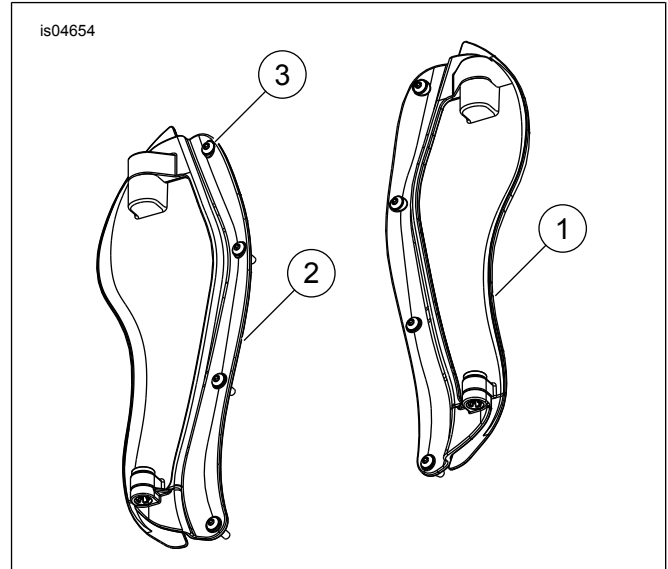


Figure 2. Service Parts: Adjustable Air Deflector Kit

Table 1. Service Parts Table

Item	Description (Quantity)	Part Number
1	Air deflector, adjustable (right side) - Dark Smoke	58128-08A
	Air deflector, adjustable (right side) - Light Smoke	57655-08A
2	Air deflector, adjustable (left side) - Dark Smoke	58129-08A
	Air deflector, adjustable (left side) - Light Smoke	57657-08A
3	Screw (8)	2563