



INSTRUCTIONS

J04466

2007-06-29



FXCW SOLO LUGGAGE RACK KIT

GENERAL

Kit Number

53957-08

Models

For model fitment information, please see the P&A Retail Catalog or the Parts and Accessories section of www.harley-davidson.com (English only).

Additional Parts Required

FXCW Solo Support Strut Structure, kit 53935-08, is required.

Separate purchase of LOCTITE® 243 Threadlocker and Sealant - Blue (part number 99642-97) is required for proper installation of this kit. LOCTITE can be purchased from any Harley-Davidson Dealer.

Kit Contents

See Figure 2 and Table 1.

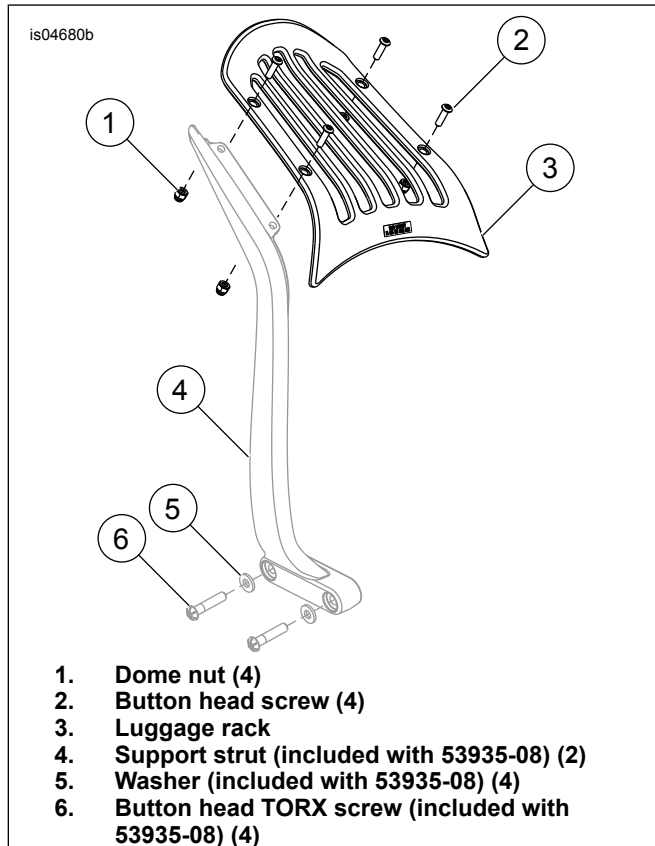


Figure 1. Install Luggage Rack to Supports (right side shown)

INSTALLATION

1. See Figure 1. Apply LOCTITE 243 to thread of screws (2).
2. Install the luggage rack (3) to the support struts (included with kit number 53935-08) (4) with screws (2) and nuts (1).
3. Tighten screws to 12–16 N·m (9–12 ft·lbs).

⚠ WARNING

Do not exceed luggage rack weight capacity. Too much weight can cause loss of control, which could result in death or serious injury. (00373a)

4. Install the support struts following the instructions in the support strut kit (part number 53935-08).

NOTE

Maximum luggage weight capacity is 25 lbs.

SERVICE PARTS

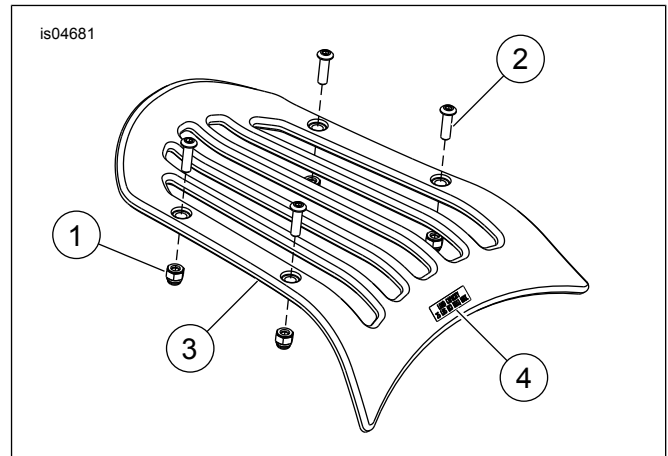


Figure 2. Service Parts: FXCW Solo Luggage Rack

Table 1. Service Parts Table

Item	Description (Quantity)	Part Number
1	Nut, dome 1/4-20 UNC (4)	8060
2	Screw, hex socket button head (4)	4015
3	Luggage rack	Not Sold Separately
4	Label	Not Sold Separately