



INSTRUCTIONS

J03361

2006-01-31



TOUR-PAK LID ORGANIZER KIT

GENERAL

Kit Number

54011-04

Models

This kit fits models equipped with a Harley-Davidson leather Tour-Pak (except 79189-06).

This kit will not work with Luggage Racks, Interior Light Kits, or Lock Kits.

NOTE

Maximum load capacity of the lid organizer is 5 lbs (2.3 Kg) evenly distributed. The combined load of lid organizer and Tour-Pak® must not exceed 25 lbs (11.3 Kg).

⚠ WARNING

Do not exceed Tour-Pak weight capacity. Too much weight can cause loss of control, which could result in death or serious injury. (00401c)

Kit Contents

Table 1. Kit Contents

Description	Part Number
Tour-Pak Lid Organizer	Not Sold Separately
Alcohol Wipe	Not Sold Separately

INSTALLATION

1. See Figure 1. Open leather Tour-Pak so inside of lid is exposed.
2. Wash inside of Tour-Pak lid with warm, soapy water. Rinse and dry thoroughly.
3. See Figure 1. Use alcohol wipe (saturated with 70% isopropyl alcohol) included in kit to thoroughly clean Tour-Pak lid surface. Make sure any residue is removed, then allow lid to dry completely. Make sure the surface is free of condensed moisture.

NOTE

The ideal temperature range for applying the tape is 70°-100° F (21-38° C). Minimum application temperature is 50° F (10° C). If you attempt to apply the tape below these temperatures, the adhesive will become too firm to adhere readily.

4. See Figure 2. Hold organizer up to Tour-Pak lid (without removing the adhesive strips) to verify organizer fits properly within the recess of the lid.

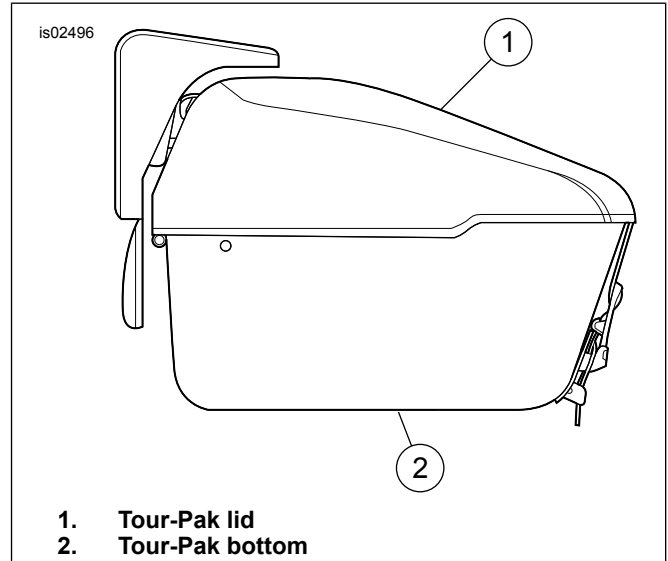


Figure 1. Leather Tour-Pak



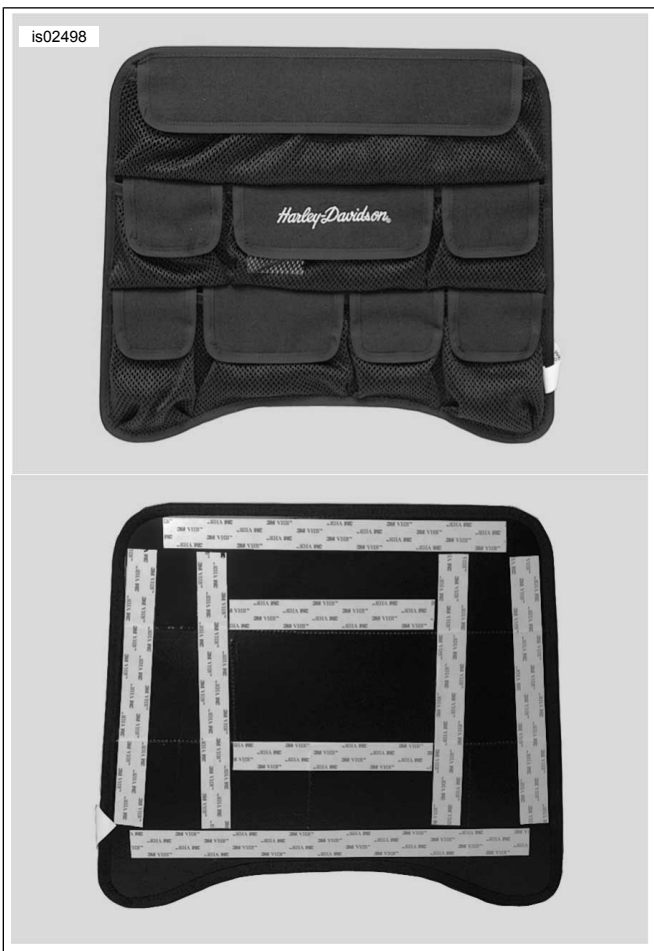


Figure 2. Tour-Pak Lid Organizer (Front and Back)

5. Remove adhesive strips from back of Tour-Pak lid organizer.
6. Carefully center Tour-Pak lid organizer and press firmly into place. Apply pressure from both outside of lid and around perimeter of organizer. Be sure to apply pressure to the entire length of tape to ensure proper adhesion.
7. Allow tape to cure for a minimum of 48 hours at 70° F (21° C) (allow extra time if temperature is below 70). Do not place items in the Tour-Pak lid organizer while adhesive is curing.
8. Close leather Tour-Pak lid and secure.