



INSTRUCTIONS

J04018

2006-05-28



SMOOTH AIR CLEANER COVER

GENERAL

Kit Number

29153-07

Models

This kit fits 1999 and later Twin Cam models equipped with Screamin' Eagle Air Cleaner Assembly.

Additional Parts Required

NOTE

A Screamin' Eagle Air Cleaner Assembly is required in order for the proper installation of this Smooth Air Cleaner Cover. Screamin' Eagle Air Cleaner Assemblies can be purchased separately or as a component part of a Screamin' Eagle Stage Kit. Contact your Harley-Davidson dealer for information.

Kit Contents

See Figure 1 and Table 1.

There are no Service Parts available with this kit.

INSTALLATION

1. Remove air cleaner cover screw (A) and air cleaner cover. Retain screw.

NOTE

Before installing screw (A), apply Loctite 243 (blue) (Harley-Davidson part number 99642-97) to screw threads.

2. Install new smooth air cleaner cover (1) (with cutout facing down) using screw (A) retained in Step 1 over air filter (B). Tighten screw to 3-5 ft-lbs (4-7 Nm).

SERVICE PARTS

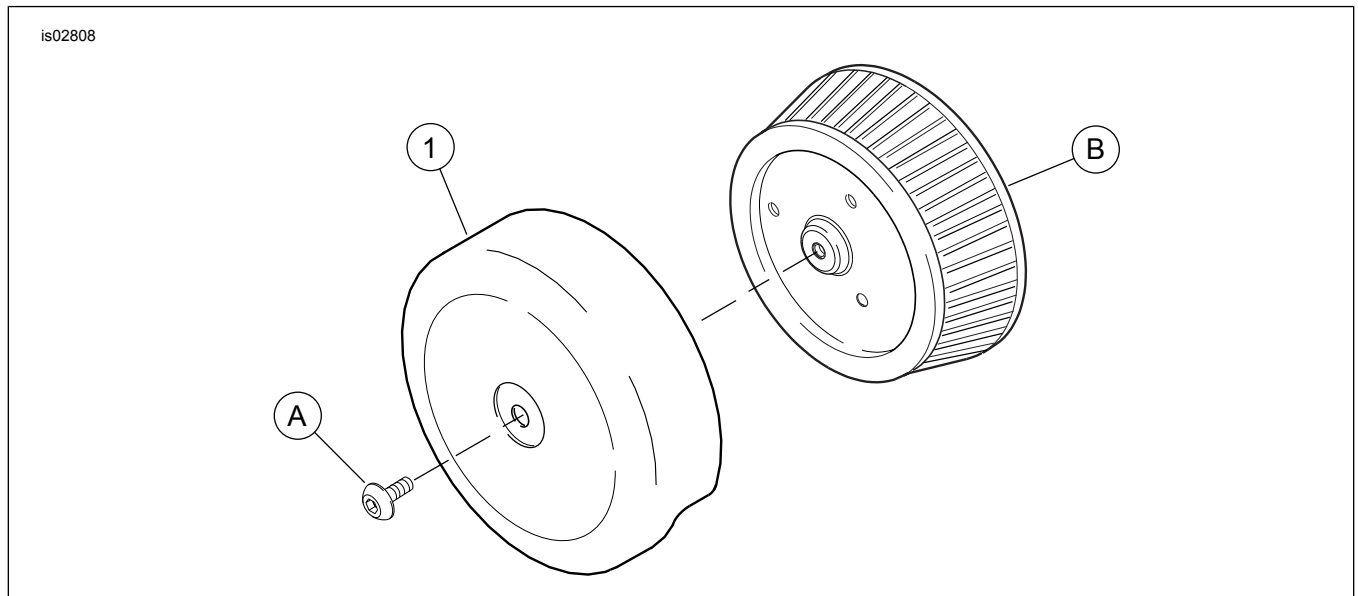


Figure 1. Service Parts: Smooth Air Cleaner Cover Kit

Table 1. Service Parts Table

Item	Description (Quantity)	Part Number
1	Smooth Air Cleaner Cover	Not sold separately
Items mentioned in text but not included in kit:		
A	Screw	
B	Air filter	