



INSTRUCTIONS

J04214

2007-08-22



SOFTAIL ADJUSTABLE PASSENGER FOOTBOARD SUPPORT KIT

GENERAL

Kit Numbers

50769-07, 50365-07

Models

For model fitment information, please see the P&A Retail Catalog or the Parts and Accessories section of www.harley-davidson.com (English only).

Additional Parts Required

Installation of these kits on 2000 and later FLSTC models equipped with factory-installed leather saddlebags require the Bracket Relocation Kit (90238-00) be installed first. The Bracket Relocation Kit must be purchased separately from a Harley-Davidson Dealer.

These kits also require the separate purchase of the Passenger Footboard Kit, which is available from a Harley-Davidson Dealer.

Kit Contents

See Figure 1 and Table 1.

INSTALLATION

Remove Existing Equipment

1. Remove existing footpeg and attaching hardware.
2. Remove chrome swingarm pivot covers, if so equipped.

3. Do not remove tool box, if so equipped.

Install Passenger Footboard Support

1. See Figure 1. Install footboard mounts (3) and (4) as follows:
 - a. Position footboard mount and insert screw (6) through part and into footpeg mounting hole in frame.
 - b. Position semi-circular cutout in mount extending from side of mount around nut of swingarm pivot bolt.
 - c. Tighten screw (6) to 45-60 ft-lbs (61-67.8 Nm).

Install Adjustable Passenger Footboard Support

1. Position footboard support (1 and 2) on mounting stud so that bolt hole aligns with machined groove in stud.
2. Insert screw (5) through left side in split hub of footboard support. Thread into tapped hole (right side) of split hub.
3. Tighten screw (5) to 10 ft-lbs (13.6 Nm).
4. Place spring (8) into retaining hole in footboard support. Rest ball (9) on top of spring.
5. Refer to appropriate I-Sheet for instructions to install the footrest (B) and pivot pins (7) for your motorcycle.

Footboard Adjustment

To adjust the footboards: Loosen the lower adjusting screws so that the arm will rotate forward, and then loosen the upper screw to adjust the footboard location. Retighten both screws to 22-28 ft-lbs (29.83-37.96 Nm) before operating the vehicle.

SERVICE PARTS

is04110

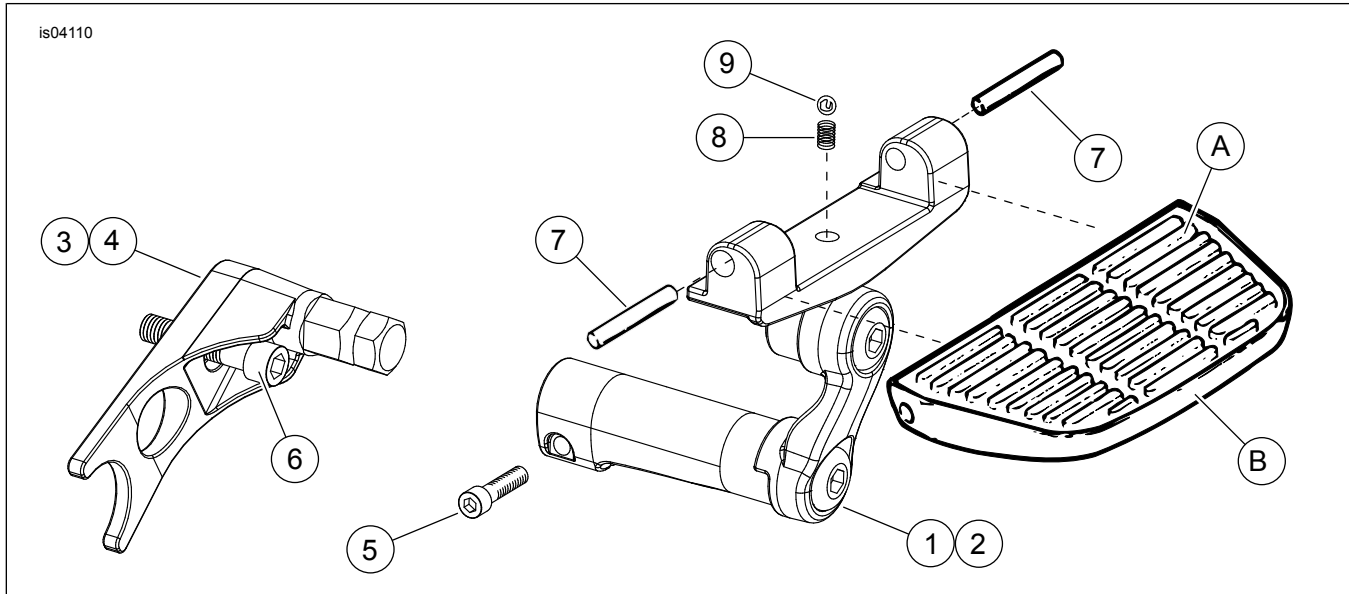


Figure 1. Service Parts: Softail Adjustable Passenger Footboard Support Kit

Table 1. Service Parts Table

Kit	Item	Description (Quantity)	Part Number
Kit 50769-07	1	Footboard support, adjustable, right (chrome)	50770-06
Footboard Support Kit	2	Footboard support, adjustable, left (chrome)	50773-06
Kit 50365-07	1	Footboard support, adjustable, right (black)	50366-07
Footboard Support Kit	2	Footboard support, adjustable, left (black)	50371-07
Items common to all Footboard Kits:			
	3	Support arm adapter, right (black)	50481-00
	4	Support arm adapter, left (black)	50483-00
	5	Screw (2)	852A
	6	Screw (2)	4310
	7	Pivot (2)	Not Sold Separately
	8	Spring	51501-07
	9	Ball, Delrin	8861
Items mentioned in text, but not included in kit:			
	A	Rubber pad	
	B	Footboard	