



# INSTRUCTIONS

J03378

2004-06-07



## STARTER END COVER KIT

### GENERAL

#### Kit Number

31795-04

#### Models

This kit fits 1990 and later EVO 1340 (except touring models), 1999 and later TC88 model motorcycles.

#### NOTE

*This kit does not fit models equipped with the Oil Spout Cover, kit number 66133-99, Oil Vent Hose Cover kit 37961-02, or High Performance Starter kit 31559-99.*

#### NOTE

*A Service Manual for your model motorcycle is available at your Harley-Davidson Dealer.*

#### Kit Contents

See Figure 1 and Table 1.

### INSTALLATION

#### ⚠ WARNING

To prevent accidental vehicle start-up, which could cause death or serious injury, disconnect battery cables (negative (-) cable first) before proceeding. (00307a)

#### ⚠ WARNING

Disconnect negative (-) battery cable first. If positive (+) cable should contact ground with negative (-) cable connected, the resulting sparks can cause a battery explosion, which could result in death or serious injury. (00049a)

1. Disconnect battery cables, negative (-) cable first.
2. Remove screw from starter end cover plate.
3. Install new starter end cover along with the new screw provided in kit over the existing cover plate.

#### ⚠ WARNING

Connect positive (+) battery cable first. If positive (+) cable should contact ground with negative (-) cable connected, the resulting sparks can cause a battery explosion, which could result in death or serious injury. (00068a)

### SERVICE PARTS

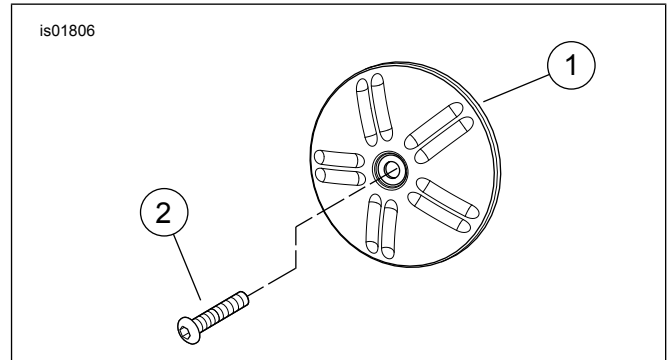


Figure 1. Service Parts: Starter End Cover Kit

Table 1. Service Parts: Starter End Cover Kit

Item	Description (Quantity)	Part Number
1	Starter End Cover	31795-04
2	Screw, Hex Socket Buttonhead, .250-28 x .625 inch w/Lockpatch	1073

