



# INSTRUCTIONS

J04587

2008-05-27



## DYNA DOCKING HARDWARE KIT

### GENERAL

#### Kit Number

53797-09

#### Models

For model fitment information, see the P&A Retail Catalog or the Parts and Accessories section of [www.harley-davidson.com](http://www.harley-davidson.com) (English only).

#### Additional Parts Required

**With Saddlebags:** Directional Relocation kit, Part Number 68227-09 must also be used.

**Without Saddlebags:** Directional Relocation kit, Part Number 53968-06C must also be used.

Loctite 243 (Blue) (Harley-Davidson Part Number 99642-97) is available from any Harley-Davidson dealer.

#### Kit Contents

See Figure 1 and Table 1.

### INSTALLATION

#### Installing the Front Docking Point

##### ⚠ WARNING

To prevent accidental vehicle start-up, which could cause death or serious injury, disconnect negative (-) battery cable before proceeding. (00048a)

1. Remove the seat and disconnect the negative (-) battery cable.

##### NOTE

To keep the fender aligned, complete ALL the following procedures on one side of the motorcycle before starting the other side.

2. See Figure 1 and Table 1. Apply Loctite 243 (Blue) to button head bolt (2) prior to installation. Place the tapered side of front docking point (1) against the strut. Insert button head bolt (2) through the docking point, fender and fender mounting bracket (5). Tighten to 16.3–24.4 N·m (12–18 ft-lbs).
3. Apply Loctite 243 (Blue) to button head bolt (4) prior to installation. Install spacer recess cover (6), rear docking point (3) and bolt (4) to fender mounting bracket and tighten to 16.3–24.4 N·m (12–18 ft-lbs).
4. Install negative battery cable.

##### ⚠ WARNING

After installing seat, pull upward on seat to be sure it is locked in position. While riding, a loose seat can shift causing loss of control, which could result in death or serious injury. (00070b)

5. Install seat.

### Maintenance

##### NOTE

In time, the docking points may wear causing the mating luggage rack or sideplates to become loose. The fit may be tightened using the following procedure.

1. Loosen the docking hardware.
2. Rotate the docking points clockwise approximately 45°.
3. Tighten the docking hardware to the appropriate torque values as indicated in the installation procedures.

This procedure can be repeated up to 3 times before replacement of the docking points is recommended.



# SERVICE PARTS

is05259a

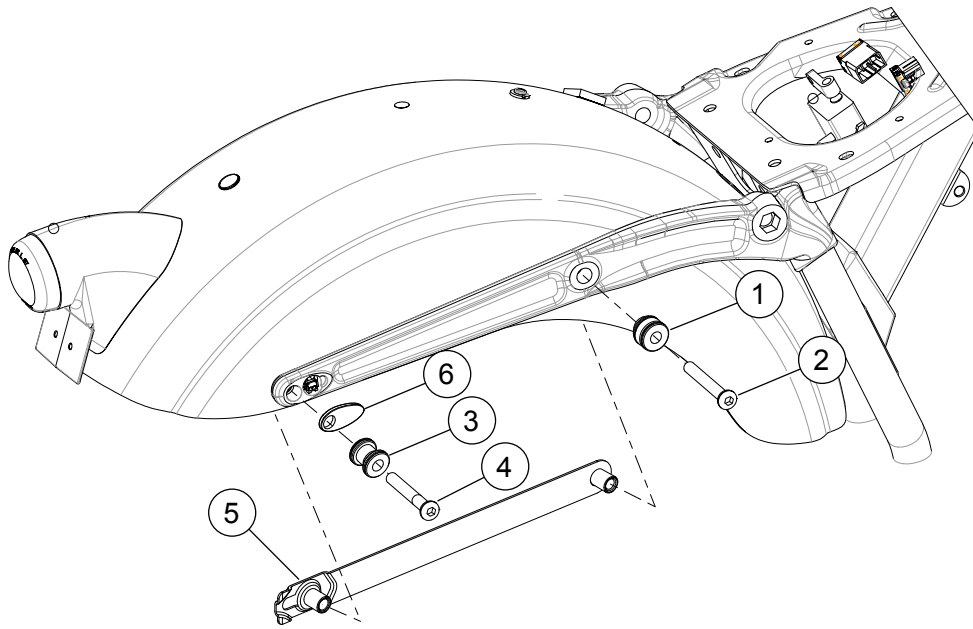


Figure 1. Service Parts: FXDB Docking Hardware Kit

Table 1. Service Parts Table

Item	Description (Quantity)	Part Number
1	Docking point, front (2)	53697-06
2	Screw, button head, 3/8"-16 x 1-3/4", chrome (2)	4203
3	Docking point, rear (2)	53684-96A
4	Screw, hex socket button head (2)	4118
5	Rear fender mounting bracket (2)	60181-09
6	Recess cover spacer (2)	47531-06