



INSTRUCTIONS

J04705

2008-08-13



VRSCF LUGGAGE RACK KIT

GENERAL

Kit Number

53315-09

Models

For model fitment information, see the P&A Retail Catalog or the Parts and Accessories section of www.harley-davidson.com (English only).

Additional Parts Required

⚠ WARNING

Rider and passenger safety depend upon the correct installation of this kit. Use the appropriate service manual procedures. If the procedure is not within your capabilities or you do not have the correct tools, have a Harley-Davidson dealer perform the installation. Improper installation of this kit could result in death or serious injury. (00333b)

NOTE

This instruction sheet references service manual information. A service manual for your model motorcycle is required for this installation and is available from a Harley-Davidson Dealer.

Kit Contents

See Figure 5 and Table 1.

⚠ WARNING

Do not exceed luggage rack weight capacity. Too much weight can cause loss of control, which could result in death or serious injury. (00373a)

NOTE

Maximum luggage rack weight capacity is 10 lbs (4.5 Kg).

REMOVAL

1. See Figure 1. Remove four rear fender mounting bolts (1) and washers (2). If necessary, move the ECM to access the four fender mounting bolts.
2. Disconnect the tail lamp following the instructions in the appropriate service manual.

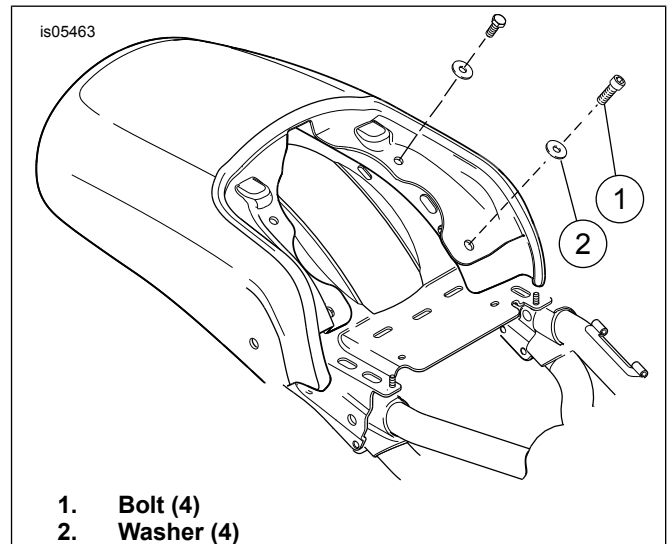


Figure 1. Fender Mounting Bolts

INSTALLATION

NOTE

There are bosses molded into the inside of the fender to use as the hole drilling templates.

1. See Figure 2. Apply masking tape to the outside painted surface of the fender at the three hole locations (1 and 2). This will protect the painted surface during the drilling operation.
2. Put the fender on a work bench, painted surface down. Use clean, soft cloth between the fender and the work bench to protect the paint finish.

NOTE

Drilling each hole in the fender is a two-step procedure that requires a specific type of drill bit to avoid damaging the fender.

3. See Figure 2. Use a 1/2-inch spade bit or 1/2-inch unibit (do **not** use a spiral-type drill bit) to drill three holes from the inside of the fender through the three pilot hole bosses (1 and 2). Stop drilling when the tip of the bit just pierces the outside surface of the fender.
4. Turn the fender over so the painted surface is now facing up. Complete each hole by using the same 1/2-inch drill bit at each of the pierced holes. Clean excess material from the holes and clean the fender surface of any debris.
5. See Figure 5. Remove the masking tape from the holes and apply the protective tape (3) to the painted surface using the drilled holes for alignment.

6. See Figure 3. Put the luggage rack (1) upside down on the work bench and align the holes in the luggage rack with the holes in the fender (2).
7. See Figure 5. Insert spacers (4) in the forward mount locations in the fender.
8. Align the luggage rack bracket (1) with the spacers. Install screws (6) and tighten finger-tight.
9. Install the two screws (5) in the forward mount locations and tighten finger-tight.
10. Verify proper alignment of all components and then tighten the three screws to 7–9 N·m (62–80 in-lbs).
11. Install the tail lamp following the instructions in the appropriate service manual.
12. Align the holes in the fender with the holes in the frame.
13. See Figure 4. Install the carriage bolts (1) through the slots on the luggage rack bracket and the frame. Install the flange nut (2) and tighten finger-tight.
14. See Figure 5. Install two screws (10) and flat washers (9) through the holes in the seat pan and into the weld nuts on the luggage rack support bracket (1). Tighten finger-tight.
15. Verify alignment and position of the fender.
16. See Figure 1. Install four fender mounting bolts (1) and washers. Tighten to 20–26 N·m (15–19 ft-lbs).
17. See Figure 5. Tighten the nuts (8) and screws (10) to 7–9 N·m (62–80 in-lbs).

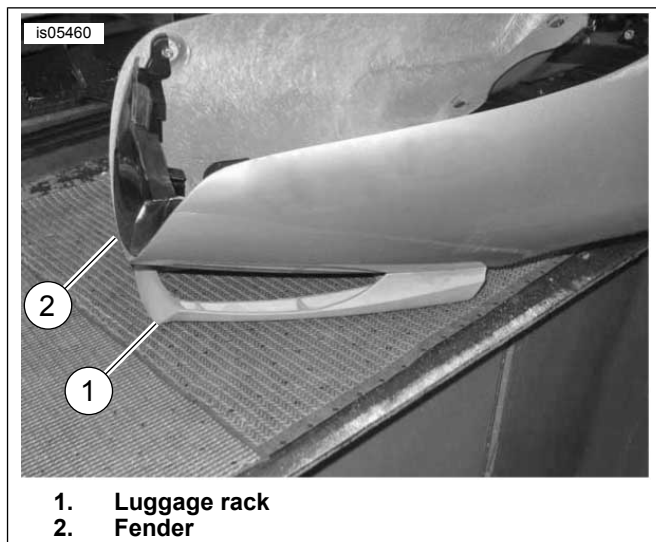


Figure 3. Align Luggage Rack and Fender

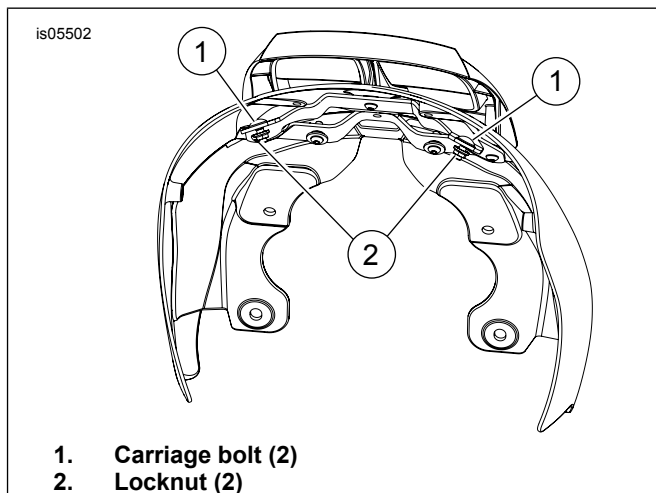


Figure 4. Install Carriage Bolts

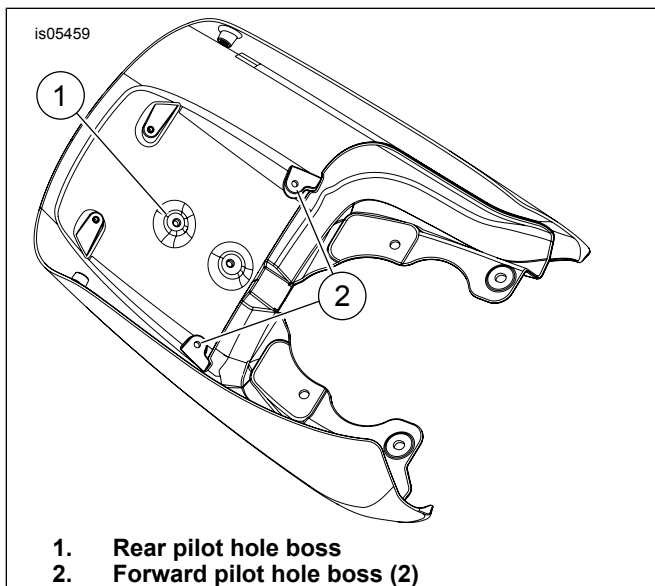


Figure 2. Inside of Fender

SERVICE PARTS

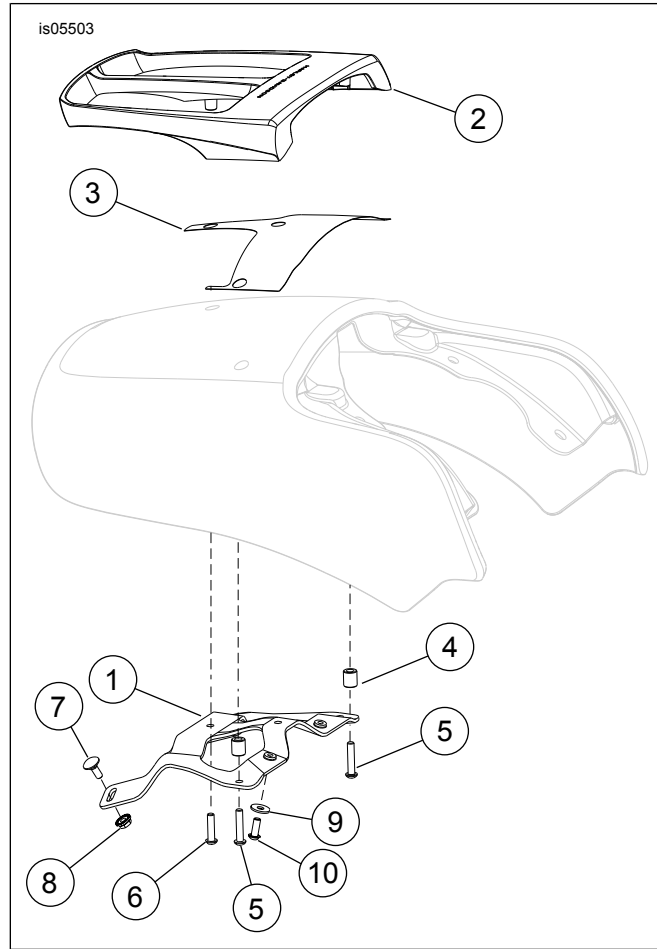


Figure 5. Service Parts: VRSCF Luggage Rack

Table 1. Service Parts Table

Item	Description (Quantity)	Part Number
1	Bracket	Not Sold Separately
2	Luggage rack	Not Sold Separately
3	Protective tape	53737-09
Hardware Kit (includes items 4 through 10)		54230-09
4	Spacer (2)	Not Sold Separately
5	Screw, M6 x 30 mm (2)	Not Sold Separately
6	Screw, M6 x 25 mm	Not Sold Separately
7	Carriage bolt, M6 x 16 mm (2)	Not Sold Separately
8	Flange nut, M6 (2)	Not Sold Separately
9	Washer, M6 (2)	Not Sold Separately
10	Screw, M6 x 16 mm (2)	Not Sold Separately