



INSTRUCTIONS

J04293

2015-03-27



FRONT BRAKE MASTER CYLINDER COVER KIT

GENERAL

Kit Number

42123-08, 41700297, 41700334, 41700338

Models

For model fitment information, see the P&A Retail Catalog or the Parts and Accessories section of www.harley-davidson.com (English only).

Kit Contents

See Figure 1 and Table 1.

INSTALLATION

Rest motorcycle on jiffy stand, with front wheel turned toward the right fork stop and master cylinder in a level position.

⚠ WARNING

Contact with DOT 4 brake fluid can have serious health effects. Failure to wear proper skin and eye protection could result in death or serious injury.

- If inhaled: Keep calm, remove to fresh air, seek medical attention.
- If on skin: Remove contaminated clothing. Rinse skin immediately with plenty of water for 15-20 minutes. If irritation develops, seek medical attention.
- If in eyes: Wash affected eyes for at least 15 minutes under running water with eye lids held open. If irritation develops, seek medical attention.
- If swallowed: Rinse mouth and then drink plenty of water. Do not induce vomiting. Contact Poison Control. Immediate medical attention required.
- See Safety Data Sheet (SDS) for more details available at sds.harley-davidson.com

(00240e)

NOTICE

DOT 4 brake fluid will damage painted and body panel surfaces it comes in contact with. Always use caution and protect surfaces from spills whenever brake work is performed. Failure to comply can result in cosmetic damage. (00239c)

Cover nearby motorcycle surfaces with a polyethylene protective sheet to help protect against damage to finish caused by spillage of DOT 4 brake fluid.

If DOT 4 brake fluid contacts painted surfaces, IMMEDIATELY flush area with clear water.

1. Clean the front brake master cylinder cover and the surrounding area. Remove and discard the original cover, gasket and screws.

NOTE

The brake system on this vehicle uses DOT 4 BRAKE FLUID. Do not mix grades of brake fluid as they are not compatible. Mixing different types of fluid may adversely affect braking ability and lead to brake failure which could result in death or serious injury.

⚠ WARNING

Contact with DOT 4 brake fluid can have serious health effects. Failure to wear proper skin and eye protection could result in death or serious injury.

- If inhaled: Keep calm, remove to fresh air, seek medical attention.
- If on skin: Remove contaminated clothing. Rinse skin immediately with plenty of water for 15-20 minutes. If irritation develops, seek medical attention.
- If in eyes: Wash affected eyes for at least 15 minutes under running water with eye lids held open. If irritation develops, seek medical attention.
- If swallowed: Rinse mouth and then drink plenty of water. Do not induce vomiting. Contact Poison Control. Immediate medical attention required.
- See Safety Data Sheet (SDS) for more details available at sds.harley-davidson.com

(00240e)

2. Fill reservoir with DOT 4 brake fluid. Do not reuse old brake fluid. Use only DOT 4 fluid from a sealed container.

⚠ WARNING

Be sure the master cylinder relief port is not plugged. A plugged relief port can cause brake drag or lockup and loss of vehicle control, which could result in death or serious injury. (00317a)

3. Verify proper operation of the master cylinder relief port by actuating the brake pedal or lever. A slight spurt of fluid will break the fluid surface in the reservoir if internal components are working properly.

NOTE

Before installing the master cylinder cover, verify that the cover gasket bellows is not expanded. If bellows is expanded, brake fluid is ejected from the reservoir during cover installation, which could damage the vehicle finish.



4. See Figure 1. One end of the master cylinder cover is thinner than the other. Install the cover (with gasket compressed) on the master cylinder reservoir. Position the thinner end above the brake line fitting. Fasten the cover and gasket to the reservoir with the two captive Phillips-head screws. Tighten the screws to 0.8–1.2 N·m (7–11 in-lbs).

SERVICE PARTS

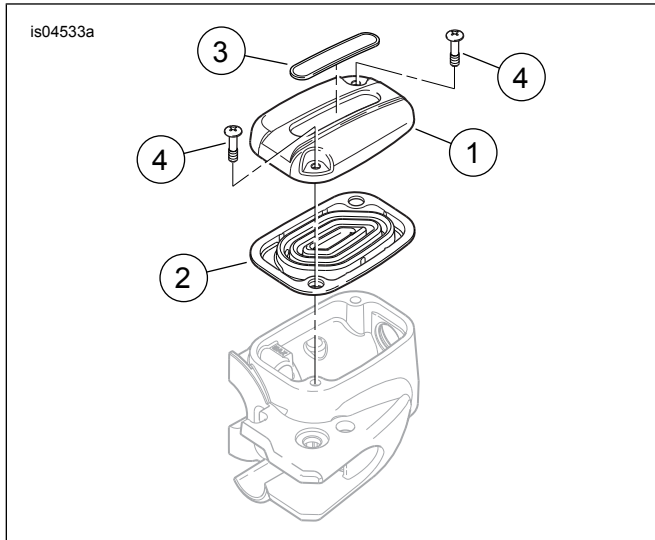


Figure 1. Service Parts, Master Cylinder Cover Kit

Table 1. Service Parts

Item	Description (Quantity)	Part Number
1	Cover, front brake master cylinder (includes two of Item 4)	Not sold separately
2	Gasket, master cylinder cover (for Kit 42123-08)	42857-06A
	Gasket, master cylinder cover (for Kit 41700297)	41700238
3	Decal, D.O.T. 4 brake fluid (for Kit 42123-08)	42856-06
	Decal (for Kit 41700297)	14100605
4	Screw, master cylinder cover, bright finish (2) (for Kit 42123-08)	42882-06
	Screw (2) (for Kit 41700297)	10500056
	Screw (2) (for Kit 41700334)	42858-06A
	Screw (2) (for Kit 41700338)	10500041