



INSTRUCTIONS

J04409

2016-09-30



FAT BOY DETACHABLE SADDLEBAGS

GENERAL

Kit Number

88306-07A, 90200616A

Models

For model fitment information, see the P&A retail catalog or the Parts and Accessories section of www.harley-davidson.com (English only).

Installation Requirements

All models require separate purchase of Rear Directional Relocation Kit (Part No. 69929-07).

Models equipped with Detachable Accessories require separate purchase of Docking Hardware Kit (Part No. 88256-07).

Models without Detachable Accessories require separate purchase of Docking Hardware Kit (Part No. 53932-03).

Models equipped with Rigid Accessories require separate purchase of Docking Hardware Kit (Part No. 88298-07).

Loctite[®] 243 (Blue) Threadlocker and Sealant (Part No. 99642-97).

⚠ WARNING

Rider and passenger safety depend upon the correct installation of this kit. Use the appropriate service manual procedures. If the procedure is not within your capabilities or you do not have the correct tools, have a Harley-Davidson dealer perform the installation. Improper installation of this kit could result in death or serious injury. (00333b)

NOTE

This instruction sheet references service manual information. A service manual for your model motorcycle is required for this installation. One is available from a Harley-Davidson dealer.

Kit Contents

See Figure 8 and Table 1.

NOTE

Maximum saddlebag weight capacity is 10 pounds (4.5 Kg.).

⚠ WARNING

Federal Motor Vehicle Safety Standard (FMVSS) 108 requires motorcycles to be equipped with rear and side reflectors. Be sure rear and side reflectors are properly mounted. Poor visibility of rider to other motorists can result in death or serious injury. (00336b)

⚠ WARNING

Rider and passenger safety depend upon the correct installation of this kit. Use the appropriate service manual procedures. If the procedure is not within your capabilities or you do not have the correct tools, have a Harley-Davidson dealer perform the installation. Improper installation of this kit could result in death or serious injury. (00333b)

INSTALLATION

Install Turn Signal Relocation Kit

1. Install the turn signal relocation kit using the instruction sheet provided in that kit.

Docking Point Installation

1. Refer to the instructions included with the Docking Hardware Kit.

Install Rear Docking Adapter

NOTE

*This procedure only applies to models **not** equipped with detachable accessories.*

1. See Figure 1. Insert rear docking adapter (1) into holes in saddlebag bracket and hold into place.
2. Install rear docking adapter using screw (2) and nut (3). Tighten snugly.
3. Repeat for other saddlebag.



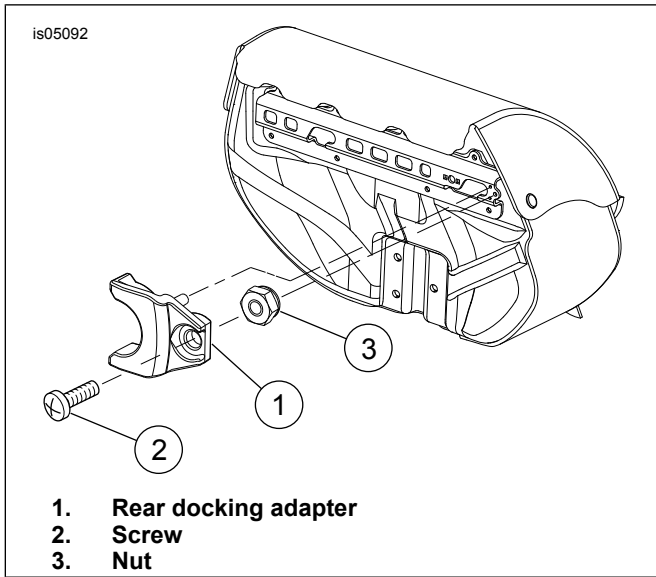


Figure 1. Install Rear Docking Adapter

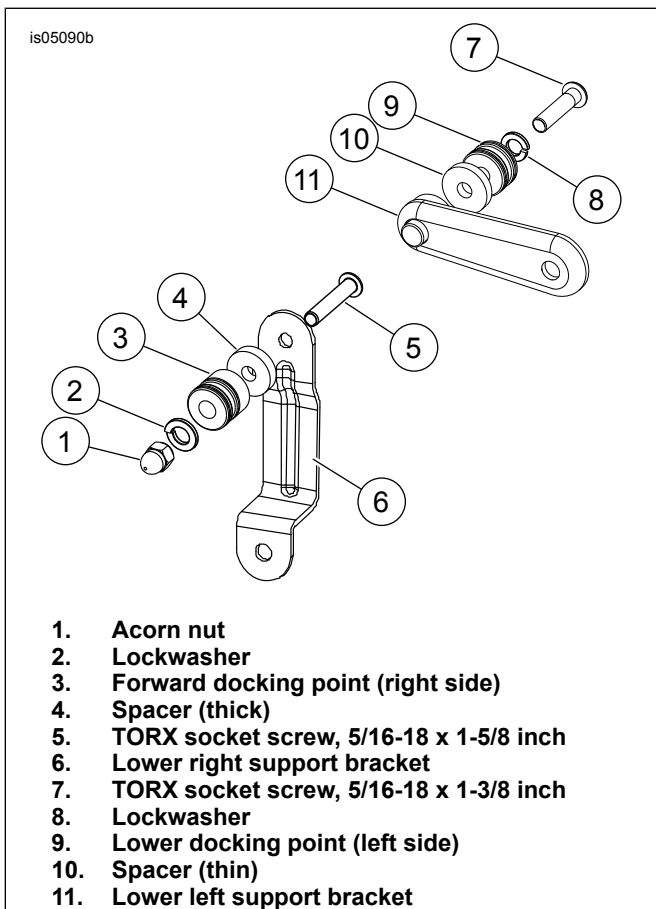


Figure 2. Support Bracket Assemblies (2007 model year)

Assemble Saddlebag Right Lower Support Bracket - 2007 Models

1. See Figure 2. Install the 1-5/8 inch hex socket screw (5) through backside of right lower bracket (6) and stack the following parts in order from the bracket out; spacer (4), forward docking point (3), lockwasher (2) and acorn nut (1).

2. Apply two or three drops of Loctite to screw threads.
3. Tighten screw to:
Torque: 16.3–24.4 N·m (12–18 ft-lbs)

Assemble Saddlebag Left Lower Support Bracket - 2007 Models

1. See Figure 2. Using the 1-3/8 inch TORX® socket screw (7) stack the following parts in order; lockwasher (8), lower docking point (9), spacer (10) and assemble to bracket (11).
2. Apply two or three drops of Loctite to screw threads.
3. Tighten screw to:
Torque: 16.3–24.4 N·m (12–18 ft-lbs)

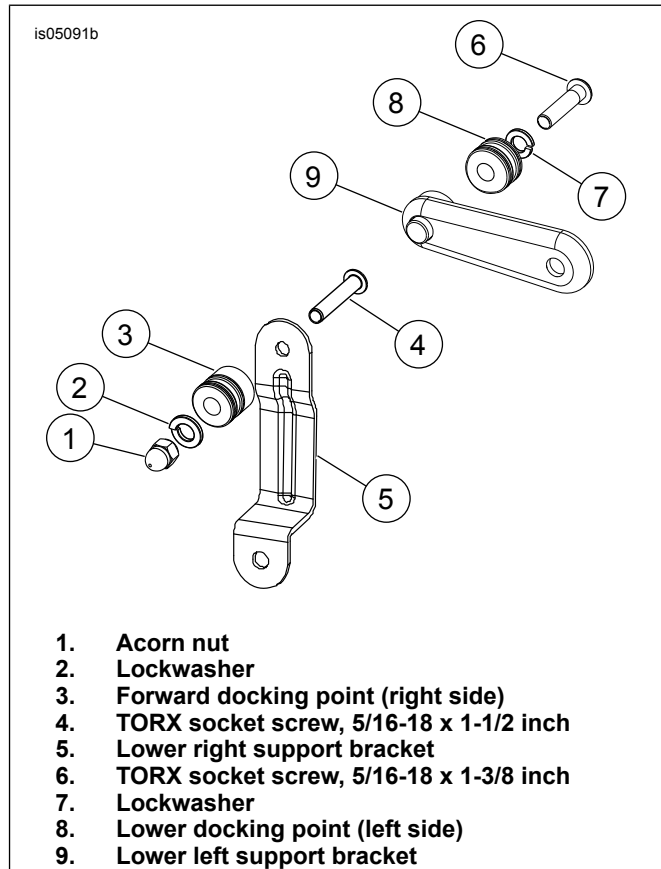


Figure 3. Support Bracket Assemblies (2008 model year)

Assemble Saddlebag Right Lower Support Bracket - 2008 and Later Models

NOTE

2008 models do not use the spacers provided.

1. See Figure 3. Using the 1-1/2 inch TORX socket screw (4) stack the following parts in order; through backside of right lower bracket (5), docking point (3), lockwasher (2) and acorn nut (1).
2. Apply two or three drops of Loctite to screw threads.

- Tighten screw to:
Torque: 16.3–24.4 N·m (12–18 ft-lbs)

Assemble Saddlebag Left Lower Support Bracket - 2008 and Later Models

- See Figure 3. Using the 1-3/8 inch TORX socket screw (6) stack the following parts in order; lockwasher (7), lower docking point (8), and assemble to bracket (9).
- Apply two or three drops of Loctite to screw threads.
- Tighten screw to:
Torque: 16.3–24.4 N·m (12–18 ft-lbs)

Install Lower Support Brackets

NOTE

The lower support brackets will be tightened to specific torques after the brackets are installed and all saddlebag supports are aligned.

The saddlebag installation procedure below must be performed immediately following Step 3 to prevent the Loctite from curing before the brackets are tightened to the specified torque.

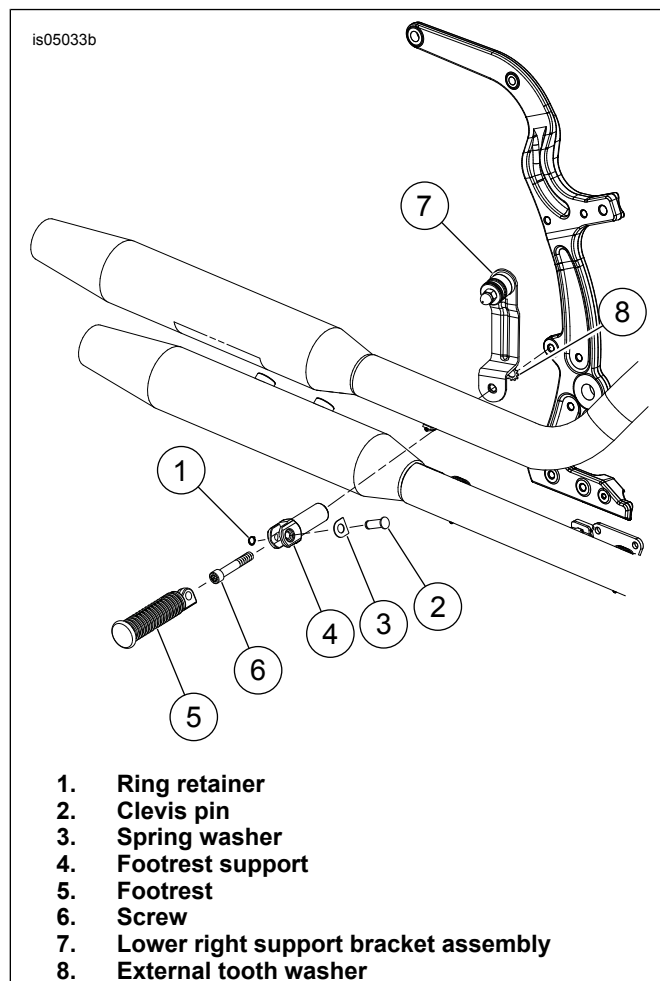


Figure 4. Lower Right Support Bracket Assembly

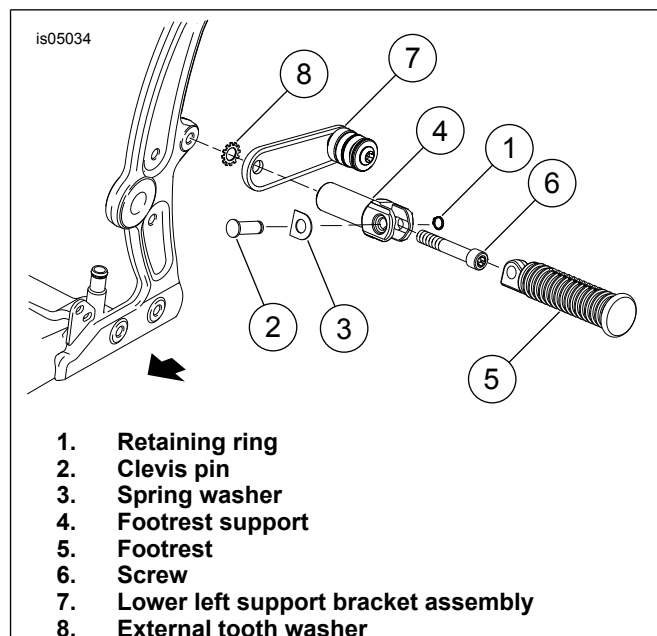


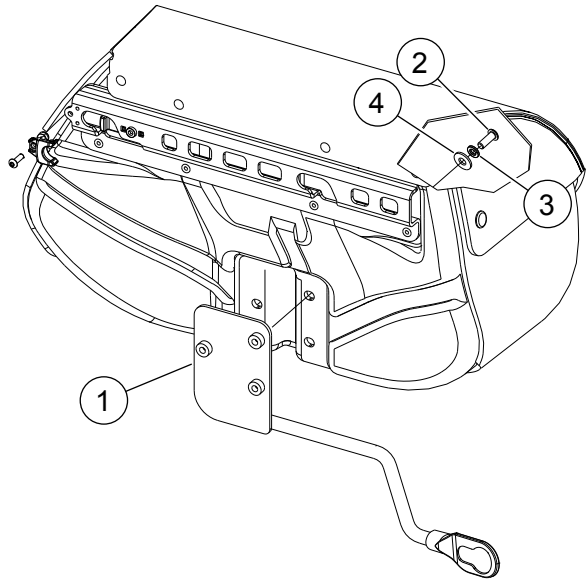
Figure 5. Lower Left Support Bracket Assembly

- See Figure 4. On the right side of the motorcycle remove the passenger footrest (5) retaining ring (1), clevis pin (2) and spring washer (3).
- Remove screw (6) from the frame and footrest support (4) and place the lower right support assembly and lockwasher to the footrest tab on the frame. Apply Loctite and install the footrest support and screw. Tighten the screw so that the bracket can be repositioned if necessary. Do not install the footrest at this time.
- See Figure 5. On the left side of the motorcycle repeat the footrest removal procedure and install the left support assembly pointing to the rear of the motorcycle. Tighten the screw (6) so that the bracket can be repositioned if necessary.

Install Saddlebag Lower Support Arms

- See Figure 6. Install left side lower support arm to saddlebag. Apply Loctite 243 - Blue to threads of screws (2). Loosely install lower support arm (1) on saddlebag using screws (2), lockwashers (3) and plain washers (4). The lower arm (1) mounts on the outside of the back of the saddlebag. The hardware mounts to the arm from inside the saddlebag.
- Hand tighten screws (2). They will be fully tightened during saddlebag installation.
- Repeat lower support arm assembly for the right side saddlebag.

is05079



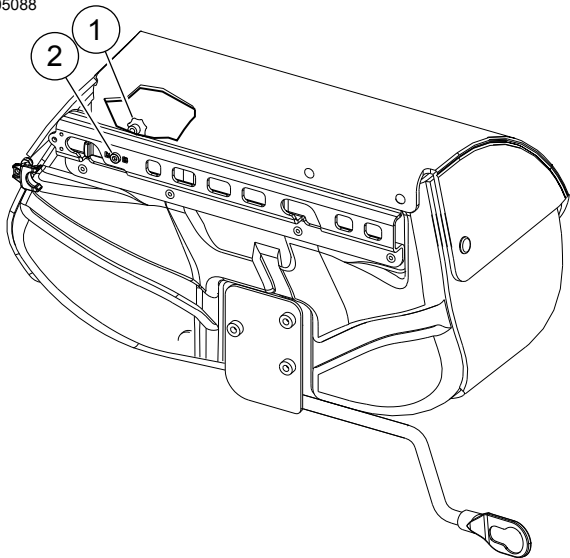
1. Lower support arm
2. Screw
3. Lockwasher
4. Flat washer

Figure 6. Lower Support Arm Install

Saddlebag Installation

1. Open the saddlebag.
2. See Figure 7. From the inside of the saddlebag pull and rotate the knob (1) and the latch pin (2) will release the bracket lock.

is05088



1. Knob
2. Latch pin

Figure 7. Saddlebag Knob and Latch

3. With the bag tipped forward and swing the large diameter of the keyhole end of the lower support arm over the lower docking point. Swing the body of the bag down so that the outer docking points on the strut cover slide into the slots of the bracket on the back of the bag.
4. Slide the bag forward on the motorcycle making sure that it is fully seated into all three docking points.
5. With the bag as far forward as possible, rotate the knob 1/4 turn. If the bag is seated properly, the knob should pop back in. Look behind the bag and make sure that the latch is in the closed position.
6. Rotate the support bracket so that the lower docking point is fully seated into the smaller diameter of the lower support bracket. Tighten the bracket mounting bolt:
Torque: 102–115 N·m (75–85 ft-lbs)
7. If adjusting the support bracket in Step 6 causes the bag or lower support arm to be lifted or pushed down, loosen the three screws holding the lower support arm to the saddlebag and adjust the arm forward or back as needed.
8. Tighten the three support arm screws:
Torque: 7–10 N·m (60–90 in-lbs) *saddlebag support arms*
9. Repeat for the other side.

Reflector Installation

▲ WARNING

Federal Motor Vehicle Safety Standard (FMVSS) 108 requires motorcycles to be equipped with rear and side reflectors. Be sure rear and side reflectors are properly mounted. Poor visibility of rider to other motorists can result in death or serious injury. (00336b)

1. See Figure 8 and Table 1. Position reflector mount (30) in center of saddlebag between straps.
2. Mark holes on saddlebag with pen (or other appropriate tool).
3. Using soapy water or isopropyl alcohol, clean the surface of the reflector mount (30) where reflector (29) will be installed.
4. Allow the surface to dry completely before continuing.
5. Remove adhesive from back of reflector and install on reflector mount. Apply pressure to reflector for at least one minute.
6. Using appropriate tool, make two 3/16 inch holes in saddlebag at locations marked in Step 2.
7. Install reflector mount (30) on saddlebag using two pushnuts (31). The pushnuts are installed from inside the saddlebag.
8. Let the adhesive cure for at least 24 hours at no less than 16 °C (60° F).
9. Repeat for the other saddlebag.

SERVICE PARTS

is05072a

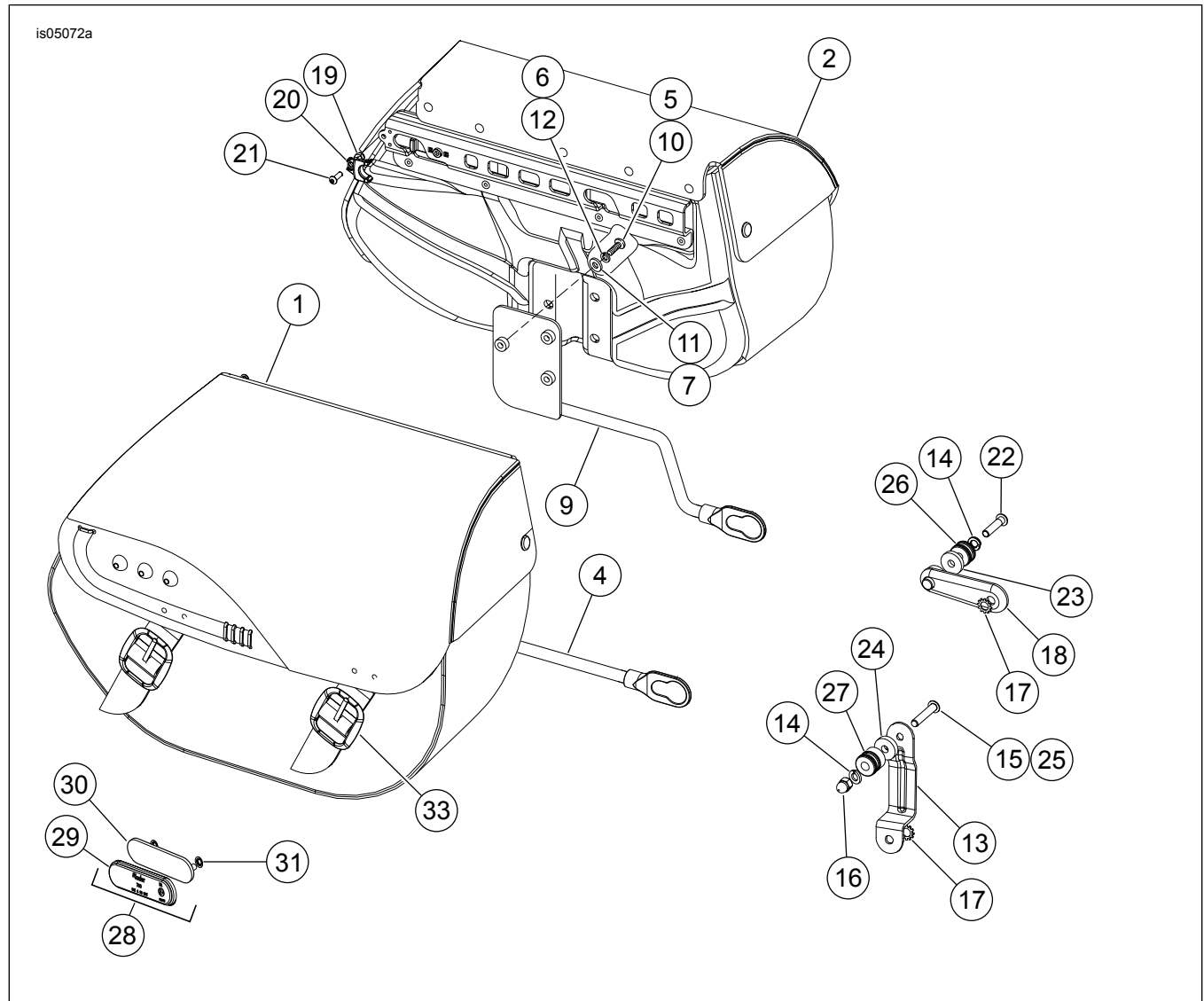


Figure 8. Service Parts: Detachable Saddlebags

Table 1. Service Parts

Item	Description (Quantity)	Part Number
1	Saddlebag, right (for kit 88306-07)	88307-07
	Saddlebag, right (for kit 90200616)	90200617
2	Saddlebag, left (for kit 88306-07)	88308-07
	Saddlebag, left (for kit 90200616)	90200618
3	Kit, support arm, lower right (includes items 4-7)	88329-07
4	• Support arm, lower right	Not Sold Separately
5	• Screw, hex socket button head (3)	4359
6	• Washer, plain, type A (3)	6333
7	• Lockwasher, spring (3)	7041
8	Kit, support arm, lower left (includes items 9-12)	88330-07
9	• Support arm, lower left	Not Sold Separately

Table 1. Service Parts

Item	Description (Quantity)	Part Number
10	• Screw, hex socket button head (3)	4359
11	• Washer, plain, type A (3)	6333
12	• Lockwasher, spring (3)	7041
13	Support bracket, right	90200708
14	Lockwasher, spring (2)	6792
15	Screw, TORX socket, button head 5/16-18 x 1-1/2 inch (2008 only)	4784
16	Nut, acorn	94006-90T
17	Washer, external tooth (2)	7145W
18	Support bracket, left	88300-07
19	Nut, nylock #10 (2)	7624
20	Adapter, rear docking (2)	88251-07
21	Screw, #10 x 0.62, (2)	4620
22	Screw, TORX socket, button head. 5/16-18 x 1-3/8 inch	4187
23	Spacer, 0.192 inch, left side (2007 only)	6571

Table 1. Service Parts

Item	Description (Quantity)	Part Number
24	Spacer, 0.241 inch, right side (2007 only)	6468
25	Screw, hex button head, 5/16-18 x 1-5/8 inch (2007 only)	4120
26	Docking point, thin	88229-07
27	Docking point, thick	53683-96
28	Kit, reflector (2), (includes items 29-31)	59480-04A
29	• Reflector, red	59270-10
30	• Mount, reflector	Not Sold Separately
31	• Pushnut (2)	8126A
32	Kit, leather care (not shown)	Not Sold Separately
33	Chrome buckle with male clip	88295-07
34	Kit, Latch Spring (includes items 35-43)	88257-07B
35	• O-ring, square (2)	11900007
36	• Pin (2)	Not Sold Separately
37	• Knob, Latch (2)	Not Sold Separately
38	• Spacer, tube (2)	Not Sold Separately
39	• Spring, Compression (2)	Not Sold Separately
40	• Latch (2)	Not Sold Separately
41	• Set-screw, #10-24 x 1/4 in.	10200139
42	• Label, lock/unlock, left	Not Sold Separately
43	• Label, lock/unlock, right	Not Sold Separately