



INSTRUCTIONS

J04645

2010-02-23



FLSTN SADDLEBAG GUARD KIT

GENERAL

Kit Number

49360-08

Models

For model fitment information, see the P&A Retail Catalog or the Parts and Accessories section of www.harley-davidson.com (English only).

Additional Parts Required

⚠ WARNING

Rider and passenger safety depend upon the correct installation of this kit. Use the appropriate service manual procedures. If the procedure is not within your capabilities or you do not have the correct tools, have a Harley-Davidson dealer perform the installation. Improper installation of this kit could result in death or serious injury. (00333b)

NOTE

This instruction sheet references Service Manual information. A Service Manual for your model motorcycle is required for this installation and is available from a Harley-Davidson Dealer.

Kit Contents

See Figure 7 and Table 1.

REMOVAL

All Models

1. If equipped with saddlebags, removal may ease installation. Follow the instructions in the appropriate Service Manual or Instruction Sheet.
2. See Figure 1. Remove and discard the forwardmost fender support bolt (1). Repeat for the other side.
3. See Figure 2. On the left side, remove the footrest support mounting bolt (1) and footrest support bracket assembly (2). Discard the mounting bolt.

2005 - 2006 Models

1. Loosen the exhaust shields as necessary following the instructions in the appropriate Service Manual. Move as necessary for access.
2. Loosen the exhaust header nuts following the instructions in the appropriate Service Manual.
3. See Figure 3. Remove bolt (1) connecting the exhaust system (2) to the support bracket (3).
4. See Figure 4. Remove the two rear muffler bracket bolts (1).

5. See Figure 5. Move mufflers enough to access the rear bolt attaching the exhaust mounting bracket to the frame. Remove bolt (1) and discard.

2007 - Later Models

NOTE

On 2007 - later models, the frame tab (4) has a plug instead of a bolt (see Figure 6, item 1).

1. Remove plug and discard.

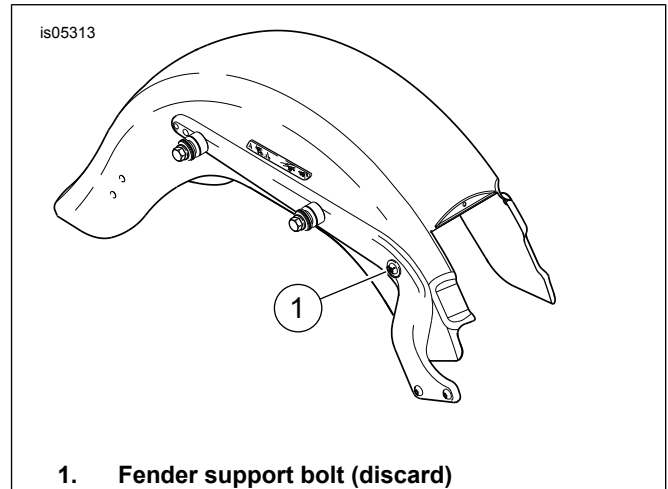


Figure 1. Remove Docking Hardware

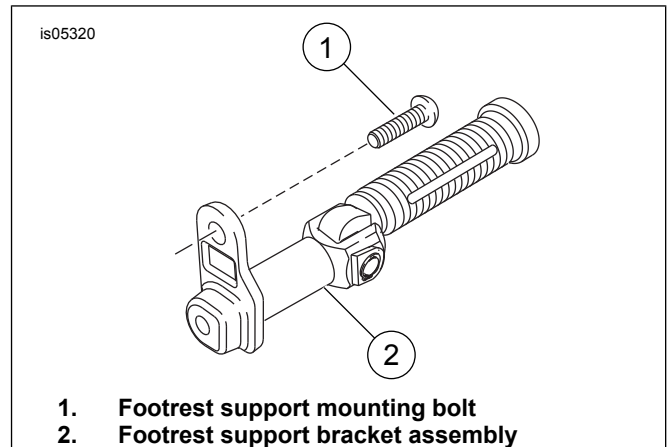
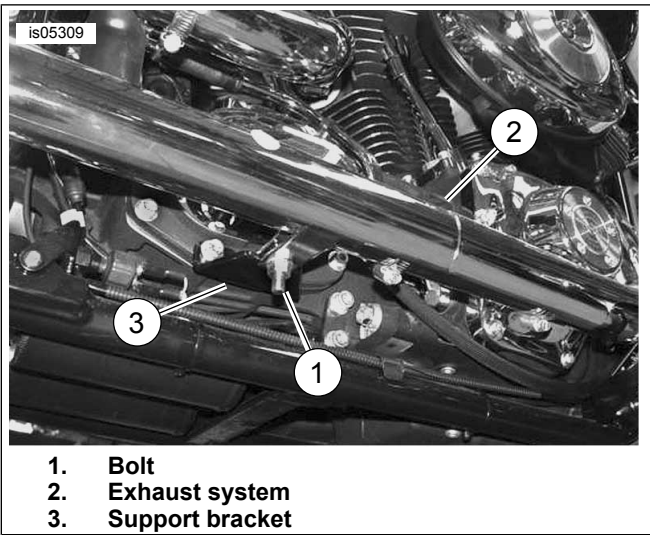
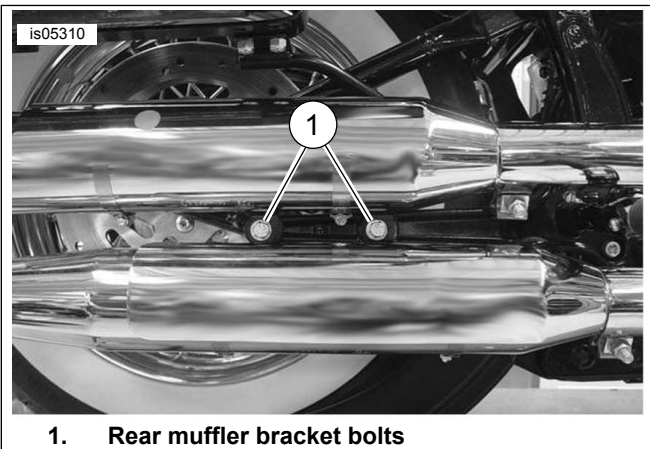


Figure 2. Footrest Support Bracket Assembly



1. Bolt
2. Exhaust system
3. Support bracket

Figure 3. Exhaust System Support Bracket (2005 Models Shown)



1. Rear muffler bracket bolts

Figure 4. Rear Muffler Bracket Bolts (2005 Shown)

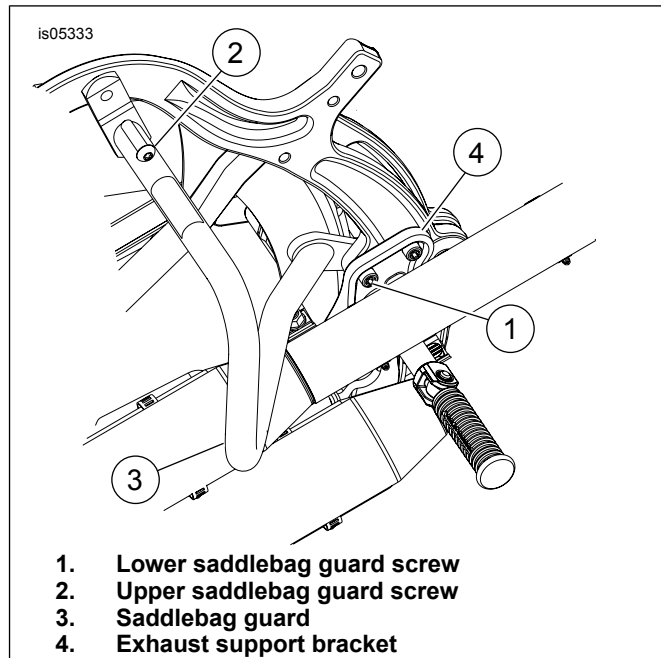
INSTALLATION

Right Side

See Figure 5 or Figure 6.

1. See Figure 7. Install upper screw (7) in the fender support. Tighten screw finger-tight.
2. Install the lower screw (4 or 5) with the saddlebag guard, washer (9) and locknut (6) inside the frame. Tighten screw finger-tight.
3. Tighten the upper screw to 41 N·m (30 ft-lbs).
4. Tighten the lower screw to 54 N·m (40 ft-lbs). Tighten nut to 41 N·m (30 ft-lbs).
5. **2005 - 2006 Models:**
 - a. Loosely install the exhaust header bolts.
 - b. See Figure 4. Loosely install two rear muffler bracket bolts (1).

- c. See Figure 3. Loosely install bolt securing exhaust system (2) to support bracket (3).
 - d. Tighten exhaust header bolts following the instructions in the appropriate Service Manual.
 - e. Tighten support bracket bolt and rear muffler bracket bolts following the instructions in the appropriate Service Manual.
 - f. Tighten exhaust shields following the instructions in the appropriate Service Manual.
6. Install saddlebag (if removed) following the instructions in the appropriate Service Manual or Instruction Sheet.



1. Lower saddlebag guard screw
2. Upper saddlebag guard screw
3. Saddlebag guard
4. Exhaust support bracket

Figure 5. Install Saddlebag Guard - Right Side Shown (2005 Models)

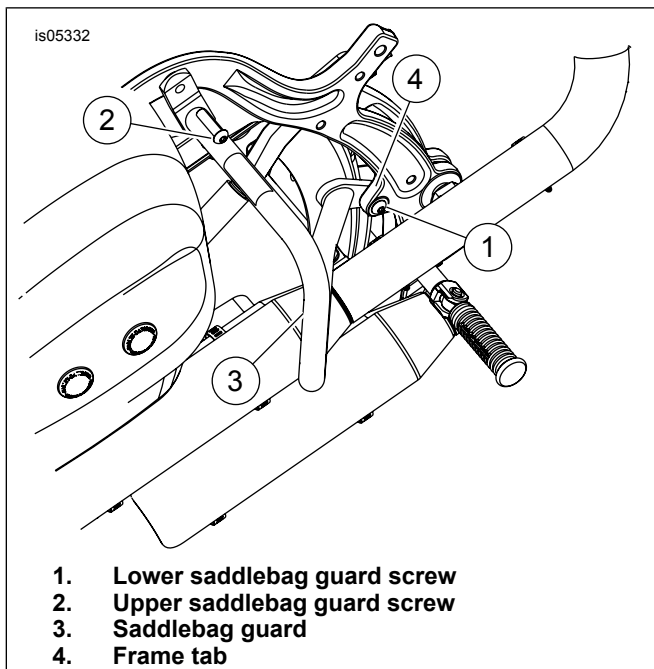


Figure 6. Install Saddlebag Guard - Right Side Shown (2007-Later Models)

Left Side

1. Loosely install upper screw (7) through the saddlebag guard and the fender support.

NOTE

Spacer (8) must be installed with the chamfer facing out.

2. See Figure 7. **For 2005-2006 Models:** Install lower screw (3) through the saddlebag guard, saddlebag guard spacer (8), footpeg support and the frame. Tighten to 41 N·m (30 ft-lbs). **For 2007 and later Models:** Install lower screw (10) through the saddlebag guard, footpeg support and the frame. Tighten to 41 N·m (30 ft-lbs).
3. Tighten upper screw to 41 N·m (30 ft-lbs).

NOTE

If installing Saddlebag Kit (part number 53015-05B) the lower left saddlebag support may be attached by installing it over the guard's lower screw and tightening the flange nut (supplied in the kit) per the instructions in the Saddlebag Kit Instruction Sheet.

4. Install saddlebag (if removed) following the instructions in the appropriate Service Manual or Instruction Sheet.

SERVICE PARTS

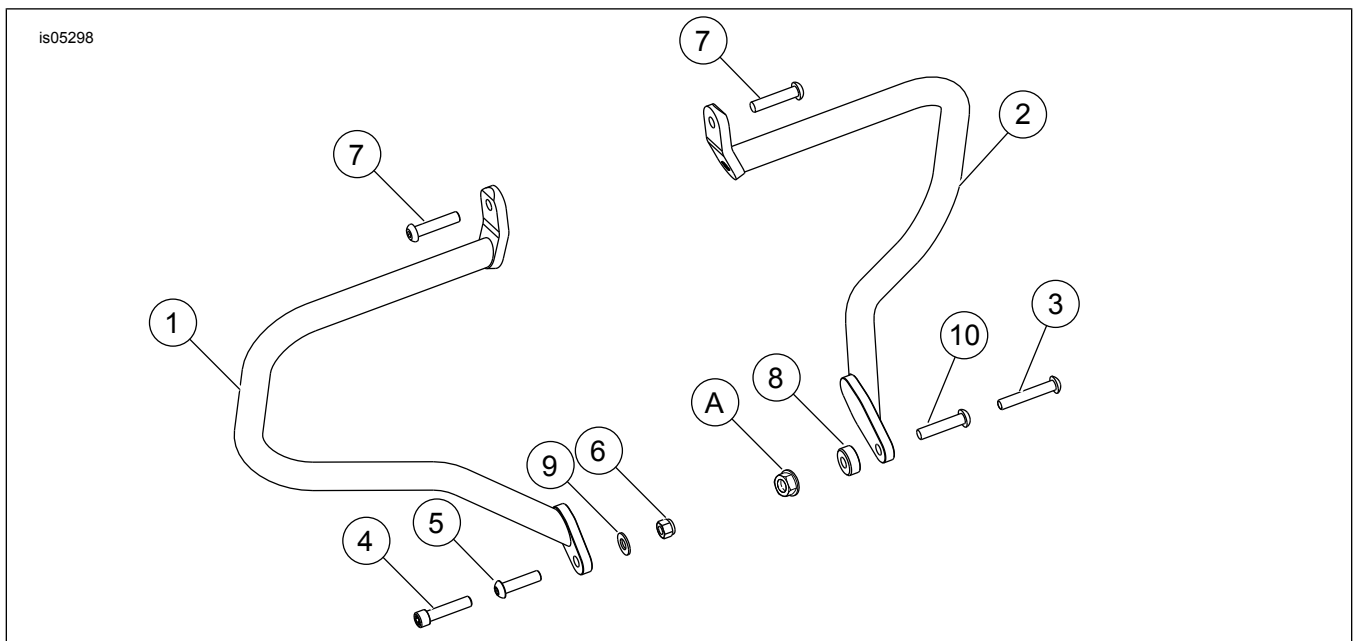


Figure 7. Service Parts: Saddlebag Guard Kit

Table 1. Service Parts: FLSTN Saddlebag Guard Bar

Item	Description (Quantity)	Part Number
1	Saddlebag guard, right	49361-08
2	Saddlebag guard, left	49362-08
3	Screw, button head (2005-2006 models only)	4154
4	Screw, TORX 3/8-16 x 1.75 in. (2005-2006 models only)	4896
5	Screw, button head TORX, 0.375-16 x 1.5 in. (2007 and later models only)	9460
6	Locknut, nylon insert	7778
7	Screw, button head TORX, 0.375-16 x 1.5 in. (2)	9460
8	Spacer (for 2005-2006 models only)	11859
9	Washer, 3/8 in.	94067-90T
10	Screw, button head TORX (2007 and later models only)	4203

Table 1. Service Parts: FLSTN Saddlebag Guard Bar

Item	Description (Quantity)	Part Number
Items mentioned in text, but not included in kit:		
A	Flange nut (from Saddlebag Kit part number 53015-05B)	