



# INSTRUCTIONS

J04535

2007-10-08



## FLSTSB PASSENGER PILLION

### GENERAL

#### Kit Number

51787-08

#### Models

For model fitment information, please see the P&A Retail Catalog or the Parts and Accessories section of [www.harley-davidson.com](http://www.harley-davidson.com) (English only).

#### Additional Parts Required

This kits requires the separate purchase of Passenger Footpeg Mounting Kit (50932-08) and passenger footpegs (purchased separately) if installed on a vehicle originally equipped with a solo seat.

#### ⚠ WARNING

**Do not install these seat kits on motorcycles that are not equipped with an appropriate grab strap and passenger footpegs. If footpegs and grab strap are not installed, passenger could fall from moving motorcycle or grab onto operator, causing loss of control and death or serious injury. (00410b)**

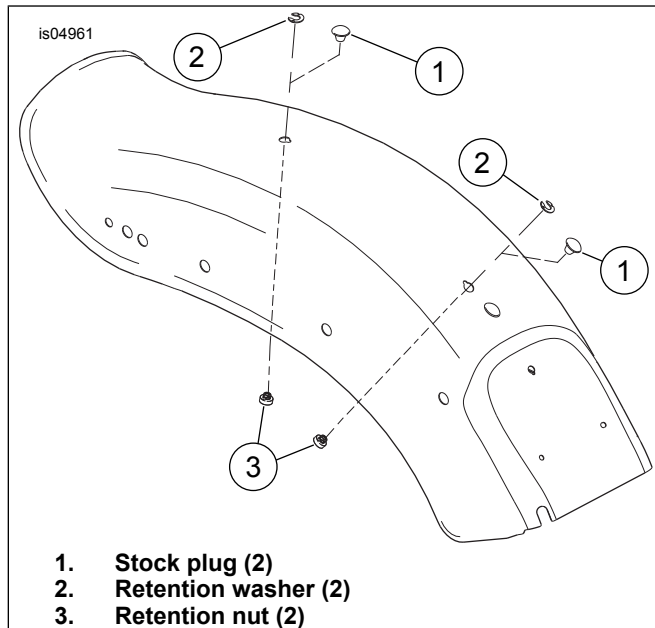


Figure 1. Remove Plugs and Install Retention Nut

#### ⚠ WARNING

Rider and passenger safety depend upon the correct installation of this kit. Use the appropriate service manual procedures. If the procedure is not within your capabilities or you do not have the correct tools, have a Harley-Davidson dealer perform the installation. Improper installation of this kit could result in death or serious injury. (00333b)

#### NOTE

*This instruction sheet references Service Manual information. A Service Manual for your model motorcycle is required for this installation and is available from a Harley-Davidson Dealer.*

#### Kit Contents

See Figure 5 and Table 1.

#### INSTALLATION

#### NOTE

*When performing the following installation procedures, avoid scratching painted surfaces (fender, tank, etc.) with tools or metal seat tabs.*

1. Remove stock fastener at the rear of the solo sprung seat fairing.
2. See Figure 1. Remove two stock plugs (1) from the top of the rear fender.
3. See Figure 2. Install retainer nuts in each of the two holes in the top of the rear fender as follows:
  - a. A cable strap may be used as an installation aid to remove and reinstall the retention nut and washer. Place the retention nut (1) over the cable strap (2) so the wide end of the nut rests on the eye of the cable strap. Thread the cable strap up under the fender and through the rearmost fender hole. Pull up on the cable strap to hold the nut snug against the underside of the fender.
  - b. With the rib on the retention nut seated into the notch in the fender hole, slide the retention washer (3) into place from the rear. This will lock the retention nut in place. Remove the cable strap.

#### NOTE

*See Figure 3. When installing the grabstrap (1), ensure that the capscrew goes through the grabstrap holes (2) as shown.*

4. See Figure 5. Install new grabstrap (2) with washer (4) and cap screw (3) into the forward retention nut. Tighten the cap screw to 11–18 N·m (8–13 ft-lbs).

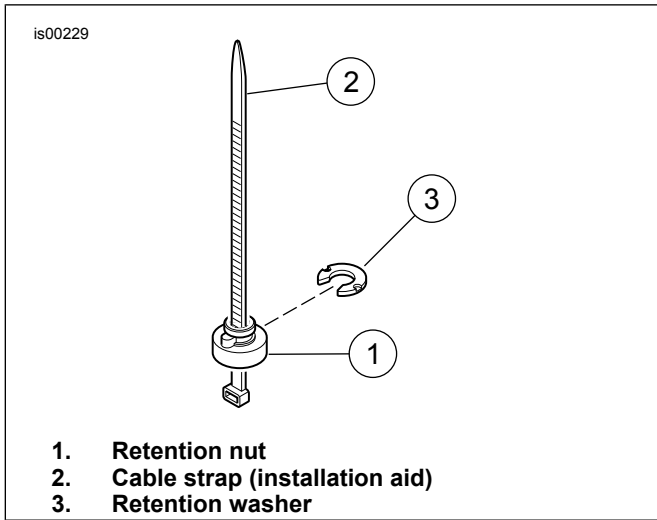


Figure 2. Install Retention Nut

- Slide pillion through passenger strap then slide forward into position until front bracket is aligned with the slot in the seat fairing.
- See Figure 4. Install cap screw (3) from the kit in the location shown to secure the front of the pillion.
- Install screw (4) from the kit into the rear retention nut as shown to secure the rear of the pillion.

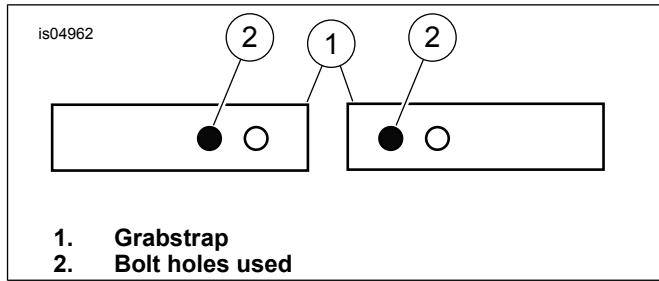


Figure 3. Grabstrap Configuration

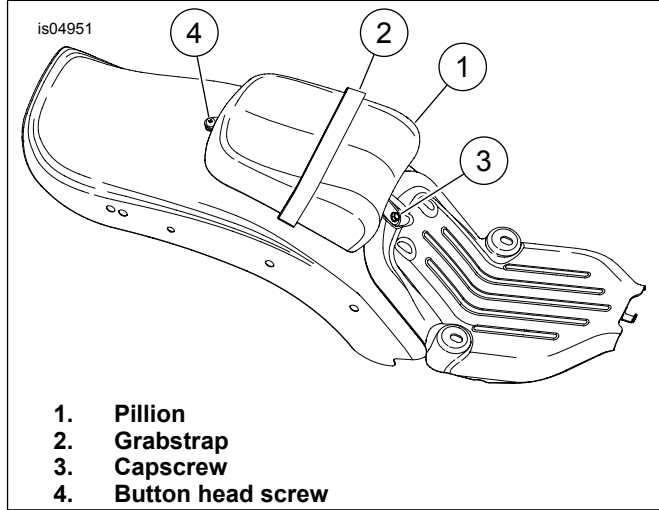


Figure 4. Install Passenger Pillion

**▲ WARNING**

After installing seat, pull upward on seat to be sure it is locked in position. While riding, a loose seat can shift causing loss of control, which could result in death or serious injury. (00070b)

**SERVICE PARTS**

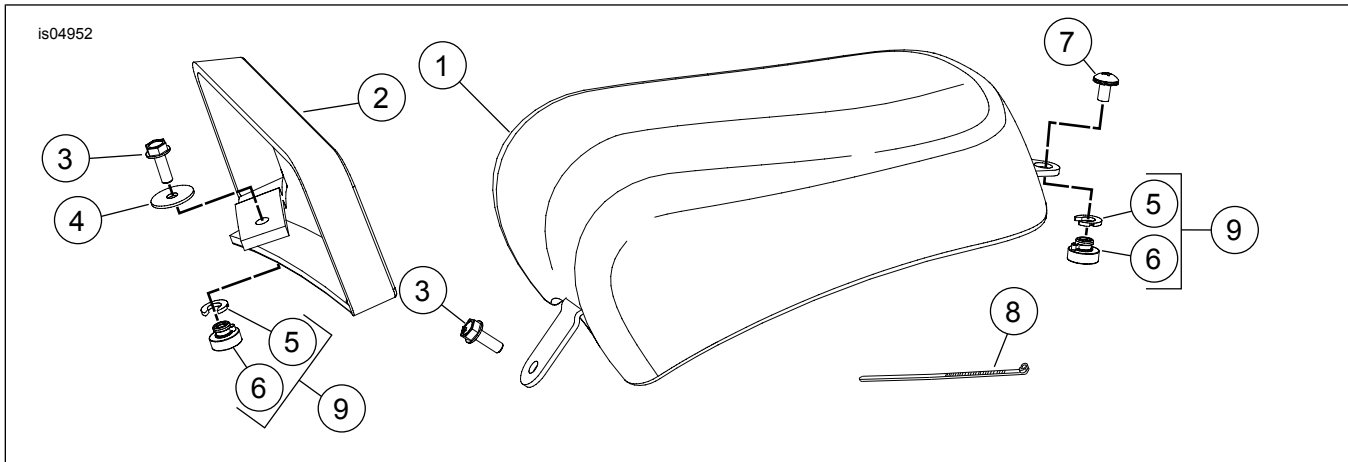


Figure 5. Service Parts for FLSTSB Passenger Pillion Seat

Table 1. Service Parts Table

Item	Description (Quantity)	Part Number
1	Pillion, passenger	Not Sold Separately
2	Grabstrap	51195-08
3	Cap screw (2)	3574
4	Washer, plain	6036
5	Washer, retention (2)	Not Sold Separately
6	Nut, retention (2)	Not Sold Separately

**Table 1. Service Parts Table**

<b>Item</b>	<b>Description (Quantity)</b>	<b>Part Number</b>
7	Screw	2952A
8	Cable strap	10039
9	Kit, fender seat nut	59768-97