



INSTRUCTIONS

J04050

2011-11-15



REAR SLOTTED SIX-SPOKE WHEELS

GENERAL

⚠ WARNING

Install only wheels and installation kits approved for your model motorcycle. Contact a Harley-Davidson dealer to verify fitment. Mismatching wheels and installation kits or installing wheels not approved for your model can cause loss of control, which could result in death or serious injury. (00610c)

Kit Numbers

40825-08, 40827-08, 43928-08, 43929-08, 43930-08, 43931-08, 43934-07, 43942-07, and 43972-08

Models

For model fitment information, see the P&A Retail Catalog or the Parts and Accessories section of www.harley-davidson.com (English only).

Kit Contents

See Figure 1 and Service Parts Tables.

Additional Parts Required

These kits include the custom wheel only.

Proper installation of these kits require the separate purchase of the following parts which are available at a Harley-Davidson dealer.

- Wheel Installation Kit (See Table 3 through Table 9 to determine required installation kit.)
- Brake Disc Screws (See Table 1 to determine proper hardware.)
- Rear Sprocket Screws (See Table 1 to determine proper hardware.)
- Wheel Bearing Remover and Installer (94134-09A)

Recommended Parts

The following Harley-Davidson Genuine Motor Accessories are recommended for proper maintenance and cleaning:

- Harley® Bright™ Chrome Cleaner (94683-99)
- Harley® Glaze™ Polish and Sealant (99701-84)
- Harley® Wheel and Spoke Brush (43078-99)
- Harley-Davidson® Wheel and Tire Cleaner (94658-98)
- Harley® Preserve Bare Aluminum Protectant (99845-07)

⚠ WARNING

Rider and passenger safety depend upon the correct installation of this kit. Use the appropriate service manual procedures. If the procedure is not within your capabilities or you do not have the correct tools, have a Harley-Davidson dealer perform the installation. Improper installation of this kit could result in death or serious injury. (00333b)

NOTE

This instruction sheet references service manual information. A service manual for your model motorcycle is required for this installation and is available from a Harley-Davidson dealer.

Table 1. Rear Disc and Sprocket Hardware Fitment

Hardware	Fitment
Rear Disc Screws (select stock or chrome hardware)	
5 Stock disc screws (43567-92)	All models
Chrome screw kit (46647-05) includes 5 screws	All models
Rear Sprocket Screws (select stock or chrome hardware)	
5 Sprocket screw, stock (3109)	2007 and later Dyna and Softail, 2007 Touring
Chrome screw kit (94773-07) includes 5 screws and washers	2007 and later Dyna and Softail
5 Sprocket screw, stock (3737A)	2000-2005 Dyna, 2000-2006 Softail, 2004-2006 Touring
Chrome screw kit (94773-00A) includes 5 screws and washers	2000-2005 Dyna, 2000-2006 Softail
5 Sprocket screw, stock (3814)	2008 Touring
5 Sprocket screw, stock (3873)	2006 Dyna
5 Sprocket screw, stock (3899)	2000-2003 Touring, 2001 and later Sportster (except Japanese models)
5 Sprocket screw, stock (40439-01)	2002-2006 VRSC and 2007 VRSCR models
5 Sprocket screw, stock (4552)	2007 and later VRSC models (except VRSCR and VRSCSE models)
Rear Sprocket Washers	
5 Sprocket washer, stock (6516HW)	2006 and earlier Dyna, Softail and Touring and 2000 and later Sportster models (except Japanese models)
5 Sprocket washer, stock (7039)	2002 and later VRSC

INSTALLATION

1. Remove existing rear wheel assembly. Save axle, axle nut, brake disc, and wheel spacers for kit installation. Refer to REAR WHEEL in Service Manual.

NOTE

Prior to removing or installing the wheel, the rear brake caliper must be removed.



The cotter pin or spring clip for the axle nut must be replaced. They are available for purchase from your dealer. See your dealer for the correct part number for your model motorcycle.

NOTE

Install long valve stem (43206-01) included in the installation kit. Discard all other valve stems.

- See Figure 1. Install valve stem assembly (I) on wheel. Refer to TIRES in service manual.

NOTE

For Kits 43928-08 and 43929-08: When installing wheel on 2008 and later XL models, install bearing shim from installation kit under the primary bearing.

For Kits 43934-07, 43942-07 and 43972-07: When installing wheel on 2008 and later Dyna models, install bearing shim from installation kit under the primary bearing.

NOTICE

Do not re-use brake disc/rotor screws. Re-using these screws can result in torque loss and damage to brake components. (00319c)

NOTICE

Do not re-use sprocket mounting screws. Re-using sprocket mounting screws can result in torque loss and damage to the sprocket and/or belt assembly. (00480b)

SERVICE PARTS

- Assemble wheel installation kit components, stock brake disc, and sprocket to wheel using the appropriate service parts table. Refer to REAR WHEEL in Service Manual.

NOTE

The valve stem side of the wheel and machined grooves in the hub face indicate the primary bearing side. Install the primary bearing first using appropriate service manual and WHEEL BEARING REMOVER/INSTALLER.

- Install rear wheel (1), stock axle, and stock spacers to motorcycle. Refer to REAR WHEEL in service manual.

MAINTENANCE AND CLEANING

Chrome parts must be maintained regularly to keep their original shine and luster.

- Clean heavily-soiled wheel surfaces using Harley-Davidson Wheel and Tire Cleaner, applied with Harley Wheel and Spoke Brush.
- Thoroughly clean chrome with a good quality chrome cleaner, such as Harley Bright Chrome Cleaner.
- After cleaning and polishing, seal the finish with a good quality sealer, such as Harley Glaze Polish and Sealant.

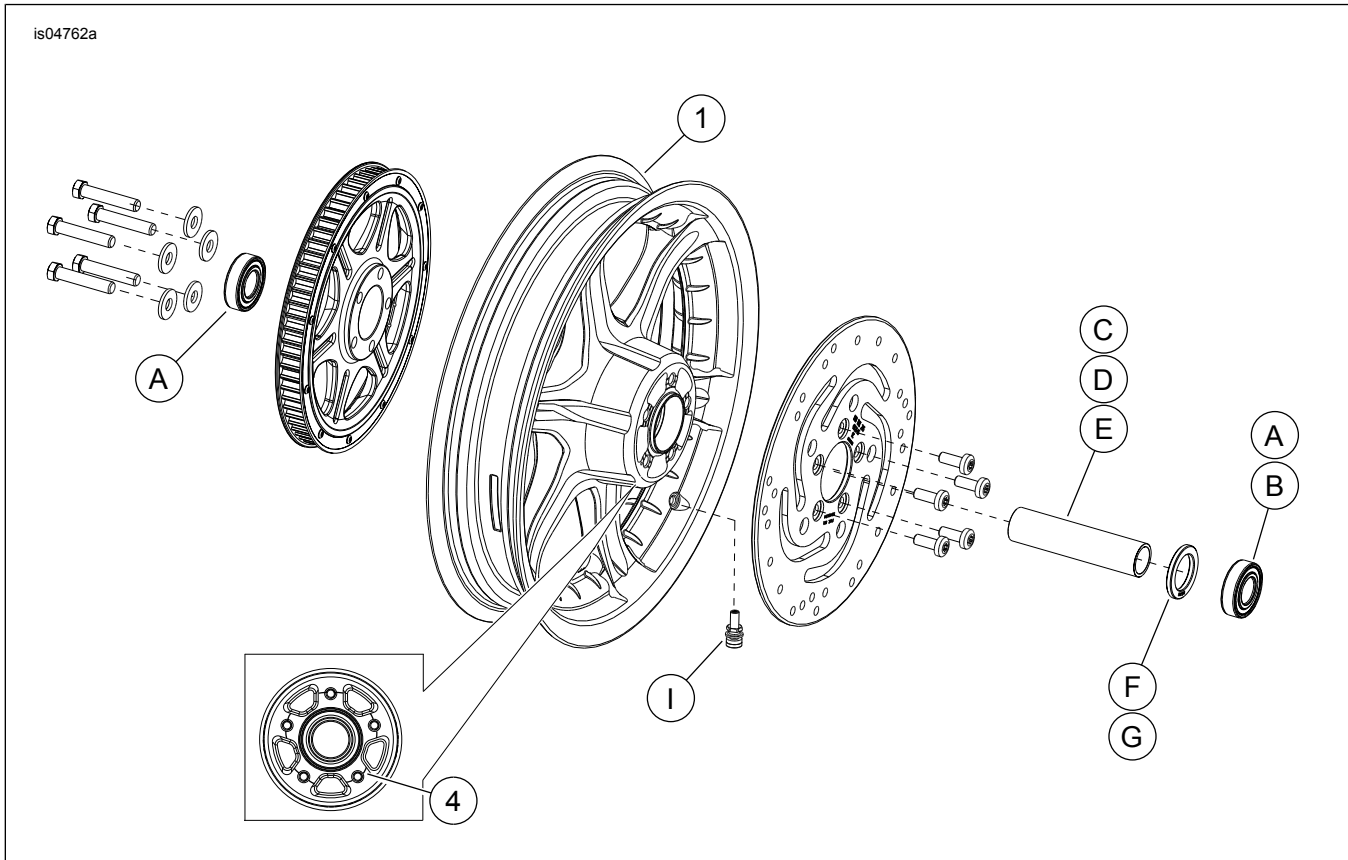


Figure 1. Service Parts: Rear Slotted Six-Spoke Wheels (16-inch Shown)

Table 2. Service Parts and Wheel Kit Contents

Kit	Item	Description (Quantity)	Part Number
43930-08, 43931-08, 43928-08, 43929-08, 40825-08, 40827-08, 43934-07, 43942-07, 43972-08	1	Wheel	Not Sold Separately
Visual indicator mentioned in text:			
	4	Machined groove (all wheels)	

Table 3. REAR 3/4 Inch Bearing Wheel Installation Kit (43854-08A)

REAR 3/4 Inch Bearing Wheel Installation Kit (43854-08A)		Item (Quantity Used and Description)					
Fitment	Wheel Size	A	C	D	E	H	I
2007 FLST, FLSTN and FLSTC	16 x 3.0 in	2	1	0	0	*	*
2003-2006 FLST, FLSTN and FLSTC; 2003-2006 FLSTF (except FLSTFSE2); 2003-2005 FXST, FXSTB and FXSTS	16 x 3.0 in	2	1	0	0	*	*
2000-2005 Dyna; 2000-2002 Softail (except FXSTD)	16 x 3.0 in	2	1	0	0	*	*
2000-2004 XL; 2000-2001 FLT	16 x 3.0 in	2	1	0	0	*	*
2000-2007 FXSTD	17 x 4.5 in	2	1	0	0	*	*
2006 FXST, FXSTB, FXSTS and FLSTFSEi	17 x 6.0 in	2	0	1	0	*	*
2007 FLSTF, FXST, FXSTB and FXSTC	17 x 6.0 in	2	0	0	1	*	*
Installation kits are designed to work with many different wheel styles and fitments. Contact a Harley-Davidson dealer to verify that the wheel and installation kits are both designed and approved for the motorcycle they are being installed on. NOTES: * See NOTE above valve installation step in INSTALLATION to determine which valve stem to use for your particular kit. Discard other valve stem(s).		A	Bearing, regular (2)		9267		
		C	Axle sleeve		43608-00		
		D	Axle sleeve		43618-06		
		E	Axle sleeve		43618-07		
		H	Valve stem, short		43157-83A		
		I	Valve stem, long		43206-01		

Table 4. REAR 1 Inch Bearing Wheel Installation Kit (43861-08A)

REAR 1 Inch Bearing Wheel Installation Kit (43861-08A)		Item (Quantity Used and Description)				
Fitment	Wheel Size	A	C	D	H	I
2002-2007 FLT; 2005-2007 XL	16 x 3.0 in	2	1	0	*	*
2006-2007 Dyna	17 x 4.5 in	2	1	0	*	*
2002-2006 VRSC; 2007 VRSCD and VRSCR	18 x 5.5 in	2	0	1	*	*
2006 VRSCSEi; 2007 VRSCAW, VRSCX and VRSCDX	18 x 8.0 in	2	0	1	*	*
Installation kits are designed to work with many different wheel styles and fitments. Contact a Harley-Davidson dealer to verify that the wheel and installation kits are both designed and approved for the motorcycle they are being installed on. NOTES: * See NOTE above valve installation step in INSTALLATION to determine which valve stem to use for your particular kit. Discard other valve stem(s).		A	Bearing, regular		9247	
		C	Axle sleeve		43517-00	
		D	Axle sleeve		43704-01	
		H	Valve stem, short		43157-83A	
		I	Valve stem, long		43206-01	

Table 5. REAR 25 MM Bearing Wheel Installation Kit (41451-08B)

REAR 25 MM Bearing Wheel Installation Kit (41451-08B)		Item (Quantity Used and Description)					
Fitment	Wheel Size	A	C	F	H	I	J
2008 and later FXDF	16 x 5.0 in	2	1	0	*	*	*
2008 and later Dyna (except FXDF) and 2012 and later FLD	17 x 4.5 in	2	1	**	*	*	*
2008 and later FXDF	18 x 6.0 in	2	1	0	*	*	*
Installation kits are designed to work with many different wheel styles and fitments. Contact a Harley-Davidson dealer to verify that the wheel and installation kits are both designed and approved for the motorcycle they are being installed on. NOTES: * See NOTE above valve installation step in INSTALLATION to determine which valve stem to use for your particular kit. Discard other valve stem(s). ** See NOTES for your wheel kit above the wheel assembly step in INSTALLATION to determine which bearing shim to use for your particular wheel kit and fitment. *** Bearing shim installed under the primary bearing.		A	Bearing, regular (2)		9276		
		C	Axle sleeve		43905-08		
		F	Bearing shim***		43904-08		
		H	Valve stem, short		43157-83A		
		I	Valve stem, long		43206-01		
		J	Valve stem, pull-thru		40999-87		

Table 6. REAR 25mm Bearing Wheel Installation Kit (43878-08B)

REAR 25 MM Bearing Wheel Installation Kit (43878-08B)		Item (Quantity Used and Description)							
Fitment	Wheel Size	A	C	D	F	H	I	J	
2008 and later FLSTN, FLSTC, FLS and FXS without ABS	16 x 3.0 in	2	1	0	0	*	*	0	
2008 FLT without ABS	16 x 3.0 in	2	0	1	1	*	*	0	

Table 6. REAR 25mm Bearing Wheel Installation Kit (43878-08B)

REAR 25 MM Bearing Wheel Installation Kit (43878-08B)		Item (Quantity Used and Description)							
Fitment	Wheel Size	A	C	D	F	H	I	J	
2008 and later XL (except 2011 and later XL883L)	16 x 3.0 in	2	0	1	**	*	*	*	
2008 and later FXSTB, FXSTC, FLSTF, FLSTSB and FLSTFB without ABS	17 x 6.0 in	2	1	0	0	*	*	0	
2008 and later FXSTB, FXSTC, FLSTF, FLSTSB and FLSTFB without ABS	18 x 6.0 in	2	1	0	0	*	*	0	
Installation kits are designed to work with many different wheel styles and fitments. Contact a Harley-Davidson dealer to verify that the wheel and installation kits are both designed and approved for the motorcycle they are being installed on. NOTES: * See NOTE above valve installation step in INSTALLATION to determine which valve stem to use for your particular kit. Discard other valve stem(s). ** See NOTES for your wheel kit above the wheel assembly step in INSTALLATION to determine which bearing shim to use for your particular wheel kit and fitment. *** Bearing shim installed under primary bearing.		A	Bearing, regular (2)		9276				
		C	Axle sleeve		41696-08				
		D	Axle sleeve		41900-08				
		F	Bearing shim***		43904-08				
		H	Valve stem, short		43157-83A				
		I	Valve stem, long		43206-01				
		J	Valve stem, pull thru		40999-87				

Table 7. REAR 25 MM Bearing ABS Wheel Installation Kit (41453-08C)

REAR 25 MM Bearing ABS Wheel Installation Kit (41453-08C)		Item (Quantity Used and Description)										
Fitment	Wheel Size	A	B	C	D	E	F	G	H	I	J	
2008 FLT with ABS	16 x 3.0 in	1	1	0	1	0	0	1	*	*	0	
2009 and later FLT with ABS	16 x 5.0 in	1	1	1	0	0	0	0	*	*	*	
2009 and later FLT with ABS	18 x 5.0 in	1	1	1	0	0	0	0	*	*	0	
2008 VRSCDa with ABS	18 x 5.5 in	1	1	0	0	1	**	0	*	*	0	
2008 and later VRSCAWa, VRSCDXa, VRSCXa and VRSCFa with ABS	18 x 8.0 in	1	1	0	0	1	**	0	*	*	0	
Installation kits are designed to work with many different wheel styles and fitments. Contact a Harley-Davidson dealer to verify that the wheel and installation kits are both designed and approved for the motorcycle they are being installed on. NOTES: * See NOTE above valve installation step in INSTALLATION to determine which valve stem to use for your particular kit. Discard other valve stem(s). ** Primary bearing. Bearing must be installed with red side facing the wheel. *** Bearing shim installed under primary bearing.		A	Bearing, regular								9276	
		B	Bearing, ABS**								9252	
		C	Axle sleeve								41349-07	
		D	Axle sleeve								41900-08	
		E	Axle sleeve								43704-08	
		F	Bearing shim***								41447-08	
		G	Bearing shim***								43904-08	
		H	Valve stem, short								43157-83A	
		I	Valve stem, long								43206-01	
		J	Valve stem, pull thru								40999-87	

Table 8. REAR 25 MM Bearing ABS Wheel Installation Kit (43077-11)

REAR 25 MM Bearing ABS Wheel Installation Kit (43077-11)		Item (Quantity Used and Description)						
Fitment	Wheel Size	A	B	C	D	H	I	
2011 and later FLSTN, FLSTC, FLS and FXS with ABS	16 x 3.0 in	1	1	0	1	*	*	
2011 and later FXST, FLSTF and FLSTFB with ABS	17 x 6.0 in	1	1	0	1	*	*	
2011 and later FXST, FLSTF and FLSTFB with ABS	18 x 6.0 in	1	1	0	1	*	*	
2011 and later FXCWC with ABS	18 x 8.0 in	1	1	1	0	*	*	
Installation kits are designed to work with many different wheel styles and fitments. Contact a Harley-Davidson dealer to verify that the wheel and installation kits are both designed and approved for the motorcycle they are being installed on. NOTES: * See NOTE above valve installation step in INSTALLATION to determine which valve stem to use for your particular kit. Discard other valve stem(s). ** Primary bearing. Bearing must be installed with red side facing the wheel.		A	Bearing, regular		9276			
		B	Bearing, ABS**		9252			
		C	Axle sleeve		41358-08			
		D	Axle sleeve		41696-08			
		H	Valve stem, short		43157-83A			
		I	Valve stem, long		43206-01			

Table 9. REAR 25 MM Bearing ABS Wheel Installation Kit (42400003)

REAR 25 MM Bearing ABS Wheel Installation Kit (42400003)		Item (Quantity Used and Description)							
Fitment	Wheel Size	A	B	C	F	H	I	J	
2008 and later FXDF	16 x 5.0 in	1	1	1	0	*	*	*	
2008 and later Dyna (except FXDF and FLD)	17 x 4.5 in	1	1	1	1	*	*	*	
2012 FLD	17 x 4.5 in	1	1	1	0	*	*	*	
2008 and later FXDF	18 x 6.0 in	1	1	1	0	*	*	*	

Table 9. REAR 25 MM Bearing ABS Wheel Installation Kit (42400003)

REAR 25 MM Bearing ABS Wheel Installation Kit (42400003)		Item (Quantity Used and Description)						
Fitment	Wheel Size	A	B	C	F	H	I	J
Installation kits are designed to work with many different wheel styles and fitments. Contact a Harley-Davidson dealer to verify that the wheel and installation kits are both designed and approved for the motorcycle they are being installed on. NOTES: * See <i>NOTE</i> above valve installation step in INSTALLATION to determine which valve stem to use for your particular kit. Discard other valve stem(s). ** Primary bearing. Bearing must be installed with red side facing the wheel.		A	Bearing, regular				9276	
		B	Bearing, ABS**				9252	
		C	Axle sleeve				43905-08	
		F	Bearing shim				43904-08	
		H	Valve stem, short				43157-83A	
		J	Valve stem, pull-thru				40999-87	