



INSTRUCTIONS

J04891

2009-01-30



SOFTAIL PASSENGER FOOTPEG SUPPORT KIT

GENERAL

Kit Number

50454-09

Models

For model fitment information, see the P&A Retail Catalog or the Parts and Accessories section of www.harley-davidson.com (English only).

Additional Parts Required

Mini-Footboard kit (P/N 50451-09)

Kit Contents

See Figure 1 and Table 1.

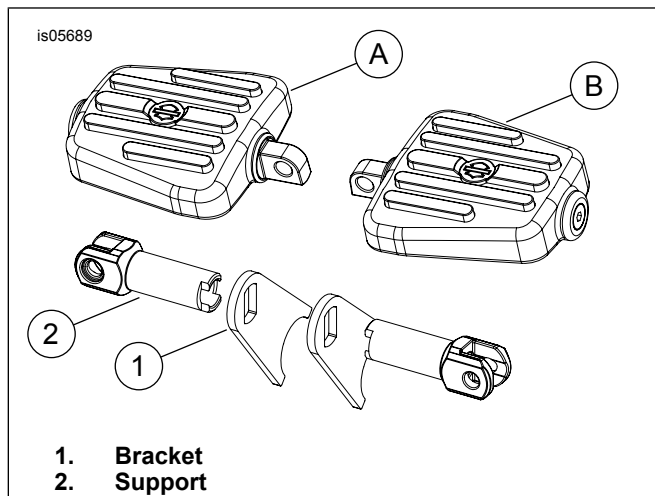


Figure 1. Kit Contents

Table 1. Kit Contents

Item	Description (Quantity)	Part Number
1	Passenger footpeg bracket (2)	Not Sold Separately
2	Passenger footpeg support (2)	Not Sold Separately
Items mentioned in text, but not included in kit.		
A	Mini footboard assembly, left	
B	Mini footboard assembly, right	

There are no service parts for this kit.

▲ WARNING

Footrests must fold up and toward rear of motorcycle if struck. Failure to set footrests to fold up and back could result in death or serious injury. (00366a)

INSTALLATION

Remove Existing Equipment

1. Remove existing footpeg and attaching hardware and save for later use.
2. Remove chrome swingarm pivot covers, if so equipped.
3. Do not remove tool box, if so equipped.

Install Passenger Footpeg Support Kit

NOTE

Make sure the orientation of the support allows the peg to fold up and back.

1. See Figure 2. Install footpeg brackets (1) and mounts (2) as follows:
 - a. Position footpeg bracket (1) and insert screw (3), removed previously, through support (2) and into footpeg mounting hole in frame.
 - b. Position semi-circular cutout in bracket extending from side of mount around nut of swingarm pivot bolt or nut.
 - c. Tighten screw (3) to 45-50 ft-lbs (61-67.8 Nm).
2. Refer to appropriate I-Sheet for instructions to install the footboards (A) and (B) and pivot pins for your motorcycle.

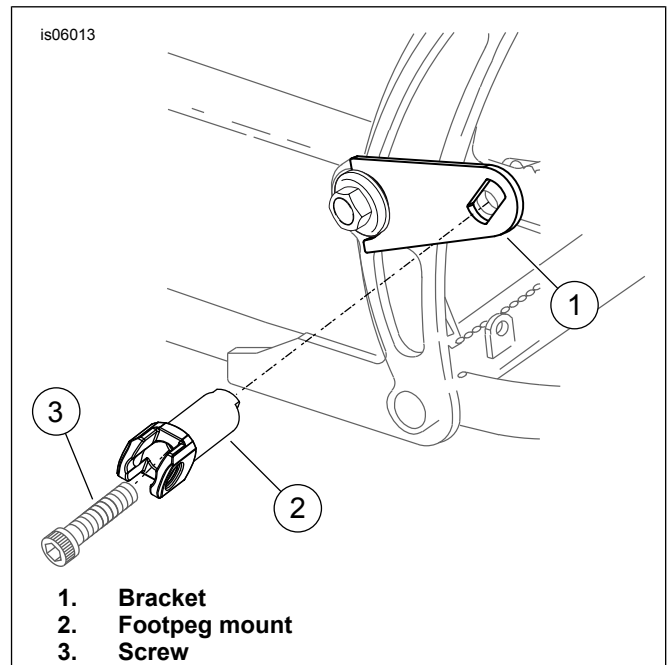


Figure 2. Install Brackets and Footpeg Mounts