



INSTRUCTIONS

J04735

2008-10-01



TRI-GLIDE EXHAUST TRIM KIT

GENERAL

Kit Number

83843-09

Models

For model fitment information, see the P&A Retail Catalog or the Parts and Accessories section of www.harley-davidson.com (English only).

Kit Contents

There are no service parts available with this kit.

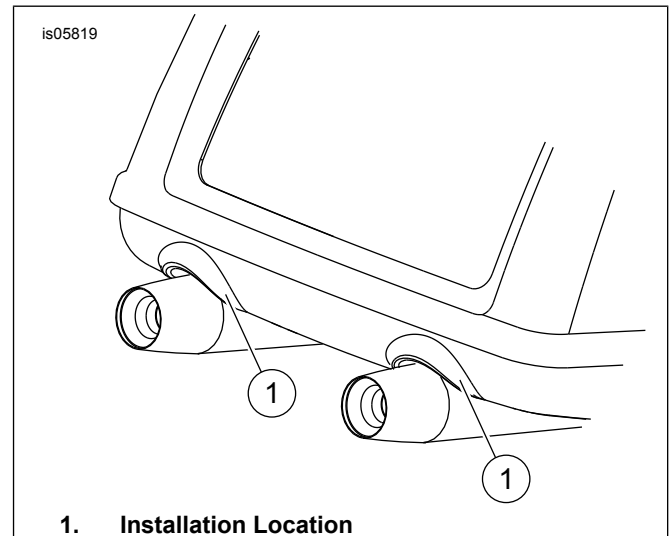
INSTALLATION

1. See Figure 1. Clean exhaust trim kit mounting area (1) thoroughly with a solution of equal parts water and isopropyl alcohol. Allow to dry thoroughly.

NOTE

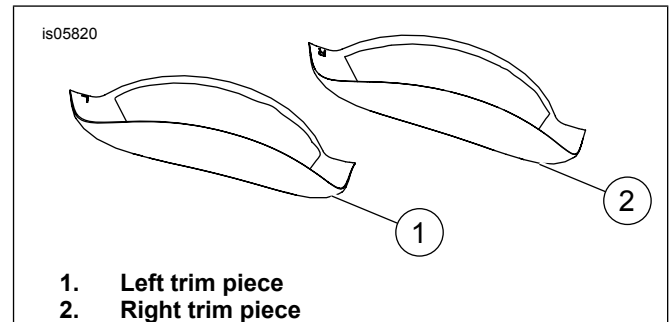
See Figure 2. The left (1) and right (2) trim pieces are embossed with "L" and "R".

2. Remove adhesive tape backing from the left trim piece.
3. Visually align the trim piece to the Tri-Glide body. Press the left trim piece into place and hold for approximately 30 seconds.
4. Repeat Steps 2 and 3 for the right side.
5. See Figure 3. If the muffler alignment needs adjusting, loosen the appropriate muffler clamp (1) and rotate the muffler toward the center of the motorcycle. Tighten the muffler clamp to 52–58 N·m (38–43 ft-lbs).



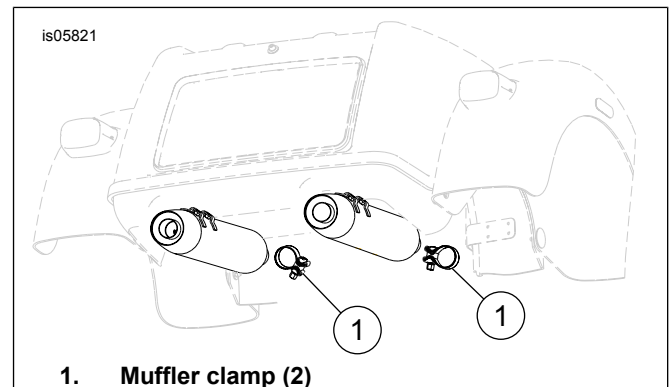
1. Installation Location

Figure 1. Install Trim Pieces



1. Left trim piece
2. Right trim piece

Figure 2. Exhaust Trim Pieces



1. Muffler clamp (2)

Figure 3. Adjust Muffler Clamp