



INSTRUCTIONS

J05169

2011-09-23



BOOM! AUDIO NAVIGATION INTERFACE MODULE KIT

GENERAL

Kit Number

76000024, 76000024A

Models

For model fitment information, see the P&A retail catalog or the Parts and Accessories section of www.harley-davidson.com (English only).

A Road Tech Zumo 665 GPS Kit (Part No. 76000014) is required. This item is available from a Harley-Davidson dealer.

This kit **can be used** with a Road Tech Zumo 660 GPS Kit (Part No. 92115-09) after a software update to **3.70 or later**.

- The software version can be found at the upper right corner of the Zumo screen by selecting **Tools>Settings>System>About**.
- Go to www.harley-davidson.com/zumo and click on "Road Tech zumo 660 GPS Navigator", and then the "Downloads" tab to obtain the latest version.
- Go to "zumo 660 software updates" and use the "Web Updater" link.

This kit is not compatible with the Advanced Audio Bluetooth® Hands-Free Cell Phone Interface (Part No. 76408-06).

Installation Requirements

FLHT models will require prior installation of an Advanced Audio AM/FM/CD Radio Kit (Part No. 76412-06) and an AM/FM Antenna Kit (Part No. 76325-06 or 76317-06).

FLHT/C, FLHX, FLTR/X and FLHXXX Models WITHOUT Non-Ultra Overlay Harness (Part No. 70169-06) installed will require separate purchase of a Connector Kit (Part No. 69200033).

These items are available from a Harley-Davidson dealer.

⚠ WARNING

Rider and passenger safety depend upon the correct installation of this kit. Use the appropriate service manual procedures. If the procedure is not within your capabilities or you do not have the correct tools, have a Harley-Davidson dealer perform the installation. Improper installation of this kit could result in death or serious injury. (00333b)

NOTE

This instruction sheet refers to service manual information. A service manual for this year/model motorcycle is required for this installation and is available from a Harley-Davidson dealer.

Electrical Overload

NOTICE

It is possible to overload the vehicle's charging system by adding too many electrical accessories. If the combined electrical accessories operating at any one time consume more electrical current than the vehicle's charging system can produce, the electrical consumption can discharge the battery and cause damage to the vehicle's electrical system. (00211d)

⚠ WARNING

When installing any electrical accessory, be certain not to exceed the maximum amperage rating of the fuse or circuit breaker protecting the affected circuit being modified. Exceeding the maximum amperage can lead to electrical failures, which could result in death or serious injury. (00310a)

The Navigation Interface Module (NIM) requires up to **30 milliamps** additional current from the electrical system.

Kit Contents

See Figure 5 and Table 1.

PREPARATION

NOTE

For vehicles equipped with security siren:

- **2007 and later:** Verify that the Hands-Free Fob is present.
- **2006 and earlier:** Disarm the siren with the key fob.
- **ALL vehicles:** Turn the ignition key switch to **IGNITION**.

⚠ WARNING

To prevent accidental vehicle start-up, which could cause death or serious injury, remove main fuse before proceeding. (00251b)

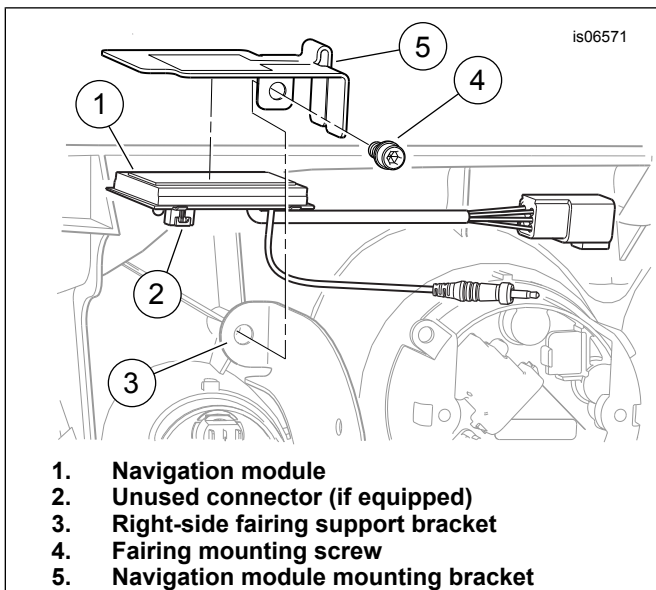
1. See the service manual and remove the main fuse.
2. Remove the outer fairing and windshield per the service manual.

MOUNTING BRACKET INSTALLATION

FLH Models (Except Trike)

1. See Figure 1. Remove the fairing mounting screw (4) at the top of the right side fairing support bracket (3).





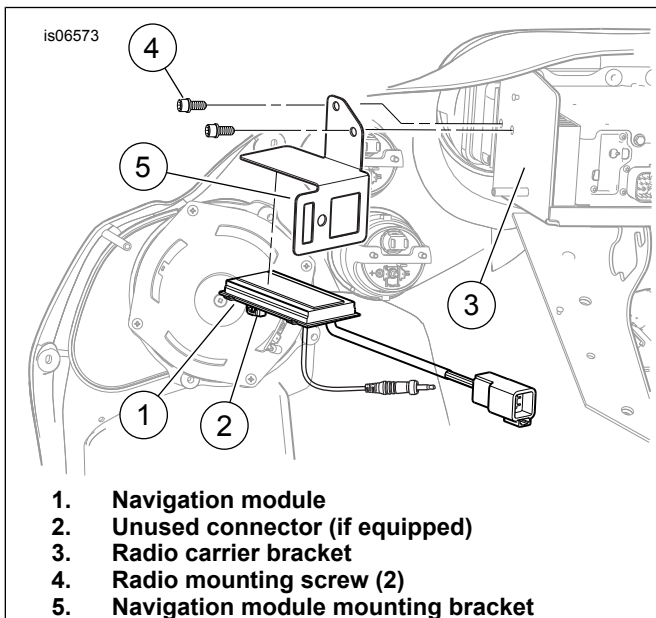
1. Navigation module
2. Unused connector (if equipped)
3. Right-side fairing support bracket
4. Fairing mounting screw
5. Navigation module mounting bracket

Figure 1. Module Bracket Installation (FLH Models)

2. Clip the module bracket (5) over the top edge of the support bracket.
3. Fasten the module bracket through the support bracket to the inner fairing with the screw removed earlier. Tighten to 2.3–3.4 N·m (20–30 in-lbs).

FLT Models

1. See Figure 2. Remove the right-side radio mounting screws (4).
2. Position the module bracket (5) to the side of the radio carrier bracket (3), lining up the two holes in the module bracket with the radio mounting holes.



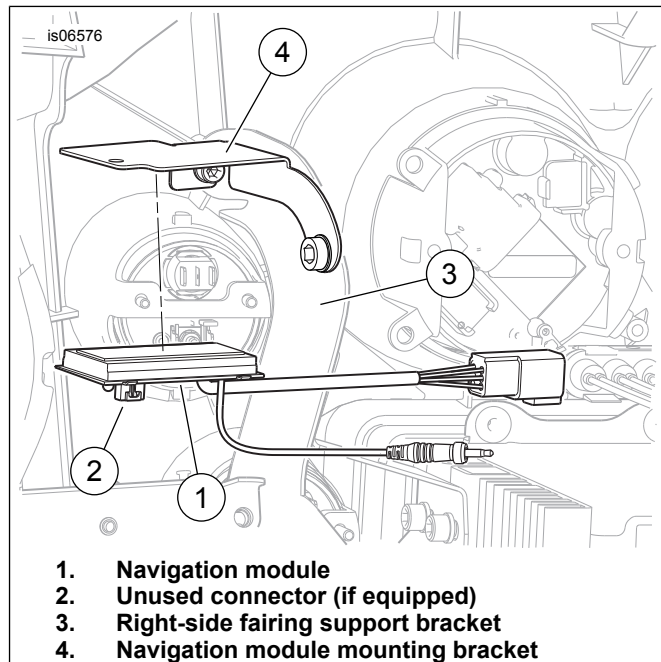
1. Navigation module
2. Unused connector (if equipped)
3. Radio carrier bracket
4. Radio mounting screw (2)
5. Navigation module mounting bracket

Figure 2. Module Bracket Installation (FLT Models)

3. Fasten the module bracket through the radio carrier bracket to the radio with the screws removed earlier. Tighten to 4–5.1 N·m (35–45 in-lbs).

Trike Models

1. See Figure 3. Locate the module mounting bracket (4) attached to the right side fairing support bracket (3).



1. Navigation module
2. Unused connector (if equipped)
3. Right-side fairing support bracket
4. Navigation module mounting bracket

Figure 3. Module Installation (Trike Models)

NAVIGATION INTERFACE MODULE INSTALLATION

1. See Figure 1, Figure 2 or Figure 3. Install the Navigation Interface Module (NIM) (1) on the underside of the module bracket.
 - a. Clean the underside of the module bracket with a 50-50 mixture of isopropyl alcohol and distilled water. Allow to dry thoroughly.
 - b. Remove the liner from the adhesive backing of the module. Carefully position the module to the module bracket with the six-way connector toward the front of the vehicle. Press the module squarely and firmly onto the bracket, and hold pressure for about 60 seconds. After releasing pressure, avoid direct contact with the module for about 20 minutes.
2. See the wiring diagrams in the service manual appendix. Locate the Audio Harness connector [6] near the back of the radio, and separate the six-way connector halves [6A] and [6B].
3. **Models WITHOUT 35-way connector on back of radio:** Get the Connector Kit (Part No. 69200033, sold separately), and install the wire terminals and seal plugs per the instructions in that kit. **Models WITH 35-way connector on back of radio:** See Figure 4 and Figure 5. Unplug the 35-way connector [28B] from the back of the radio. Follow instructions in the service manual appendix to remove the seal pins from cavities 4, 8, 19, 27 and 31. Insert the five terminated wires from the iPod/Navigation Interface Module (NIM) harness (2) into connector [28B] as follows:

- Insert the **red/blue** wire terminal into **cavity 4**.
 - Insert the **tan/red** wire terminal into **cavity 8**.
 - Insert the **violet/gray** wire terminal into **cavity 19**.
 - Insert the **black/blue** wire terminal into **cavity 27**.
 - Insert the **tan/blue** wire terminal into **cavity 31**.
4. **For ALL installations:** Mate the six-way connectors [6A] and [6B] of the iPod/NIM harness to connectors [6B] on the vehicle interconnect harness and [6A] on the vehicle audio harness.
 5. Plug the six-way connector [275B] of the iPod/NIM harness into the NIM interface module (1) connector [275A].

NOTE

Be sure to check that all socket terminals are fully seated and locked into the 35-way socket housing [28B] before plugging back into the radio.

6. Plug connector [28B] into the back of the radio.
7. **If an iPod Interface Module is also installed**, see the instructions in **that** kit for detailed mounting and electrical connections. **If an iPod Interface Module is not installed**, insert the cavity seal plugs (4) into the loose eight-way housing (3) from the kit. Install the eight-way housing on the unused pin housing [274B] of the iPod/NIM harness.
8. If the Zumo **is not** intended to be used as an audio device (MP3 or XM) then the audio Y-harness cable is not required. Skip Steps 9 through 14, and connect the single pin connector on the NIM module directly to the "AUDIO-OUT" socket connector coming from the Zumo mount. If the Zumo **will** be used as an audio device, proceed to Step 9.

NOTE

The audio Y-harness should be doubled back on itself at each of the three connection points to act as a strain relief.

9. Plug the single pin connector on the NIM module into one of the socket connectors on the audio Y-harness cable (5). The pin will lock to the cable port with an audible "click".
10. Route the remaining audio Y-harness cable socket connector and connect it to the audio cable from the Zumo GPS Kit.
11. Route the audio Y-harness cable pin connector and connect it to the "AUDIO-OUT" socket connector coming from the Zumo mount.
12. Use cable straps (6) from the kit to fasten the iPod/NIM harness and the NIM cable to the vehicle harnesses inside the fairing.
13. Route the audio cable from the Zumo GPS Kit out of the inner fairing through the hole for the handlebars. Use a clip from the Zumo kit to retain the cable along the inner fairing.

NOTE

When installing the jack plug to the radio port socket:

- Roll back the outer lip of the rubber seal.
- Install the plug into the AUX port on the front of the radio unit.
- Gently roll the seal back to its original shape to form a seal over the radio unit port.

This will help eliminate "spring-back" of the plug out of the socket.

14. Plug the 3.5 mm stereo jack (with rubber boot attached) on the audio cable into the AUX port on the front of the radio.

RETURN TO SERVICE

NOTE

*To prevent possible damage to the sound system, verify that the ignition key switch is in the OFF position **before** installing the main fuse.*

1. See the service manual and install the main fuse.
2. Plug the NIM cable connector into the NIM.
3. Turn the ignition key switch ON, and test the NIM for proper operation.
4. Install the outer fairing and windshield per service manual instructions.

IN USE

▲ WARNING

Set volume levels and other controls on audio and electronic devices before riding. Distractions can lead to loss of control, resulting in death or serious injury. (00088b)

See the Zumo owner's manual for information on setting the navigation volume level.

Bluetooth Settings for Zumo Device:

The Zumo's Bluetooth and Audio Out settings should be handled in this manner:

- When a BT headset is paired with the zumo, select **Main Menu>Volume>Audio Output>Headphone** .
- When no BT headset is paired with the zumo, disable the BT pairing even for mobile phones by selecting **Main Menu>Tools>Settings>Bluetooth>Disabled**.

the speaker selector switch should be in the "a" (illuminated) rearward position to hear navigation prompts over the vehicle speakers.

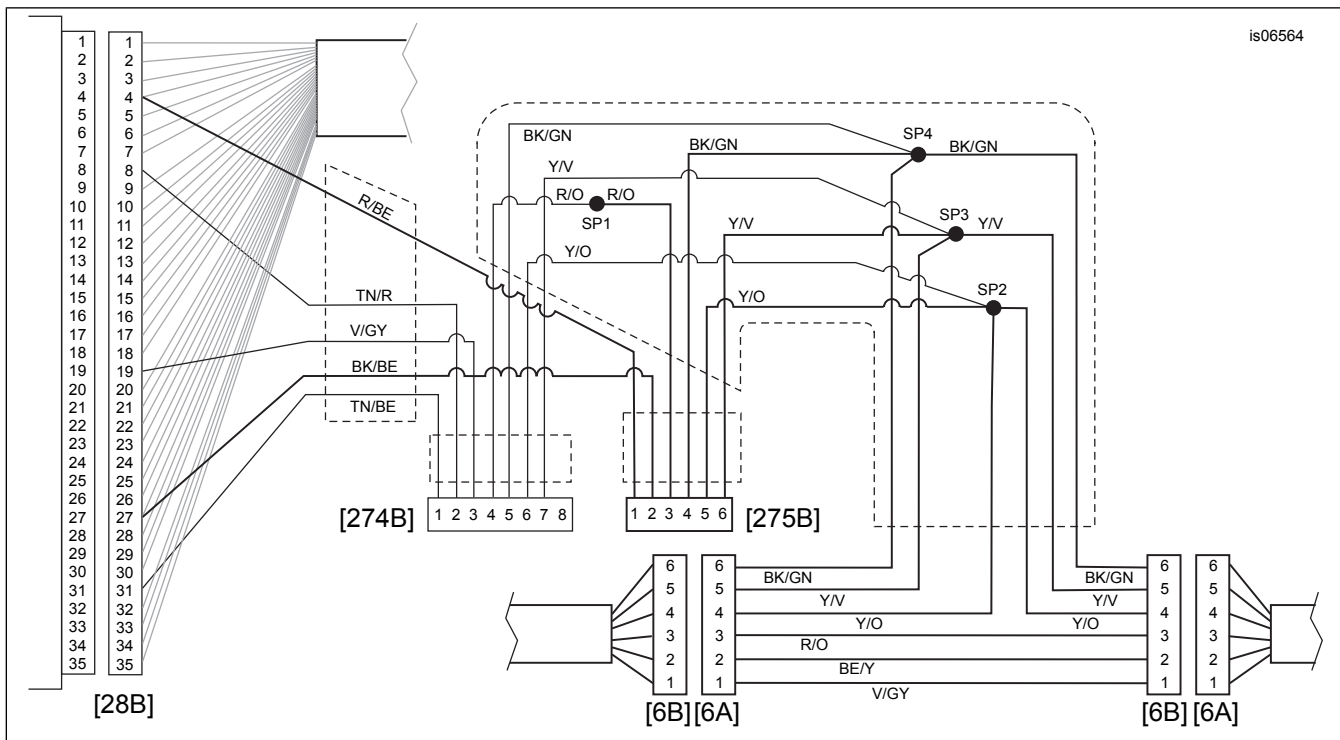


Figure 4. Wiring Diagram, iPod/Navigation Interface Module

SERVICE PARTS

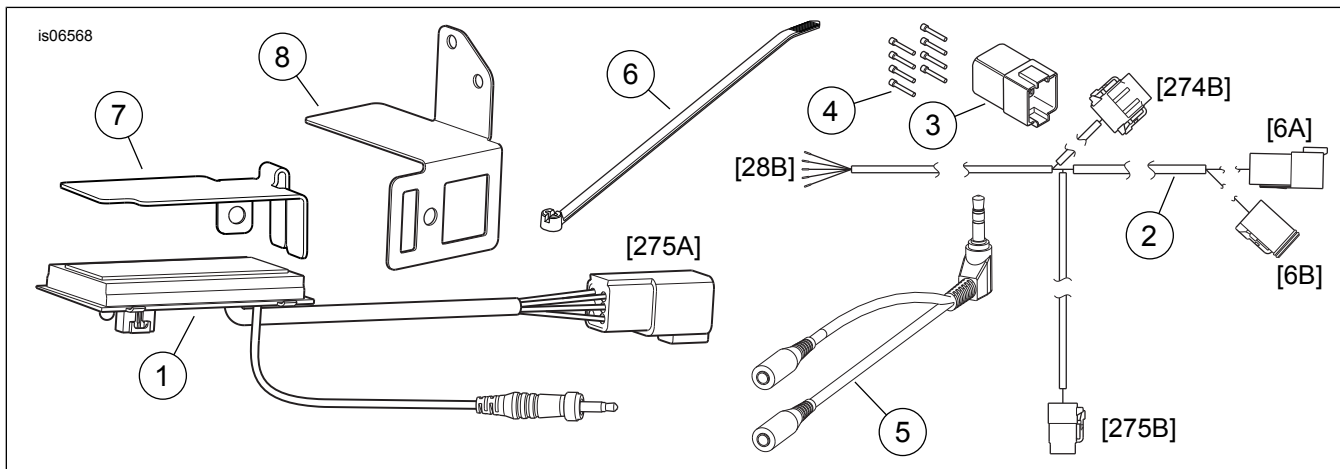


Figure 5. Service Parts, Navigation Interface Module

Table 1. Service Parts

Item	Description (Quantity)	Part Number
1	Module, Navigation Interface (NIM)	83537-11A
2	Harness, iPod/NIM	76477-10
3	Pin housing, eight-way, Deutsch DTM, black	74108-98BK
4	Seal pin (8)	74195-98
5	Y-Harness, audio	69200023
6	Cable strap (4)	10006
7	Bracket, NIM mounting (FLH models)	76455-06
8	Bracket, NIM mounting (FLT models)	83277-11