



INSTRUCTIONS

J05068

2021-03-02



HERITAGE FLAT TOP AND LOCK KIT

GENERAL

Kit Number

88373-10A

Models

For model fitment information, see the P&A Retail Catalog or the Parts and Accessories section of www.harley-davidson.com (English only).

Ensure you are using the most current version of the instruction sheet which is available at: www.harley-davidson.com/isheets

Installation Requirements

⚠ WARNING

Rider and passenger safety depend upon the correct installation of this kit. Use the appropriate service manual procedures. If the procedure is not within your capabilities or you do not have the correct tools, have a Harley-Davidson dealer perform the installation. Improper installation of this kit could result in death or serious injury. (00333b)

- Separate purchase of Keyed to Match Barrel Lockset (Part No. 90300010). This item is available at a Harley-Davidson dealership.
- 3M™ Scotch-Grip™ Plastic Adhesive 4693H, 5 ounce tube

Kit Contents

See Figure 6 and Table 1.

PREPARE

1. Remove saddlebags. See service manual.
2. See Figure 6. Install support board (7) to inner saddlebag lid (A).
3. See Figure 1. Place support board against lid seam and trace a marker line on leather.

INSTALL

NOTE

Ambient temperature should be no lower than 65° F (18° C).

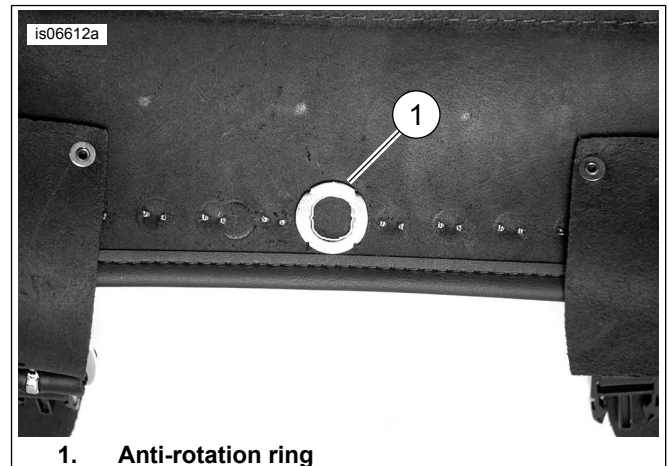
1. See Figure 1. Apply an even coat of adhesive to saddlebag lid and non-textured side of support board.
2. Bond together with firm pressure and allow one hour for adhesive to set.



1. Support board

Figure 1. Inner Saddlebag Lid Support Board

3. Remove center chrome stud from saddlebag lid.
4. See Figure 2. Install anti-rotation ring (1) where chrome stud was just removed.
 - a. Install with prongs facing inner saddlebag lid.
5. Draw a circle on inside of anti-rotation ring (1).
6. Cut out marked circle.



1. Anti-rotation ring

Figure 2. Cut Hole for Lock Assembly

7. See Figure 6 and Refer to Table 1. Install lock assembly (8) to saddlebag lid (A).
 - a. Install flat washer (f) to cam lock (g).
 - b. Insert cam lock (g) through hole in saddlebag lid.



- c. Install anti-rotation ring (e) with prongs facing leather.
- d. Install nut (d) over anti-rotation ring (e). Tighten.
- e. Install cam plate (c), T-bar (b) and screw (a). Tighten screw to cam lock.
- f. Use key (h) to check lock operation.

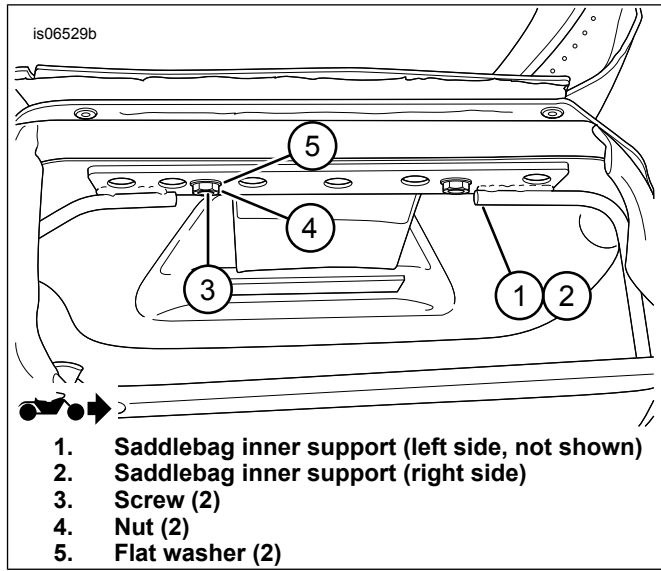
- 8. See Figure 3 or Figure 4. Install inner supports (1, 2).
 - a. **Use temporary hardware:** 5/16 screws (3), nuts (4) and washers (5) (not included in kit).

- 9. See Figure 4. If installing this kit with Quick Detach Saddlebag Conversion Kit (Part No. 90200641):

- a. Use hardware provided in that kit to install inner supports to saddlebag.
- b. Large washers from that kit should be discarded when installing inner supports.

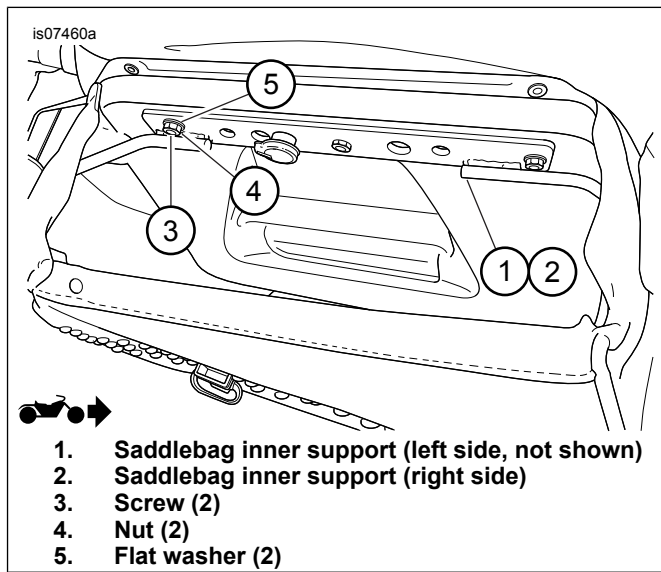
- 10. See Figure 5. Install lock plate (1) on outside of saddlebag tub.

- a. T-bar (not shown, under saddlebag lid) must be in a horizontal position.
- b. Close saddlebag lid.
- c. Center lock plate (1) with lock assembly (2).
- d. Carefully lift saddlebag lid and mark location of lock plate (1).
- e. Using a wood block inside saddlebag, drill 3/16 inch holes using lock plate as a template.
- f. See Figure 6. Position lock plate (2) and install blind rivets (3).
- g. Install washers (1) from inside of saddlebag tub and over head of blind rivet (3). Pop rivets into place.



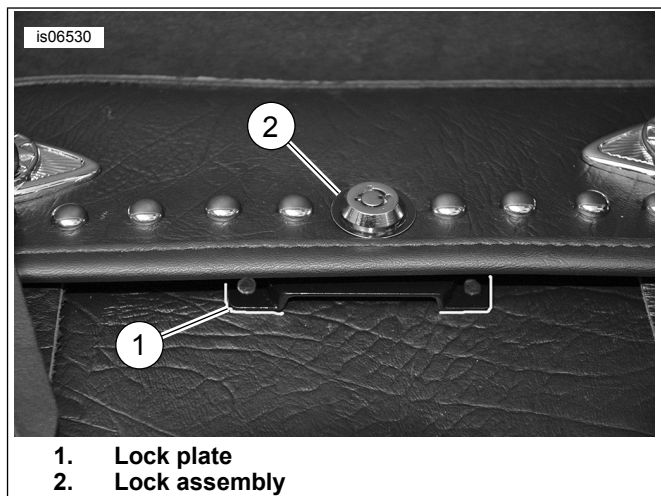
- 1. Saddlebag inner support (left side, not shown)
- 2. Saddlebag inner support (right side)
- 3. Screw (2)
- 4. Nut (2)
- 5. Flat washer (2)

Figure 3. Temporary Hardware Installation



- 1. Saddlebag inner support (left side, not shown)
- 2. Saddlebag inner support (right side)
- 3. Screw (2)
- 4. Nut (2)
- 5. Flat washer (2)

Figure 4. Temporary Hardware Installation With Detach Saddlebag Kit (90200641)



- 1. Lock plate
- 2. Lock assembly

Figure 5. Positioning lock plate

- 11. Repeat steps for opposite saddlebag.

COMPLETE

2. Install saddlebags. See service manual.

1. Remove temporary hardware from saddlebag.

SERVICE PARTS

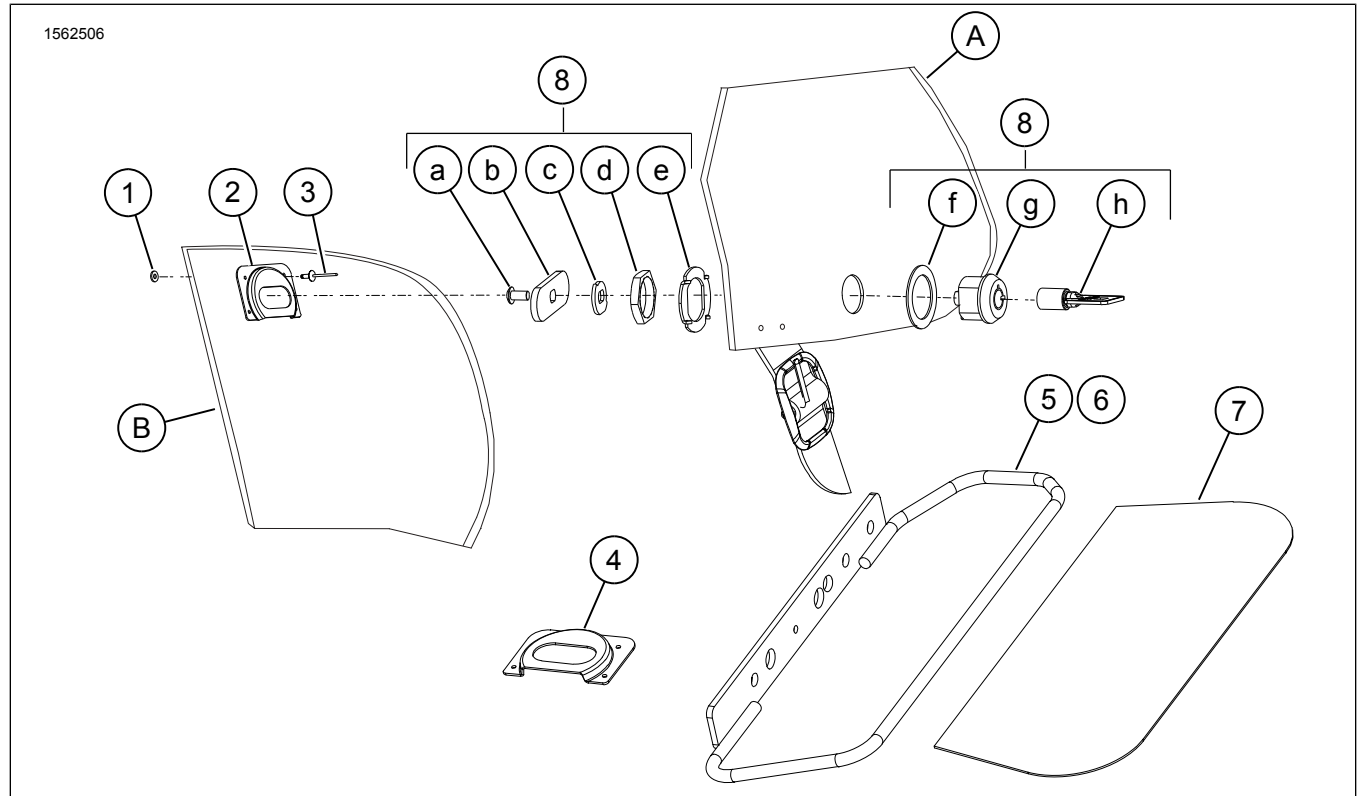


Figure 6. Service Parts: Heritage Bags Flat Top and Lock Kit

Table 1. Service Parts Table

Item	Description (Quantity)	Part Number
1	Plain washer, Type A (8)	6717
2	Lock plate (2)	90200063
3	Rivet, blind (8)	Not sold separately
4	Lock plate (2)	Not sold separately
5	Inner support, right side (not shown)	Not sold separately
6	Inner support, left side	Not sold separately
7	Support board (2)	Not sold separately
Lock Assembly Components (See Installation Requirements):		
8	Lock Assembly (a-h)	
a	Screw (2)	Not sold separately
b	T-Bar (2)	Not sold separately
c	Cam plate (2)	Not sold separately
d	Nut (2)	Not sold separately
e	Anti-rotation ring (2)	Not sold separately
f	Flat washer (2)	Not sold separately
g	Cam lock (2)	Not sold separately
h	Key (2)	71452-91A
Items mentioned in text, but not included in kit:		
A	Saddlebag lid	
B	Saddlebag tub	
C	Detachable Saddlebag Conversion Kit	