



INSTRUCTIONS

J05173

2010-07-27



AIR CLEANER TRIM, SKULL, ROUND COVER

GENERAL

Kit Number

61400007, 61400009

Models

This kit fits 2011.5 FXS model motorcycles equipped with a stock air cleaner cover.

Kit Contents

See Figure 1 and Table 1.

INSTALLATION

1. See Figure 1 and Table 1. Remove and save the original air cleaner cover screw (A).
2. Insert cover screw (A) to round bracket (3) and install to air cleaner cover and tighten to 3.4–6.7 N·m (30–60 in-lbs).
3. Install the new air cleaner trim insert (1) using the five new screws (2) from the kit, and tighten screws to 3.4–4.1 N·m (30–37 in-lbs).

SERVICE PARTS

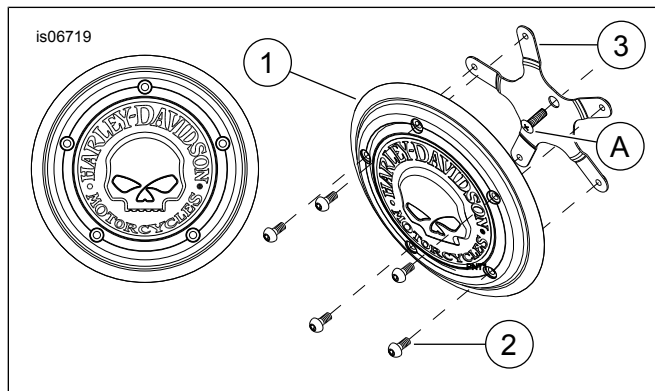


Figure 1. Air Cleaner Trim, Skull, Round Cover

Table 1. Service Parts

Item	Description (Quantity)	Part Number
1	Air cleaner trim insert, skull, 8" round	Not Sold Separately
2	Screw, TORX® button head, 10-32 X 1/4 in., chrome	94590-98
3	Bracket, air cleaner cover	Not Sold Separately
Items mentioned in text, but not included in kit.		
A	OEM air cleaner cover screw	

