



# INSTRUCTIONS

J04962

2009-06-01



## CHROME SADDLEBAG SUPPORT KIT

### GENERAL

#### Kit Number

91017-10

#### Models

For model fitment information, see the P&A Retail Catalog or the Parts and Accessories section of [www.harley-davidson.com](http://www.harley-davidson.com) (English only).

#### Additional Parts Required

Separate purchase of LOCTITE® 243 - Threadlocker and Sealant (Blue) is required for proper installation of this kit. Loctite is available from a Harley-Davidson dealer.

**Separate purchase** of additional parts or accessories may be required for proper installation of this kit on your model motorcycle. Refer to the latest Harley-Davidson Genuine Motor Accessories and Genuine Motor Parts catalog for a list of required parts or accessories for your model.

#### ⚠ WARNING

Rider and passenger safety depend upon the correct installation of this kit. Use the appropriate service manual procedures. If the procedure is not within your capabilities or you do not have the correct tools, have a Harley-Davidson dealer perform the installation. Improper installation of this kit could result in death or serious injury. (00333b)

#### NOTE

This instruction sheet references service manual information. A service manual for your model motorcycle is required for this installation and is available from a Harley-Davidson dealer.

### Kit Contents

See Figure 3 and Table 1.

### REMOVAL

#### NOTE

Perform all the procedures in this instruction sheet on one side of the vehicle before performing any removal or installation steps on the other side.

1. Remove seat and pillion (if equipped) following the instructions in the service manual.
2. See Figure 1. Remove acorn nut (1), washers (3), mounting stud (5), washer (6) and nut (7). Discard hardware.
3. **For All Models Except FXDB and FXDWG Models:** Remove and save upper shock cover (2) (if equipped). **For FXDB and FXDWG Models:** Remove and discard upper shock cover (2).

4. See Figure 2. Remove and discard the fender mounting bolt (11) from fender support cover.
5. **For All Models Except FXDF:** Remove spacer (12). Save for installation.

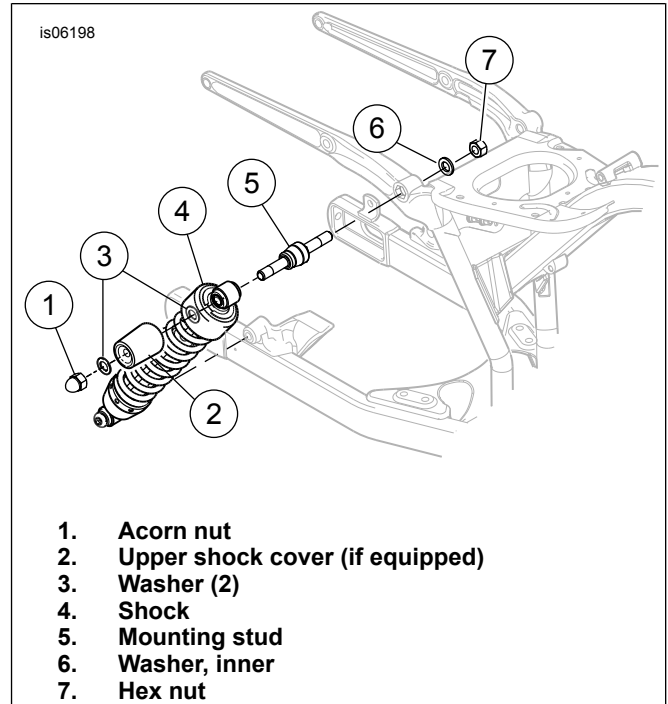
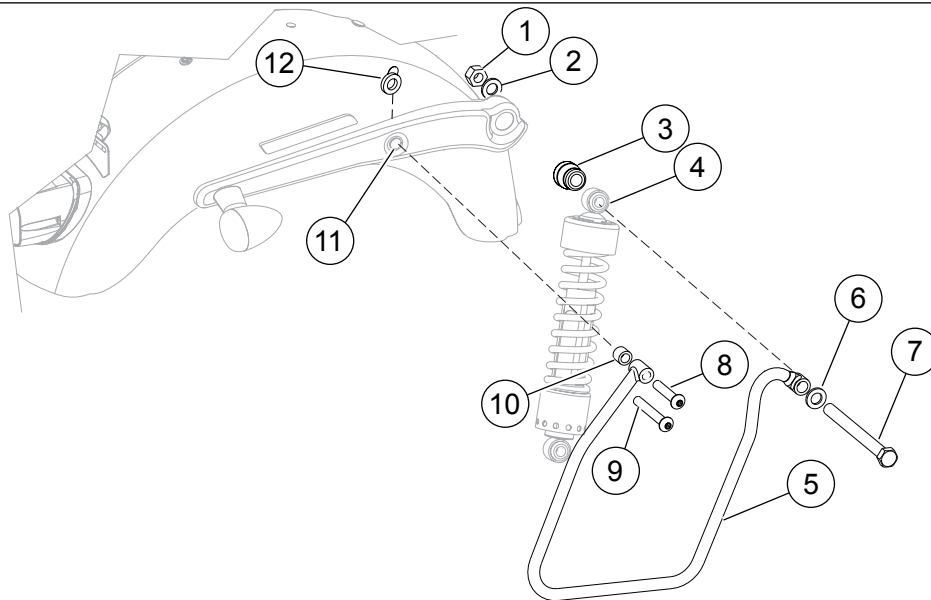


Figure 1. Remove Rear Shock Absorber (Typical)

### INSTALLATION

1. See Figure 2. Apply Loctite 243 - Threadlocker and Sealant (Blue) to the threads of the mounting bolt (7).
2. Install the saddlebag support (5) to the shock absorber (4) with nut (1), washer (2), spacer (3), washer (6) and bolt (7).
3. **For All Models:** Apply Loctite 243 - Threadlocker and Sealant (Blue) to the threads of the mounting bolt (8 or 9). **For FXDWG Models:** Install rear mounting point of saddlebag support with short button head screw (8). **For FXDF Models:** Install rear mounting point of saddlebag support with short button head screw (8) Verify that stock spacer (12) is in correct position. **For All Other Models:** Install rear mounting point of saddlebag support with the long button head screw (9) and spacer (10).
4. Tighten upper shock bolt (7) to 95–115 N·m (75–85 ft-lbs).
5. Tighten rear mounting screw (8 or 9) to 16–24 N·m (12–18 ft-lbs).





- |                              |  |
|------------------------------|--|
| 1. Nut, hex                  | 7. Screw, hex                                |
| 2. Washer                    | 8. Screw (FXDWG and FXDF models)             |
| 3. Spacer                    | 9. Screw (all models except FXDWG and FXDF)  |
| 4. Upper shock mounting hole | 10. Spacer(all models except FXDWG and FXDF) |
| 5. Saddlebag support         | 11. Fender support bolt                      |
| 6. Washer                    | 12. Stock spacer (all models except FXDF)    |

Figure 2. Install Saddlebag Support

## SERVICE PARTS

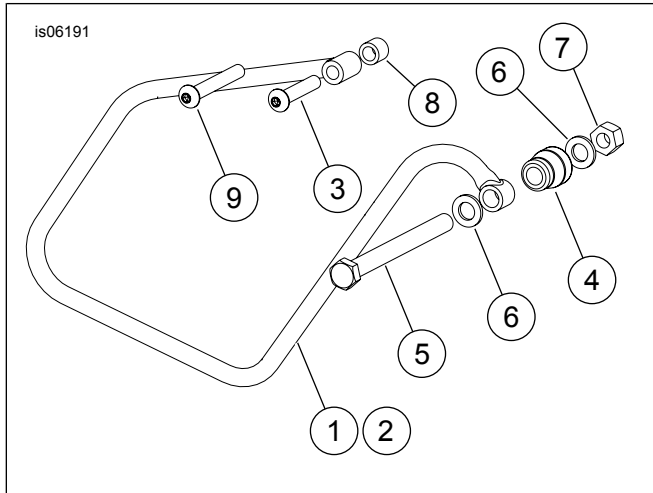


Figure 3. Service Parts: Saddlebag Support Kit

Table 1. Service Parts

Item	Description (Quantity)	Part Number
1	Support, saddlebag, right	Not Sold Separately
2	Support, saddlebag, left	Not Sold Separately
3	Screw, button head (2) (for FXD-WG and FXDF models)	4215
4	Spacer, shock upper (2)	Not Sold Separately
5	Screw, hex head (1)	Not Sold Separately
6	Washer (4)	6792
7	Nut, hex (2)	7880
8	Spacer (2)	5799
9	Screw, hex head (2) (for all models except FXDWG and FXDF)	Not Sold Separately