



INSTRUCTIONS

J04068

2012-11-09



TOURING CHROME ENGINE COVER KIT

GENERAL

Kit Number

16326-07B

Models

For model fitment information, see the P&A retail catalog or the Parts and Accessories section of www.harley-davidson.com (English only).

Additional Parts Required

▲ WARNING

Rider and passenger safety depend upon the correct installation of this kit. Use the appropriate service manual procedures. If the procedure is not within your capabilities or you do not have the correct tools, have a Harley-Davidson dealer perform the installation. Improper installation of this kit could result in death or serious injury. (00333b)

SERVICE PARTS

NOTE

This instruction sheet references service manual information. A service manual for this model motorcycle is required for this installation and is available from a Harley-Davidson dealer.

Kit Contents

See Figure 1 and Table 1.

INSTALLATION

The chrome engine covers are direct replacements for the original equipment (OE) engine covers. Installation procedures for this kit are the same as the OE installation procedures in the service manual.

NOTE

Refer to the service manual for engine cover removal and installation procedures.

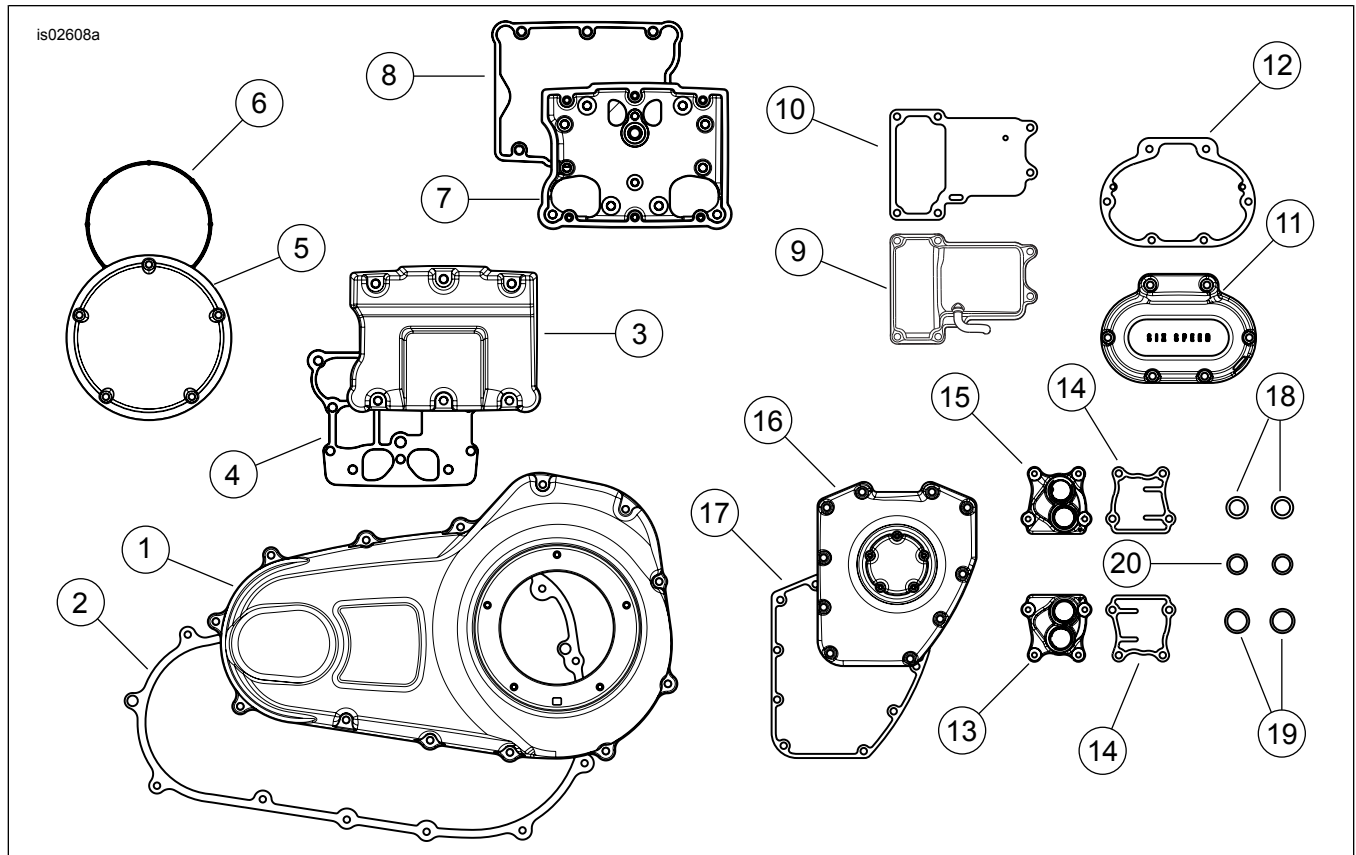


Figure 1. Service Parts, Touring Chrome Engine Cover Kit

Table 1. Service Parts, Touring Chrome Engine Cover Kit

Item	Description (Quantity)	Part Number
1	Primary chaincase cover (chrome)	60553-07A
2	Primary chaincase cover gasket	34901-07
3	Rocker cover (2)	17572-99
4	Rocker housing gasket (2)	16719-99B
5	Clutch cover (chrome)	60766-06
6	Seal, clutch cover	25418-06
7	Rocker cover, lower (chrome) (2)	17573-99A
8	Rocker cover gasket (2)	17386-99A
9	Transmission top cover (chrome)	34469-06B
10	Transmission top cover gasket	34917-06
11	Transmission side cover (chrome)	37116-06
12	Transmission side cover gasket	36805-06
13	Tappet cover, rear (chrome)	17966-99
14	Tappet cover gasket (2)	18635-99B
15	Tappet cover, front (chrome)	17964-99
16	Cam cover (chrome)	25369-01B
17	Cam cover gasket	25244-99A
18	O-ring (4)	11293
19	O-ring, push rod, lower guide (4)	11145A
20	O-ring (4)	11132A