



INSTRUCTIONS

J04749

2008-04-25



TRI GLIDE CHROME FORK SLIDERS

GENERAL

Kit Number

83819-09

Models

For model fitment information, please see the P&A Retail Catalog or the Parts and Accessories section of www.harley-davidson.com (English only).

Additional Parts Required

Harley-Davidson TYPE E FORK OIL (part number 99884-80) will be required.

⚠ WARNING

Rider and passenger safety depend upon the correct installation of this kit. Use the appropriate service manual procedures. If the procedure is not within your capabilities or you do not have the correct tools, have a Harley-Davidson dealer perform the installation. Improper installation of this kit could result in death or serious injury. (00333b)

NOTE

This instruction sheet references Service Manual information. A Service Manual for your model motorcycle is required for this installation and is available from a Harley-Davidson Dealer.

Kit Contents

See Figure 2 and Table 1.

REMOVAL

⚠ WARNING

Wear safety glasses or goggles when servicing fork assembly. Do not remove slider tube caps without relieving spring preload or caps and springs can fly out, which could result in death or serious injury. (00297a)

1. Remove front forks following the instructions in the appropriate Service Manual.
2. Disassemble the front fork tubes according to instructions in the appropriate Service Manual.
3. Inspect components for wear or damage. Replace components as necessary.

INSTALLATION

NOTE

Prior to installation of this kit, check the bores of the new chrome sliders to be certain they are free of dirt and debris or damage to the new sliders may occur.

1. See Figure 2. Assemble the front fork tubes following the instructions in the appropriate Service Manual. Replace the oil seals with **new** slider oil seals (4).
2. Fill with TYPE E FORK OIL following the the instructions found in the Service Manual.
3. Install the front fork and any parts that were removed to access the front forks following the instructions in the appropriate Service Manual.

NOTE

The front reflectors located on both sides of the original fork sliders must be removed, cleaned and installed on the new chrome fork sliders.

⚠ WARNING

Federal Motor Vehicle Safety Standard (FMVSS) 108 requires motorcycles to be equipped with rear and side reflectors. Be sure rear and side reflectors are properly mounted. Poor visibility of rider to other motorists can result in death or serious injury. (00336b)

4. Using a piece of dental floss (or similar material) in a back and forth motion, loosen the reflector from the fork slider at both ends. Rotate the reflector from side to side until it can be removed from the fork slider. Retain the reflector for installation to the **new** slider. Repeat the procedure on the opposite side fork slider.

5. Peel off any excess adhesive from both reflectors.

NOTE

*Ambient temperature should be **at least** 60° F (16° C) for proper adhesion of the reflectors to the sliders.*

6. See Figure 2. Peel the liner from one side of the foam double-sided tape (5). Position the tape to the back of the reflector, and press firmly into place.
7. Peel the remaining liner from the tape. Place the reflector in position on the fork slider as shown in Figure 1 and press firmly into place.
8. Repeat the procedure on the opposite side fork slider.

NOTE

*Allow **AT LEAST 24 hours** after applying the reflectors before exposing the area to vigorous washing, strong water spray or extreme weather.*



▲ WARNING

Whenever a wheel is installed and before moving the motorcycle, pump brakes to build brake system pressure. Insufficient pressure can adversely affect brake performance, which could result in death or serious injury. (00284a)

9. Pump the brakes prior to test riding the motorcycle.
10. Test ride the vehicle to verify proper fork travel and rebound.

Table 1. Service Parts: Chrome Fork Slider

Item	Description (Quantity)	Part Number
1	Fork slider, left side (chrome)	83820-09
2	Fork slider, right side (chrome)	83821-09
3	Axle cap, right side (chrome)	46658-07
4	Oil seal, slider (2)	45875-84A
5	Tape, double-sided (2)	53791-06
6	Axle retainer nut kit (chrome)	45813-03

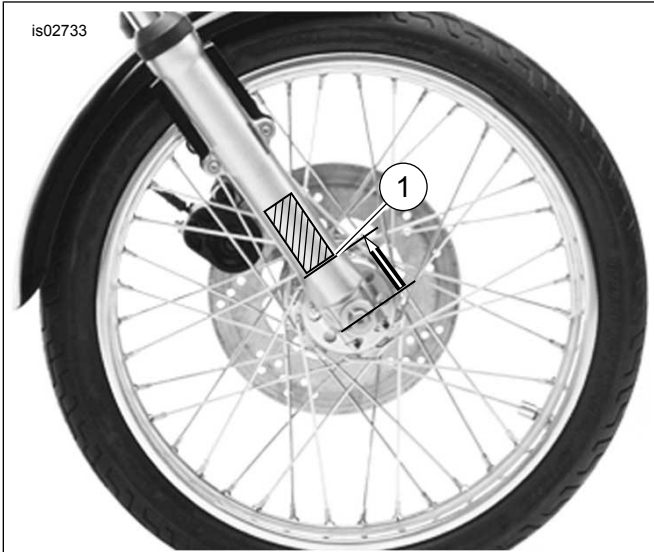


Figure 1. Reflector Placement

SERVICE PARTS

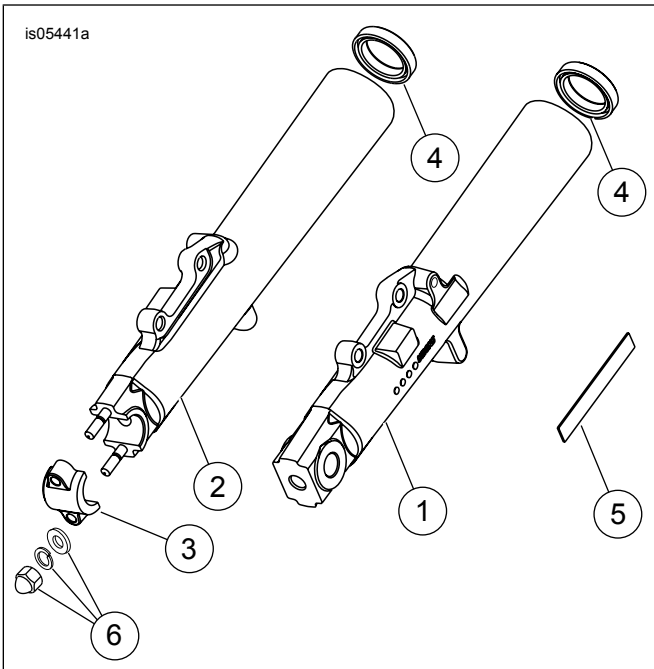


Figure 2. Service Parts: Chrome Fork Sliders