



INSTRUCTIONS

J05263

2013-11-01



DETACH DEPOT WALL RACK

GENERAL

Kit Number

93100005

Models

This storage rack is designed to store detachable Harley-Davidson® motorcycle accessories such as windshields, backrests, Tour-Paks, sissy bars, luggage racks etc.

Additional Parts or Accessories

Quick Release Windshield Mounts, (Part Number 93100015)

Rider Backrest Mount (Part Number 93100016)

Kit Contents

See Figure 5 and Table 1.

INSTALLATION OF RACK TO WALL

NOTE

This wall storage rack is designed to mount to the wall with the stud centerlines set sixteen inches apart. Mounting can also be done using a backing board mounted to the studs that are non-standard distance.

1. See Figure 5 and Table 1. Assemble the wall storage rack using rods at all four corners.
2. Use a level to draw a line across the studs where the rack will be mounted. Hold the rack up to the line to mark where the mounting holes will be. You may want to use a drill and a small drill bit to drill pilot holes for the lag bolts (7).
3. Mount the rack using the lag bolts.

INSTALLATION OF ACCESSORIES TO RACK

1. The Detach Depot has been designed to accommodate up to three accessories at once. One accessory on the top, one on the bottom and one windshield on the front (facing down).
2. The adjustable rods can be mounted to any open slot on the sideplates. Configure the adjustable rods in a manner that best suits your particular accessories. One rod may be used to attach two different detachables. See Figure 5. Mount the adjustable rods to the sideplates using a washer (1) and screw (5) on each side. You may need to readjust the rods a few times in order to get the configuration correct for first time use. Once the rods are in their proper location, cover the screws with decorative end caps (6).

NOTE

See Figure 1. We suggest Tour-Paks be mounted on the top of the rack for ease of removal and access during storage.

3. See Figure 2. Quick Release style windshields require separate purchase of a mount kit. The windshields attach to adjustable tubes oriented vertically and in parallel on the front rods.
4. See Figure 3. Sport Tour-Paks and sissybars can be mounted directly to the rods of the Wall Rack.
5. See Figure 4. Detachable style windshields (Softail Heritage and Road King Classic) can be mounted directly to the rods on the front side of the wall rack.
6. See Figure 2 and Figure 5. Rider Backrests require separate purchase of a mount kit (8). The mount attaches to the bottom slot on the sideplates.

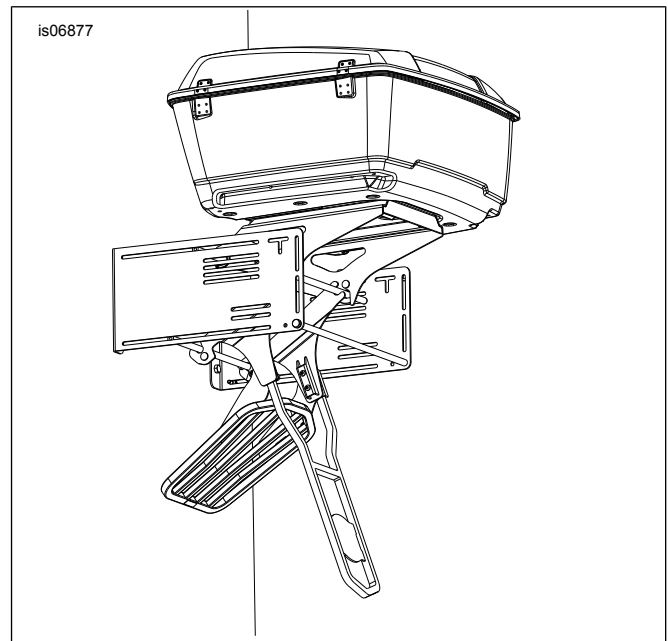


Figure 1. Detach Depot Wall Rack Shown with Detachable Accessories (accessories not part of kit)



is06895

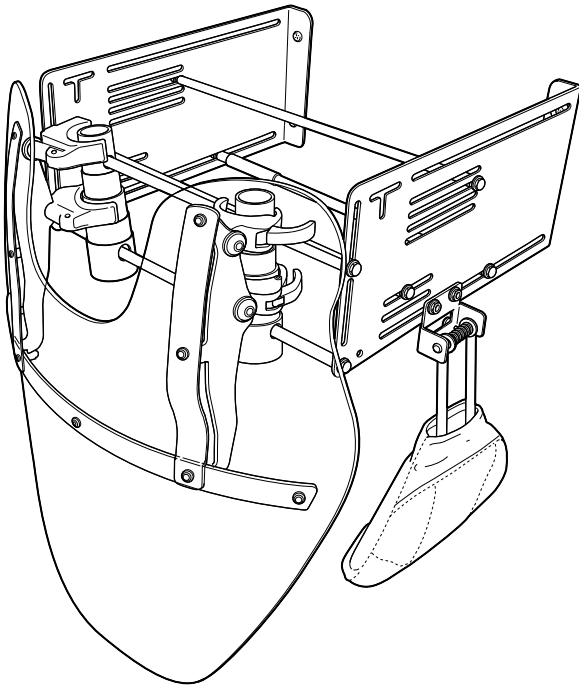


Figure 2. Wall Rack with Quick Release Windshield and Rider Backrest attached

is06888

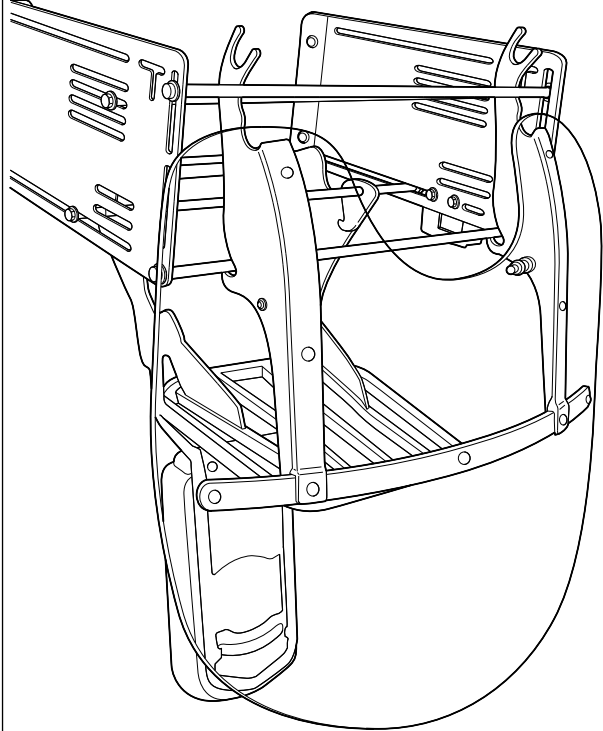


Figure 4. Wall Rack with Sissybar/luggage Rack and Detachable Windshield

is06880

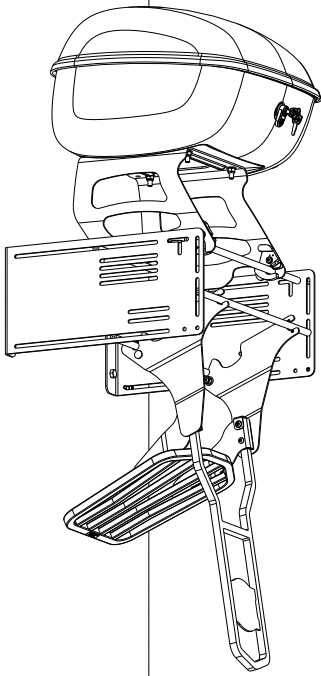


Figure 3. Wall Rack with Sport Tour-Pak and Sissybar/Luggage Rack

SERVICE PARTS

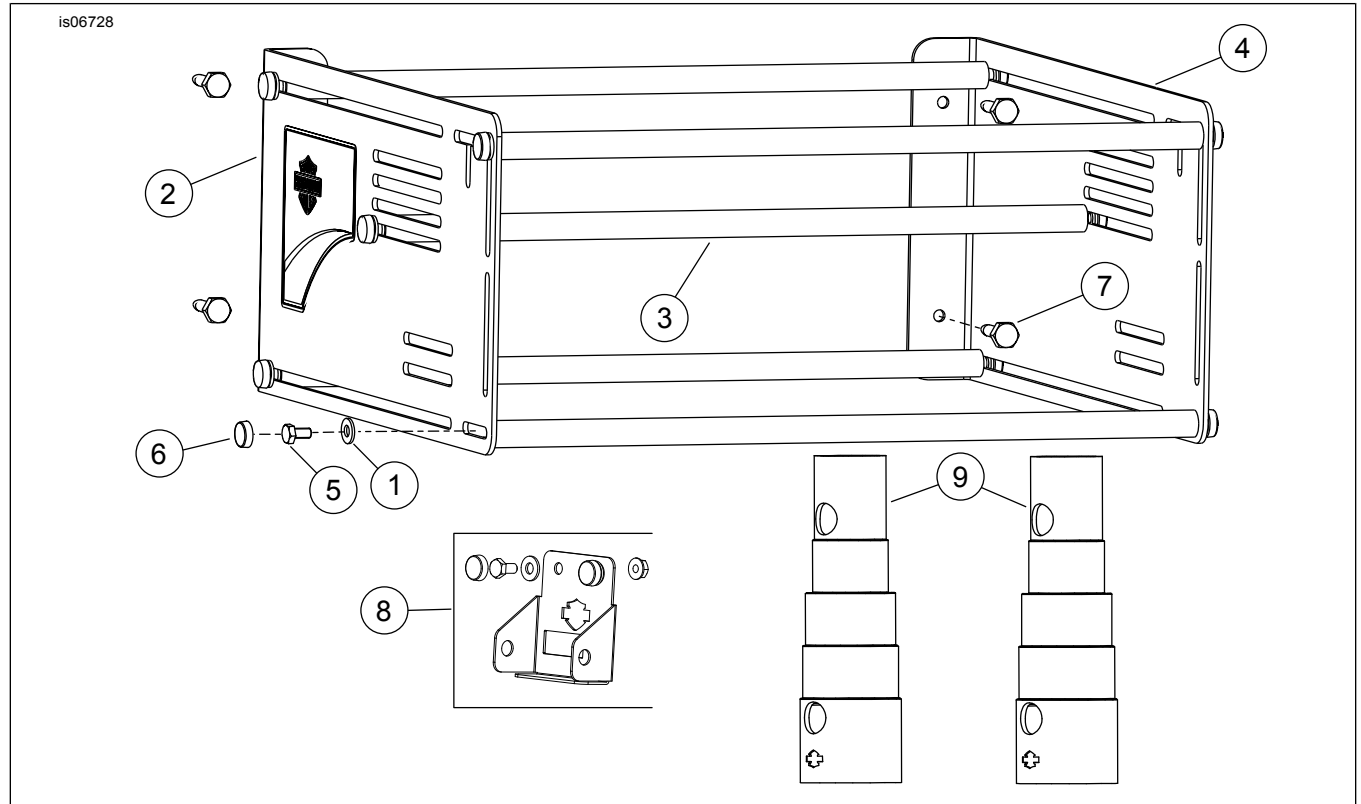


Figure 5. Service Parts: Detach Depot Wall Rack

Table 1. Service Parts Table

Item	Description (Quantity)	Part Number
1	Plain washer, type A (10)	6703
2	Left side plate	Not Sold Separately
3	Connecting rod (5)	93100008
4	Right side plate	Not Sold Separately
5	Hex head bolt 1/4-28 x .5 inch (10)	Not Sold Separately
6	End cap (10)	93100010
7	Lag bolt, 1/4 inch (4)	Not Sold Separately
8	Rider backrest mount (Sold Separately)	93100016
9	Quick release windshield mounts (Sold Separately)	93100015