



INSTRUCTIONS

J04916

2010-04-26



HANDLEBAR-MOUNTED SPEAKER AND AMPLIFIER KITS

GENERAL

Kit Numbers

76262-08, 76320-08

Models

For model fitment information, see the P&A retail catalog or the Parts and Accessories section of www.harley-davidson.com (English only).

Additional Parts Required

2011 and later Softail models will require separate purchase of an Electrical Connection Kit (H-D Part No. 72673-11).

Connection to an audio device (MP3 player or similar device, purchased separately) with a 3.5 mm (1/8 in) stereo output (headphone jack or audio line out) is required.

NOTE

*A Boom! Audio Tank Pouch (H-D Part No. 91003-10) can be used to secure a **solid-state** audio device.*

*DO NOT secure an MP3 player or similar device with a **hard drive memory** on or to the vehicle.*

For best sound quality, an installed windshield is recommended.

Tools and Supplies Required

An UltraTorch UT-100 (HD-39969), Robinair Heat Gun (HD-25070) with Heatshrink Attachment (HD-41183), or other suitable radiant heating device is required for the proper installation of this kit.

Electrical Contact Lube (H-D Part No. 99861-02) or equivalent is required for the proper installation of this kit. This item is available from a Harley-Davidson dealer.

⚠ WARNING

Rider and passenger safety depend upon the correct installation of this kit. Use the appropriate service manual procedures. If the procedure is not within your capabilities or you do not have the correct tools, have a Harley-Davidson dealer perform the installation. Improper installation of this kit could result in death or serious injury. (00333b)

NOTE

This instruction sheet refers to service manual information. A service manual for this year/model motorcycle is required for this installation and is available from a Harley-Davidson dealer.

Electrical Overload

NOTICE

It is possible to overload the vehicle's charging system by adding too many electrical accessories. If the combined electrical accessories operating at any one time consume more electrical current than the vehicle's charging system can produce, the electrical consumption can discharge the battery and cause damage to the vehicle's electrical system. (00211d)

⚠ WARNING

When installing any electrical accessory, be certain not to exceed the maximum amperage rating of the fuse or circuit breaker protecting the affected circuit being modified. Exceeding the maximum amperage can lead to electrical failures, which could result in death or serious injury. (00310a)

The Speaker and Amplifier Kit requires up to **4.0 A** additional current from the electrical system.

Kit Contents

See Figure 5 and Table 1.

INSTALLATION

Preparation

NOTE

For vehicles equipped with security siren:

- Verify that the Hands-Free Fob is present.
- Turn the ignition key switch to **IGNITION**.

For ALL vehicles with main fuse:

⚠ WARNING

To prevent accidental vehicle start-up, which could cause death or serious injury, remove main fuse before proceeding. (00251b)

1. Refer to the service manual and follow the instructions to remove the main fuse. Remove and retain the seat and all seat mounting hardware.

For ALL vehicles with main circuit breaker:

⚠ WARNING

To prevent accidental vehicle start-up, which could cause death or serious injury, disconnect negative (-) battery cable before proceeding. (00048a)



1. Refer to the service manual and follow the instructions to remove the seat and disconnect the negative (black) battery cable from the negative (-) battery terminal. Retain all seat mounting hardware.

NOTE

For 2004 and later XL (Sportster®) models, the negative battery cable is most easily disconnected **at the engine crankcase**.

2. **For ALL models:** Turn the ignition key switch OFF if not already done.
3. If equipped, remove the windshield from the vehicle per the instructions in the service manual or accessory kit. Be sure to protect the windshield from scratches during removal and installation, and while off the vehicle.

▲ WARNING

When servicing the fuel system, do not smoke or allow open flame or sparks in the vicinity. Gasoline is extremely flammable and highly explosive, which could result in death or serious injury. (00330a)

▲ WARNING

To prevent spray of fuel, purge system of high-pressure fuel before supply line is disconnected. Gasoline is extremely flammable and highly explosive, which could result in death or serious injury. (00275a)

4. Remove the fuel tank from the vehicle per the instructions in the service manual.
5. **For FLHR/C/S (Road King®) models only:** Remove the handlebar cover from the vehicle and separate the left and right nacelle halves per the instructions in the service manual.

Amplifier and Bracket Installation

1. See Figure 5. Select two 1/4-20 x 16 mm (0.62 in) long TORX® head screws (6) and the correct amplifier mounting bracket (item 7 or 8) from the kit.

- **For Touring and Sportster models:** select bracket (7).
- **For Dyna and Softail models:** select bracket (8).

NOTE

The wire exiting the amplifier must face **downward**.

2. See Figure 1. Install the amplifier (5, part of the wire harness assembly) to the bracket with the screws (6), and tighten to 7.4 N·m (65 in-lbs).
3. **If this kit is being installed on a vehicle with an engine guard (except for FLHR models),** use the engine guard hardware to secure the amplifier bracket. **If NOT being installed with an engine guard,** use hardware from the kit to secure the amplifier bracket. See Figure 5.

- **For Sportster models:** Select two 3/8-16 hex head screws (9) from the kit.
 - **For Dyna models:** Select one 3/8-16 hex head screw (9) and one hex locknut (10) from the kit.
 - **For Softail models:** Select the 5/16-18 screw (11) and hex locknut (12) from the kit.
 - **For Touring models:** Select two 1/4-20 x 16 mm (0.62 in) long TORX head screws (6), two fender washers (13) and two hex locknuts (14) from the kit.
4. See Figure 1. Install the amplifier and bracket to the frame crossmember between the front down tubes as shown.
 - **For Sportster models:** Tighten the fasteners to 40.7–44.8 N·m (30–33 ft-lbs).
 - **For Dyna models:** Tighten the fasteners to 40.7–44.8 N·m (30–33 ft-lbs).
 - **For Softail models except FXCW/C (Rocker):** The amplifier bracket installs **behind** the crossbar. Tighten the fasteners to 25.8 N·m (19 ft-lbs).
 - **For FXCW/C (Rocker) models:** The amplifier bracket installs **in front of** the crossbar. Tighten the fasteners to 25.8 N·m (19 ft-lbs).
 - **For Touring models:** Tighten the fasteners to 7.4 N·m (65 in-lbs).

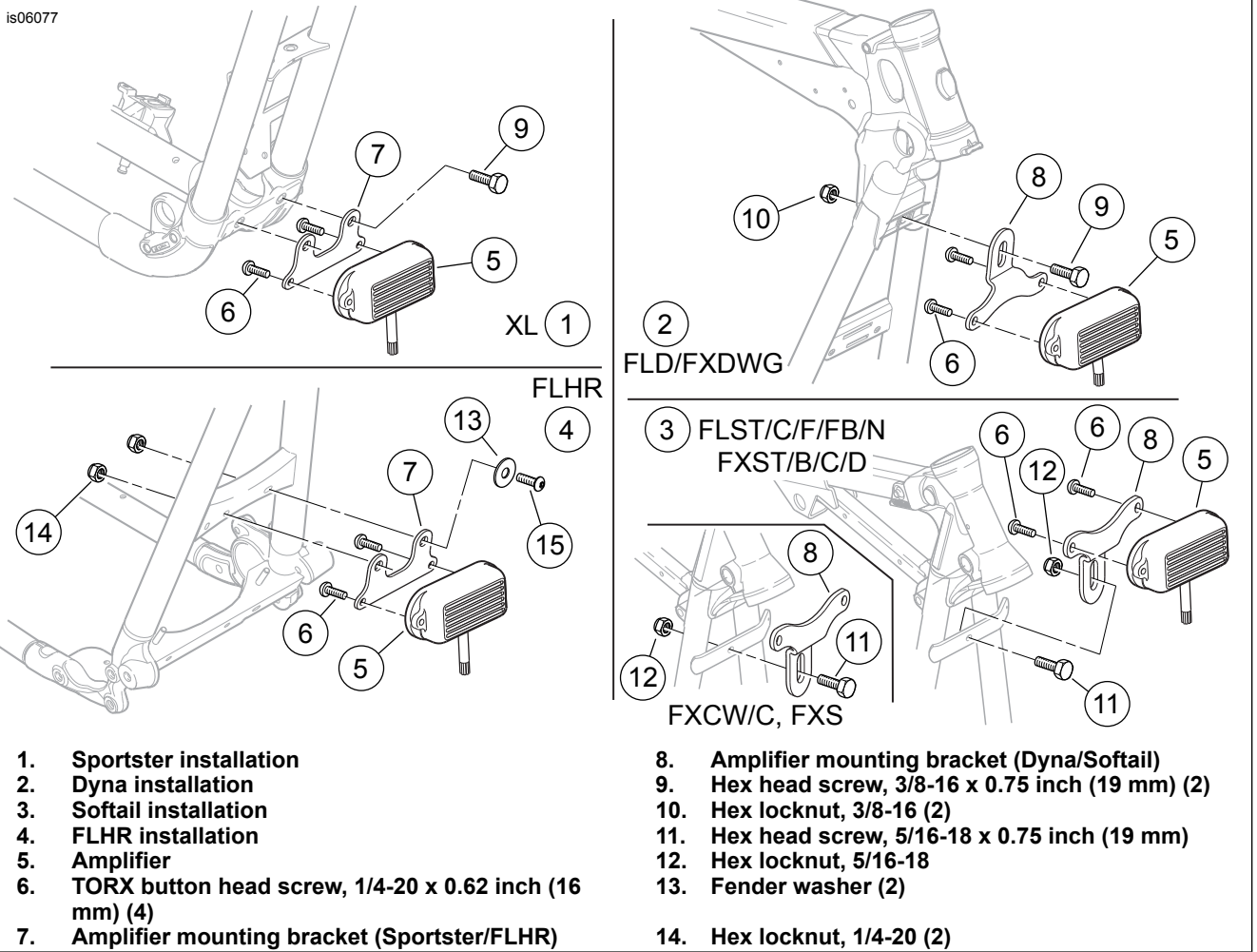


Figure 1. Amplifier and Bracket Installation

Hand Control and Bracket Installation

1. See Figure 2. Remove the front brake lever clamp screws from the vehicle. Remove and retain the clamp (1). The screws can be discarded.
2. Obtain the hand control bracket (3), two spacers (2), two #10-24 Phillips screws (6) and:
 - for **2004 and later Sportster models**: two M6 x 45 mm long hex socket button head screws (18) from the kit.
 - for **ALL OTHER models**: two 1/4-20 x 44.4 mm (1.75 in) long hex socket button head screws (18) from the kit.
3. Route the hand control (5) wire harness through the center of the hand control bracket (3) as shown.
4. Position the spacers into the clamp mounting cutouts, and place the hand control bracket onto the spacers. Install the clamp, spacers and bracket to the brake master cylinder with the two screws. Tighten the screws to:
 - for **2004 and later Sportster models**: 12.2–14.9 N·m (108–132 in-lbs).
 - for **ALL OTHER models**: 6.8–9.1 N·m (60–80 in-lbs).
5. Install the hand control (5, part of the wire harness assembly) to the bracket with the #10-24 screws (6), and tighten securely.
6. Use cable straps from the electrical hardware pack to secure the wiring to the existing hand control wiring.

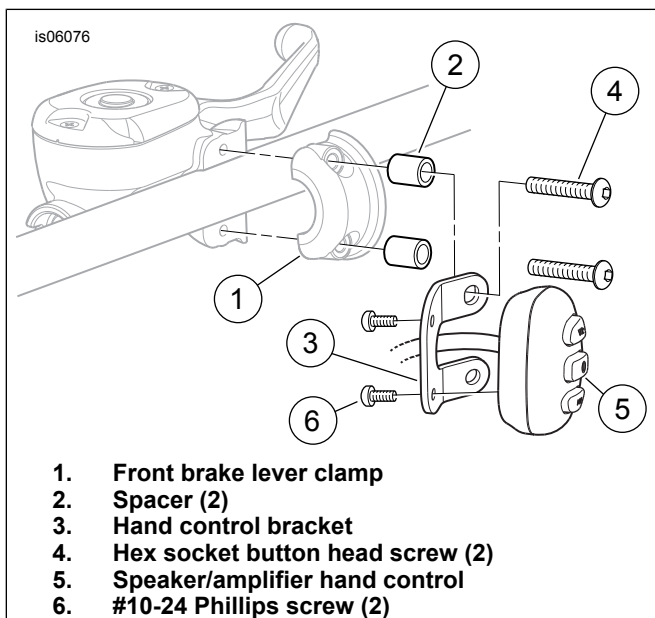


Figure 2. Hand Control and Bracket Installation

Speaker Installation

NOTE

Test-fit to determine the desired location for the speakers on the handlebar.

Both speaker pods are wired together with a single electrical connector. Do not separate for test-fit or installation.

- The speaker clamps shall be positioned so the speakers are above the bar. The speakers should appear symmetrical to the left and right of the handlebar clamp, and should be placed as close to the center of the motorcycle as possible.

- The upper clamps can be positioned so the speaker mounts are in front of or behind the bar.
- If the vehicle is normally equipped with a windshield, locate the clamps on the middle straight section of the bar so the speaker housings will clear the windshield.
- The Bar & Shield trim badges on the speaker faces can be rotated to the desired orientation after installation by pushing with two fingers and turning.
- Check to be sure speaker and clamp positioning will not interfere with steering function, control operation or visibility of instruments.

1. See Figure 3. Obtain the following items from the kit:

- speaker pod assembly (1)
- two upper handlebar clamps (2)
- two lower handlebar clamps (3)
- four spacers (4)
- four 1/4-20 x 19 mm (0.75 in) long TORX screws (5)
- two 3/8-16 x 19 mm (0.75 in) long hex head screws (6)

If mounting to 31.8 mm (1 1/4 in) diameter handlebars, the spacers can be discarded.

NOTE

Insert the spacers inside the clamps for vehicles with 25.4 mm (1.0 in) diameter handlebars. Be sure the spacers seat in the recesses (7) inside the clamps.

2. Secure each speaker clamp pair to the handlebar with two TORX screws (5), and tighten to 6.8 N·m (60 in-lbs)
3. Position a speaker pod, oriented with the speaker grille facing the rider as directly as possible, onto each upper clamp. Secure each speaker pod to the upper clamp with a hex head screw (6). Tighten the screw to 16.3–19 N·m (12–14 ft-lbs).

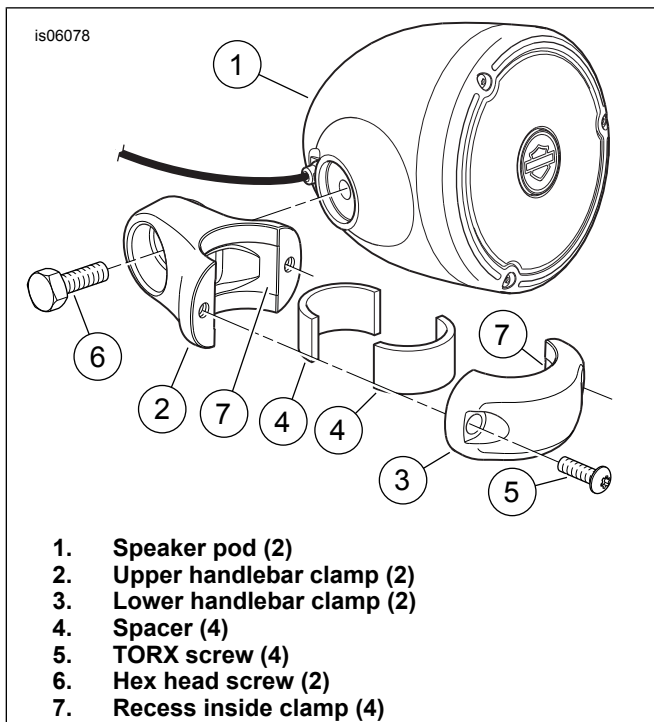


Figure 3. Handlebar-Mounted Speaker Installation

Wire Harness Connection

General

Splicing of wire leads is necessary in the installation of the speaker and amplifier kit to the motorcycle. Find the instructions for a specific model in the sections that follow, and refer to the service manual appendix for proper wire splicing procedures.

⚠ WARNING

Be sure to follow manufacturer's instructions when using the UltraTorch UT-100 or any other radiant heating device. Failure to follow manufacturer's instructions can cause a fire, which could result in death or serious injury. (00335a)

- Avoid directing heat toward any fuel system component. Extreme heat can cause fuel ignition/explosion resulting in death or serious injury.
- Avoid directing heat toward any electrical system component other than the connectors on which heat shrink work is being performed.
- Always keep hands away from tool tip area and heat shrink attachment.

For 2011 and later Softail models: Proceed to the next section.

For ALL OTHER models: Proceed to **THAT** section.

For 2011 and Later Softail Models

NOTE

Requires separate purchase of Electrical Connection Kit (H-D Part No. 72673-11).

1. Install the Electrical Connection Kit per the instructions in **that** kit:
 - a. Locate the Digital Technician connector [91A] under the seat. Place the Electrical Connection Harness at the Digital Technician connector, but **DO NOT** connect them at this time.
 - b. Route the speaker and amplifier wires over to the Electrical Connection Harness. Cut the speaker and amplifier wires to a suitable length to easily reach the sealed splice connectors on the Electrical Connection Harness.
 - c. Splice the orange/white speaker and amplifier wire to the **red/yellow** wires in the Electrical Connection Harness.
 - d. Splice the black speaker and amplifier wire to the **black** wires in the Electrical Connection Harness.
 - e. Splice the red speaker and amplifier wire to the **red/blue** wires in the Electrical Connection Harness.
 - f. Use a heat gun or suitable radiant-heating device to shrink the connector to the wires.
 - g. Pull the rubber boot out from the gray Digital Technician pin connector [91A].
 - h. Connect the socket housing of the Electrical Connection Harness to connector [91A].
 - i. Insert the rubber boot into the open pin connector of the Electrical Connection Harness.
 - j. Proceed to **WIRE ROUTING**.

For ALL OTHER Models

1. See Figure 5. Get the electrical hardware pack (22) from the kit. Select the in-line fuse holder (23) and one blue sealed splice connector (28) from the hardware pack.
2. Cut the **orange/white** wire in the main electrical harness near the rear lighting connector [7A]. Splice the two cut orange/white wires to the free end of the **orange/white** wire in the **amplifier/hand control/wire harness assembly** per the instructions in the service manual appendix. Use a heat gun or suitable radiant-heating device to shrink the sealed splice connector to all three wires.
3. Use a heat gun or suitable radiant-heating device to shrink the sealed splice connectors to the wires.
4. Select the free end of the **red** wire in the wire harness assembly. Get two blue sealed splice connectors (28) and the 12V adapter wire (25) from the hardware pack. Splice the in-line fuse holder to the red wire per the instructions in the service manual. Splice the adapter wire to the opposite end of the in-line fuse holder.
5. See Figure 4. Locate the B+ (battery positive) connector (1) on the main electrical harness under the seat (a red wire with an unused gray connector). Remove the cover (2) from the B+ connector. Mate the **red** power wire connector on the wire harness assembly to the B+ connector.

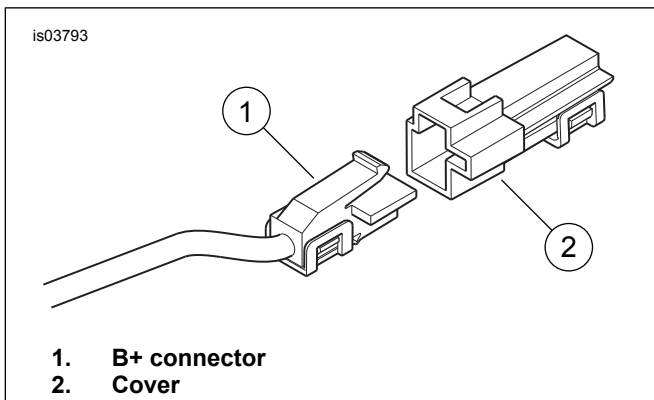


Figure 4. B+ Connector

6. Select a ring terminal from the electrical hardware pack.
 - **Dyna models:** use the 7.9 mm (5/16 in) ID terminal (27).
 - **All models EXCEPT Dyna:** use the 6.4 mm (1/4 in) ID terminal (26).
7. Select the free end of the **black** wire in the wire harness assembly. Cut the black wire to easily reach the location of the vehicle ground. Crimp the ring terminal to the black wire per the instructions in the service manual.
8. Attach the black wire ring terminal to the vehicle ground stud.

Wire Routing

1. Use cable straps (29) from the electrical hardware pack to secure the amplifier wiring to the frame downtube. **For FLHR models:** Use the existing P-clamp on the left side of the frame near the steering head to secure the amplifier wiring.

⚠ WARNING

Be sure that steering is smooth and free without interference. Interference with steering could result in loss of vehicle control and death or serious injury. (00371a)

- Make sure the wires do not restrict steering movement.
 - Route the wires along the frame backbone under the tank and tie to existing wire bundles with cable straps, especially at any change in direction.
10. Coil excess wire under the fuel tank, inside the nacelle or under the handlebar clamp where it will not interfere with steering function. Install the 5A fuse (24) in the in-line fuse holder on the red wire.
 11. Lay the harness along the frame backbone, under the fuel tank and seat, with the four-way connector positioned near the steering head. The connector may be placed inside the nacelle (FLHR/C/S models) or handlebar clamp.
 12. Mate the four-way connector from the speaker pods to the four way connector on the wire harness assembly.
 13. See Figure 5. The 3.5 mm connector from the hand control can be secured to the handlebar with cable straps or secured to the upper triple clamp or nacelle with the adhesive-backed clip (21) from the kit. If using the clip:
 - a. Ambient temperature should be **at least** 16 °C (60 °F) for proper adhesion of the clip to the vehicle.

- b. Test-fit the clip to the upper triple clamp or nacelle before installation. Do not remove the liner until ready to apply the clip.

14. Clean the clip mounting area with a mixture of 50-70% isopropyl alcohol and 30-50% distilled water. Allow to dry thoroughly. Remove the liner from the adhesive backing of the clip. Carefully position the clip to the upper triple clamp or nacelle, and press firmly into place. Hold the clip in position with steady pressure for a few seconds.

NOTE

Allow AT LEAST 24 hours after applying the clip before exposing the area to vigorous washing, strong water spray or extreme weather.

The adhesive bond will increase to maximum strength after about 72 hours at normal room temperature.

15. Secure the 3.5 mm connector from the hand control to the clip.

Return to Service

1. **For FLHR/C/S (Road King) models only:** Assemble the left and right nacelle halves per the instructions in the service manual. Assemble the handlebar cover to the vehicle. **For 2011 and later Softail models only:** Install the split conduit (30) over the brake line where it passes closest to the amplifier.
2. **ALL models:** Install the fuel tank to the vehicle per the instructions in the service manual.
3. Install the windshield (if equipped) to the vehicle per the instructions in the service manual or accessory kit. Be sure to protect the windshield from scratches during installation.

⚠ WARNING

Be sure that steering is smooth and free without interference. Interference with steering could result in loss of vehicle control and death or serious injury. (00371a)

4. Check to be sure the speaker pods will not interfere with steering function, controls operation or visibility of instruments.

NOTE

Verify that the ignition key switch is in the OFF position before installing the main fuse or attaching the battery cable.

5. **Models with main fuse:** Refer to the service manual and follow the instructions to install the main fuse. **Models with main circuit breaker:** Refer to the service manual and follow the instructions to attach the negative battery cable. Apply a light coat of Harley-Davidson electrical contact lubricant (H-D Part No. 99861-02), petroleum jelly or corrosion retardant material to the negative battery terminal.

⚠ WARNING

After installing seat, pull upward on seat to be sure it is locked in position. While riding, a loose seat can shift causing loss of control, which could result in death or serious injury. (00070b)

6. **ALL models:** Refer to the service manual, and follow instructions to install the seat.
7. Turn the ignition key switch to IGNITION, but do not start the motorcycle.
8. Connect the audio input cable (20) from the kit to the female 3.5mm stereo connector from the hand control.
9. Connect the free end of the audio input cable to the headphone jack (or line out) of the audio device (MP3 player or similar device, purchased separately).
 - a. Turn the device on. Set the device volume output at 75-80 percent of maximum.
 - b. Turn the amp on using the hand control on/off push button switch. The switch will illuminate when power is on.
 - c. Use the handlebar control to adjust the volume level. VOL+ increases the volume. VOL- decreases the volume.
 - d. The amp and speakers can be operated with the ignition switch in either the "ACC" or "IGNITION" position.

NOTE

*DO NOT secure an MP3 player or similar device with a **hard drive memory** on or to the vehicle.*

SERVICE PARTS

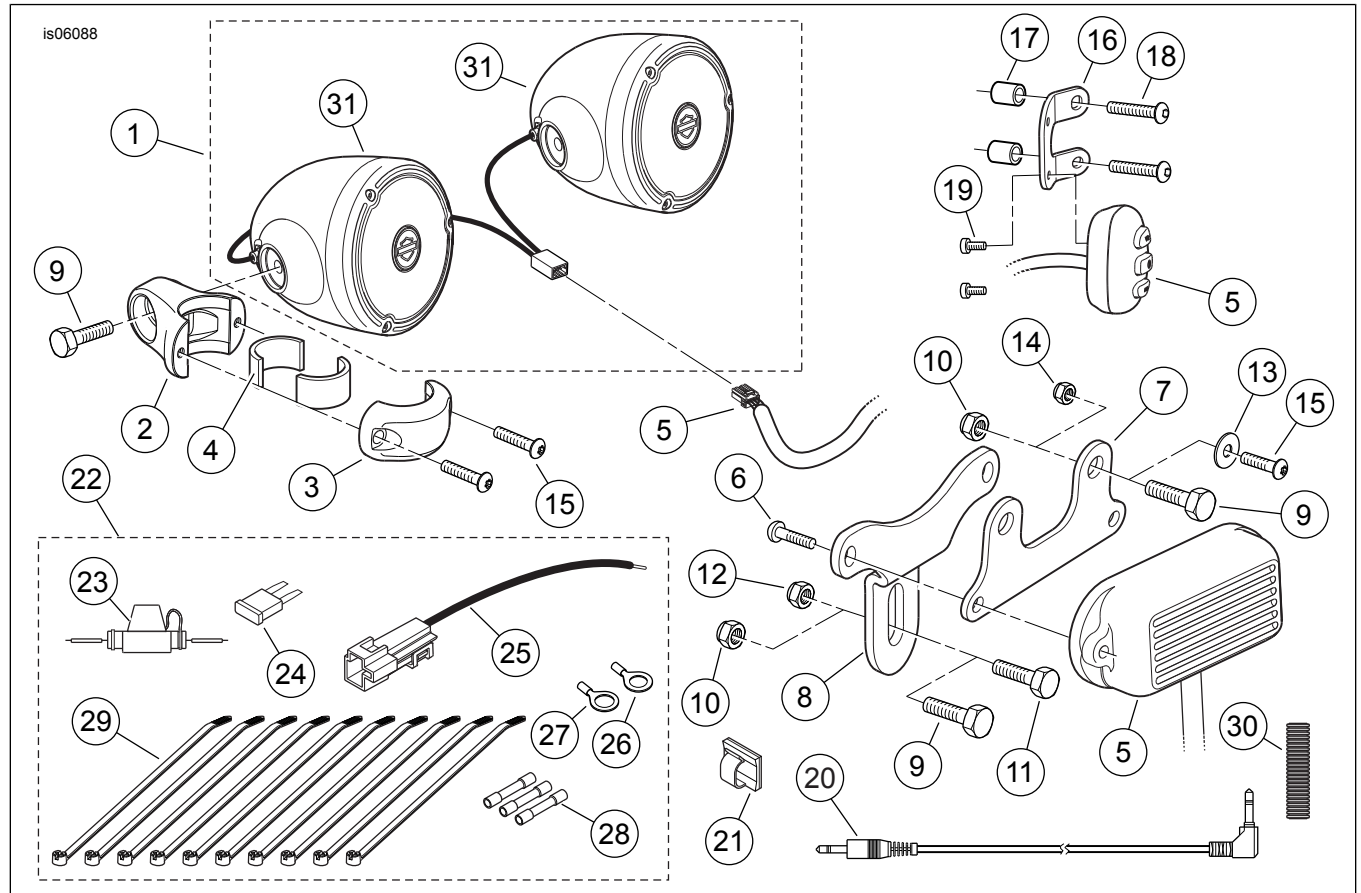


Figure 5. Service Parts, Handlebar-Mounted Speaker and Amplifier Kits

SERVICE PARTS

Table 1. Service Parts

Kit	Item	Description (Quantity)	Part Number
Kit 76262-08	1	Speaker pod assembly (chrome)(includes two of item 30)	76223-08
Handlebar-Mounted Speaker/Amplifier Kit (Chrome)	2	Speaker clamp, handlebar (upper, chrome)(2)	Not sold separately
	3	Speaker clamp, handlebar (lower, chrome)(2)	Not sold separately
Kit 76320-08	1	Speaker pod assembly (black)(includes two of item 30)	76225-08
Handlebar-Mounted Speaker/Amplifier Kit (Black)	2	Speaker clamp, handlebar (upper, black)(2)	Not sold separately
	3	Speaker clamp, handlebar (lower, black)(2)	Not sold separately

Table 1. Service Parts

Kit	Item	Description (Quantity)	Part Number	
Items common to BOTH kits	4	Spacer, handlebar speaker housing (4)	Not sold separately	
	5	Amplifier/hand control/wire harness assembly	Not sold separately	
	6	Screw, button head, TORX, 1/4-20 x 16 mm (0.62 in) long (4)	925	
	7	Bracket, amplifier mounting (Sportster and Touring models)	Not sold separately	
	8	Bracket, amplifier mounting (Dyna and Softail models)	Not sold separately	
	9	Cap screw, hex head, 3/8-16 x 19 mm (0.75 in) long (4)	4713W	
	10	Hex locknut, 3/8-16 Nylock (2)	7778	
	11	Cap screw, hex head, 5/16-18 x 19 mm (0.75 in) long	3987	
	12	Hex locknut, 5/16-18 Nylock	7739	
	13	Fender washer, M6 (2)	6914M	
	14	Hex locknut, 1/4-20 Nylock (2)	7686	
	15	Screw, button head, TORX, 1/4-20 x 19 mm (0.75 in) long (6)	923	
	16	Bracket, hand control	Not sold separately	
	17	Spacer, hand control mounting (2)	Not sold separately	
	18	Cap screw, hex socket, button head, M6 x 45 mm long (2) (for Sportster) 1/4-20 x 44.4 mm (1.75 in) long (2) (for ALL OTHER models)	Not sold separately 3129	
	19	Cap screw, button head, Phillips, #10-24 x 13 mm (0.5 in) long (2)	Not sold separately	
	20	Audio input cable	92383-09	
	21	Clip, adhesive backed	10325	
	22	Electrical hardware pack (includes items 23 through 29)	76173-08	
	23	• In-line fuse holder	70306-02	
	24	• Fuse, blade type, 5A (light tan)	72331-95	
	25	• Adapter wire, 12 V positive	76204-03	
	26	• Ring terminal, #18-22 AWG (6.4 mm (1/4 in) stud)	9858	
	27	• Ring terminal, #18-22 AWG (7.9 mm (5/16 in) stud)	9859	
	28	• Sealed splice connector, #14-16 AWG (blue) (3)	70586-93	
	29	• Cable strap (10)	10006	
	30	Conduit, split loom, convoluted 6.4 x 127 mm (x in) long	62519-03	
	Service parts for speaker pod assembly:			
		31	Speaker pod (chrome) (2) Speaker pod (black) (2)	76223-08 76225-08