



# INSTRUCTIONS

J04806

2013-02-01



## FLAT LENS LED FRONT TURN SIGNAL LAMP KITS

### GENERAL

#### Kit Numbers

68411-10, 68435-10

#### Models

For model fitment information, see the P&A retail catalog or the Parts and Accessories section of [www.harley-davidson.com](http://www.harley-davidson.com) (English only).

#### Installation Requirements

A SNAP-ON PICK (PART NUMBER: TT600-3) will aid in the installation of this kit.

#### ⚠ WARNING

Rider and passenger safety depend upon the correct installation of this kit. Use the appropriate service manual procedures. If the procedure is not within your capabilities or you do not have the correct tools, have a Harley-Davidson dealer perform the installation. Improper installation of this kit could result in death or serious injury. (00333b)

#### NOTE

This instruction sheet refers to service manual information. A service manual for this year/model motorcycle is required for this installation and is available from a Harley-Davidson dealer.

#### Electrical Overload

This Flat Lens LED Front Turn Signal Lamp Kit takes no more current than an original equipment (OE) flat lens front turn signal lamp circuit.

#### Kit Contents

See Figure 1, Table 1 and Table 2.

#### PREPARATION

#### NOTE

**For vehicles equipped with security siren:**

- **2007 and later:** Verify that the Hands-Free Fob is present. Turn the ignition key switch to IGNITION.
- **2006 and earlier:** Disarm the siren with the key fob.

#### For Vehicles With Main Fuse:

#### ⚠ WARNING

To prevent accidental vehicle start-up, which could cause death or serious injury, remove main fuse before proceeding. (00251b)

1. See the service manual and remove the main fuse.

#### For Vehicles With Main Circuit Breaker:

#### ⚠ WARNING

To prevent accidental vehicle start-up, which could cause death or serious injury, disconnect negative (-) battery cable before proceeding. (00048a)

1. See the service manual to remove the seat and disconnect the negative (black) battery cable from the negative battery terminal. Retain all seat mounting hardware.
2. **For ALL models:** Turn the ignition key switch OFF if not already done.

#### INSTALLATION

#### NOTE

- Before disconnecting the front turn signal lamp wiring, note the wire routing and location of any cable straps.
- Note the wire colors and positions in each cavity of the socket housings leading from the OE front turn signal lamps. Refer to the service manual.
- Installation procedures for LED lamps are the same as for OE lamps except the lamp wire terminals are inserted into **new** socket housings from the kit.
- **FLHT models, 2006 and later with auxiliary lamps:** Remove the auxiliary lamp gray/black wire and terminal from cavity 4 of each OE front turn signal lamp socket housing. Install the wire into cavity 4 of each **new** four-way socket housing (3) from the kit.

1. See the service manual and follow the correct model instructions to remove the front turn signal lamps.
2. Follow the service manual instructions to install the **new** LED front turn signal lamps.
3. Peel the liner from the adhesive backing of one of the Bar & Shield emblems (2) from the kit. Orient the emblem with the logo upright, and carefully position the emblem to the recessed area in the center of the turn signal lens. Press firmly into place, verifying that the edge is securely fastened all around. Repeat for the remaining turn signal.

#### NOTE

Allow AT LEAST 24 hours after applying the emblem before exposing the area to vigorous washing, strong water spray or extreme weather.

#### COMPLETION

#### NOTE

Verify that the ignition key switch is in the OFF position **before** installing the main fuse or attaching the negative battery cable.



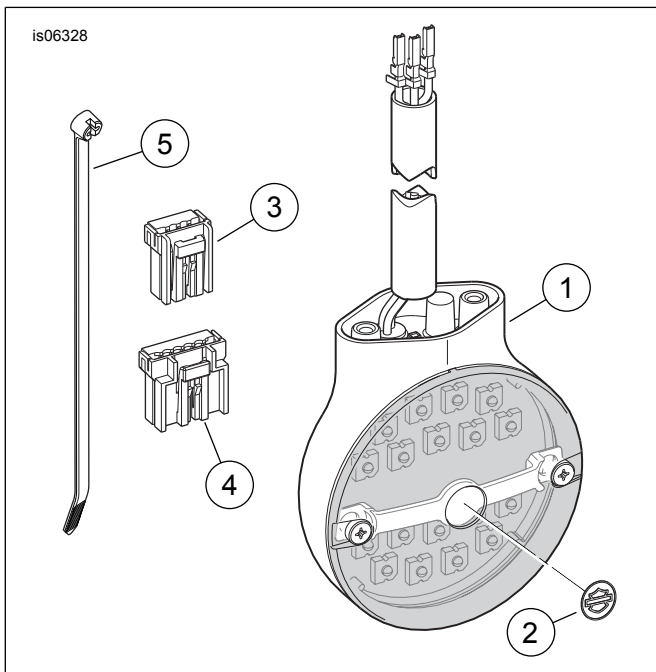
1. **Models with main fuse:** See the service manual and install the main fuse. **Models with main circuit breaker:** See the service manual and attach the negative battery cable. Apply a light coat of Harley-Davidson electrical contact lubricant (Part No. 99861-02), petroleum jelly or corrosion retardant material to the negative battery terminal.
2. Turn the ignition key switch to IGNITION, but do not start the motorcycle. Test for proper turn signal lamp operation.

**⚠ WARNING**

After installing seat, pull upward on seat to be sure it is locked in position. While riding, a loose seat can shift causing loss of control, which could result in death or serious injury. (00070b)

3. **For ALL models:** See the service manual and install the seat.

**SERVICE PARTS**



**Figure 1. Service Parts, Flat Lens LED Front Turn Signal Lamp Kits**

**Table 1. Service Parts, Kit 68411-10 (Amber Lens)**

Item	Description (Quantity)	Part Number
1	Front turn signal lamp, flat lens, amber, LED (2)	68503-10
2	Emblem, Bar & Shield logo (2)	Not sold separately
3	Socket housing, four-way (2) (For 2006 and later FLHT models)	73154-96BK
4	Socket housing, six-way (For 2001-2005 FLHT models) (For 2001+ FLHR/FLSTC models)	73156-96BK
5	Cable strap (8)	10065

**Table 2. Service Parts, Kit 68435-10 (Smoked Lens)**

Item	Description (Quantity)	Part Number
1	Front turn signal lamp, flat lens, smoked, LED (2)	68576-10
2	Emblem, Bar & Shield logo (2)	Not sold separately
3	Socket housing, four-way (2) (For 2006 and later FLHT models)	73154-96BK
4	Socket housing, six-way (For 2001-2005 FLHT models) (For 2001+ FLHR/FLSTC models)	73156-96BK
5	Cable strap (8)	10065